

Cross Section Drawing
Aluminum Muller Triple Awning Window
1 3/8" Nailfin Setback Frame

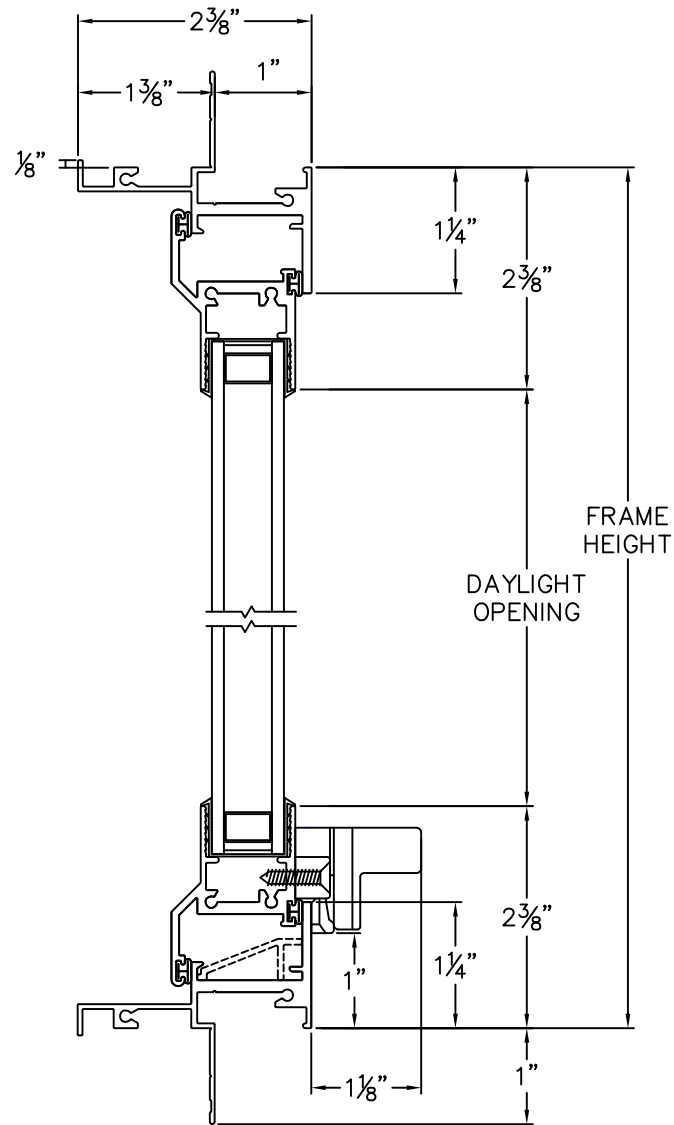


Clearly the best.™

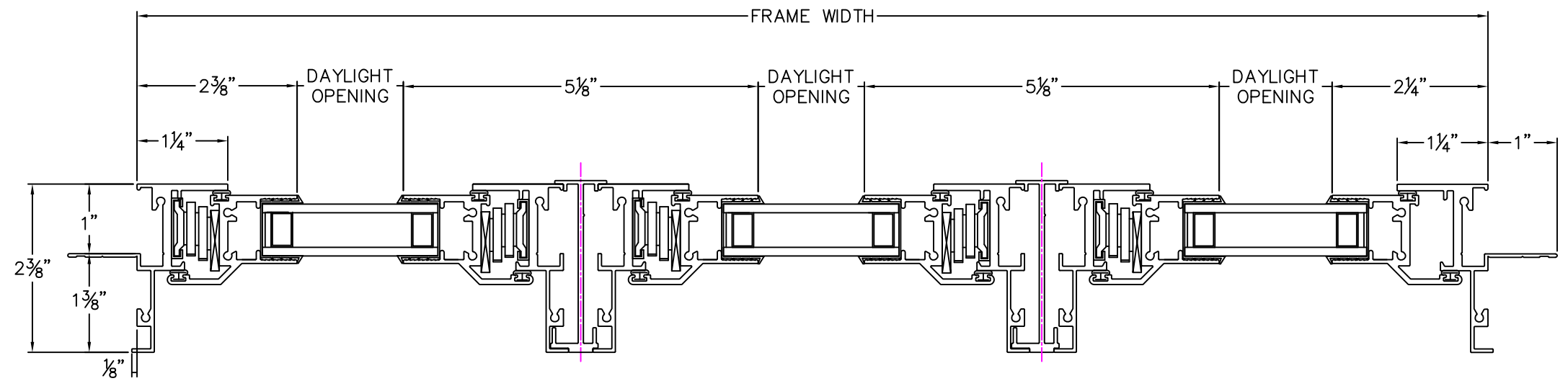
CAD File Scale	View	File Name	Units
NTS	Horizontal & Vertical	Aluminum 910S Triple Awning 1.375in Muller Push Open	Inch

More Technical Documents can be found at milgard.com/professionals
Due to continual research and development, details may be changed at any time. ©2013 Milgard Mfg.

AWNING - PUSH OUT
SERIES 910S



HEAD & SILL



JAMBS