

Cross Section Drawing

Aluminum Double Casement Window 1 1/16" Fin Set Back



Clearly the best.™

CAD File Scale
NTS

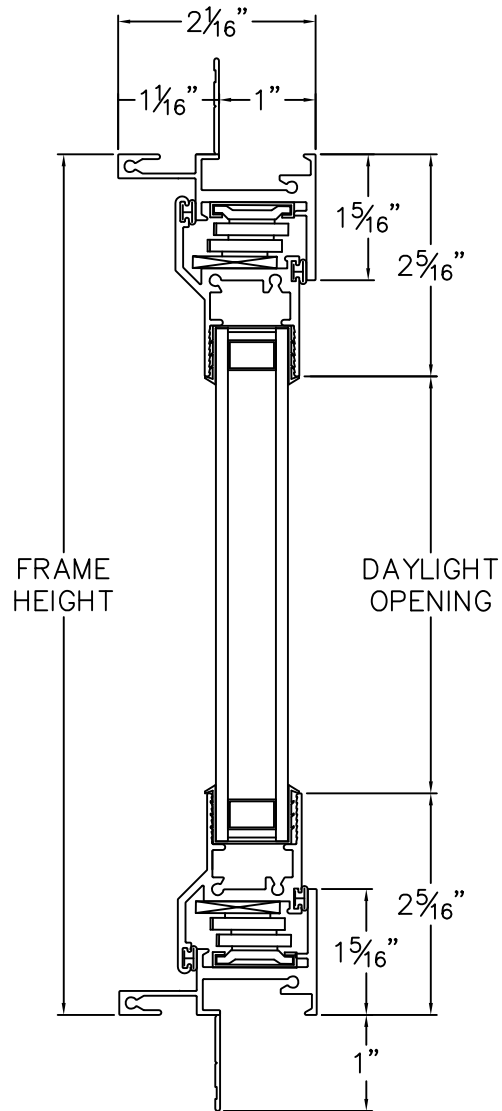
View
Horizontal & Vertical

File Name
Aluminum_910C_DC_1in_push-open

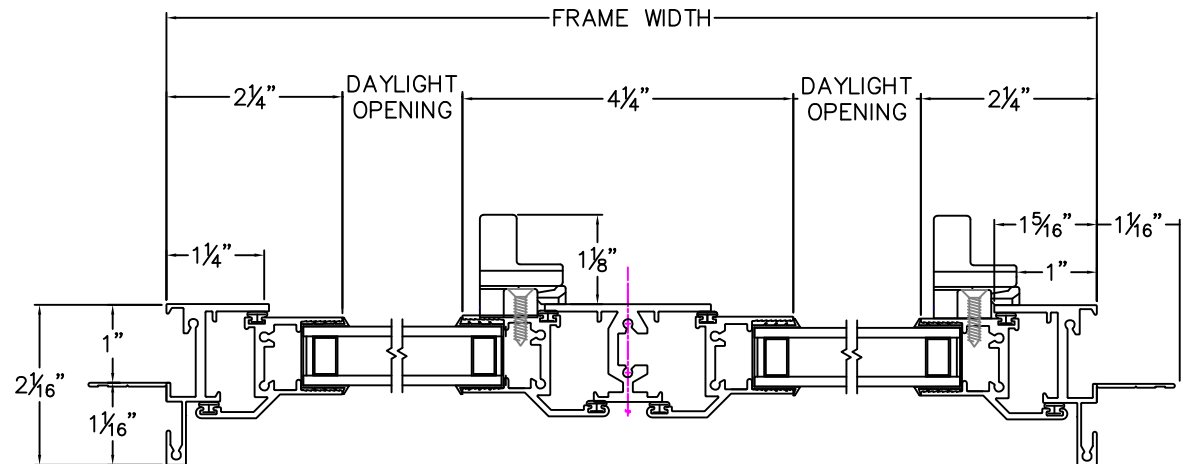
Units
Inch

More Technical Documents can be found at milgard.com/professionals
Due to continual research and development, details may be changed at any time. ©2013 Milgard Mfg.

CASEMENT - PUSH OPEN SERIES 910C



HEAD & SILL



JAMBS