

# Cross Section Drawing

## Aluminum Half Vent Picture Window 1" Nailfin Setback Frame



Clearly the best.™

CAD File Scale  
NTS

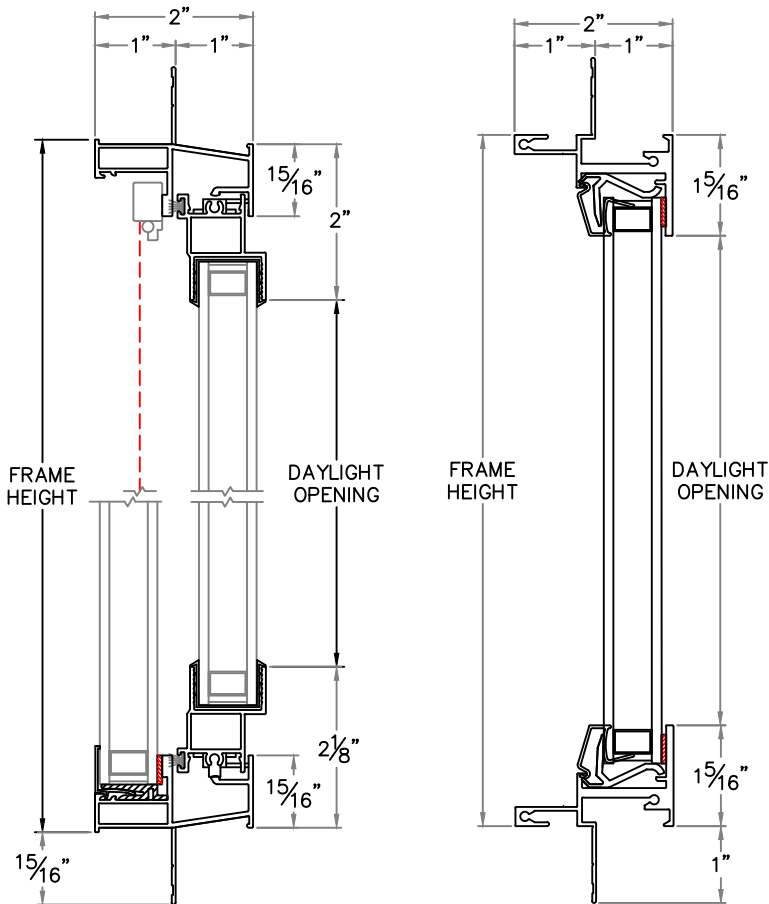
View  
Horizontal & Vertical

File Name  
Aluminum\_1110C\_HVPW\_1in

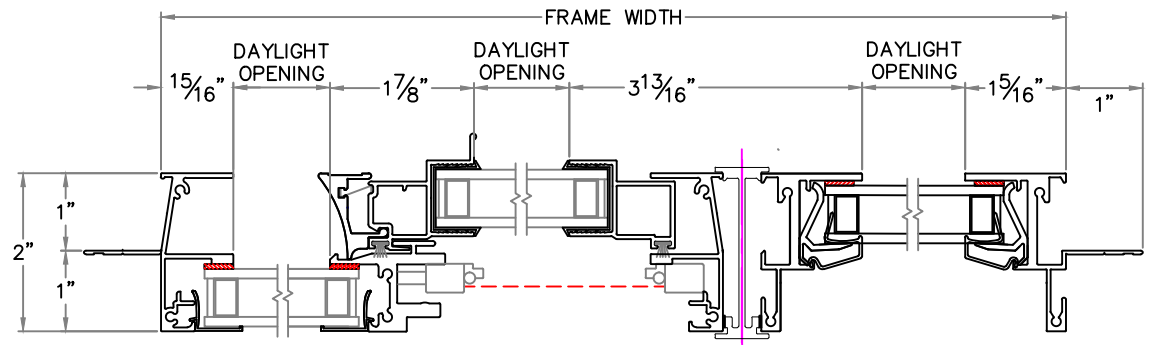
Units  
Inch

More Technical Documents can be found at [milgard.com/professionals](http://milgard.com/professionals)  
Due to continual research and development, details may be changed at any time. ©2013 Milgard Mfg.

### HORIZONTAL SLIDER SERIES 1110C



HEAD & SILL



JAMBS