

Cross Section Drawing

Aluminum Horizontal Slider Window Z-bar



Clearly the best.™

CAD File Scale
NTS

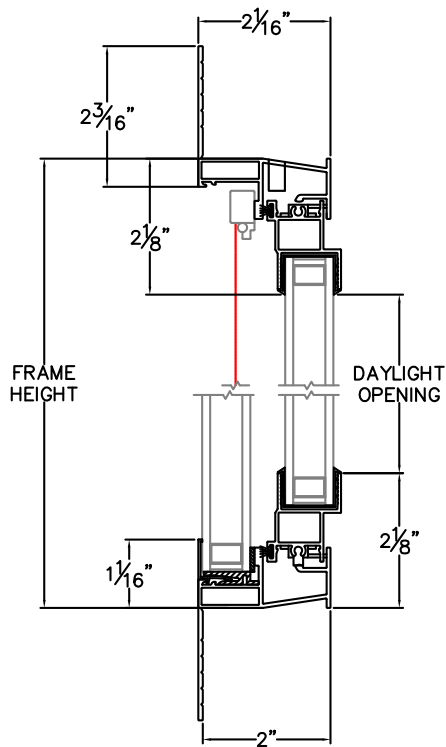
View
Horizontal & Vertical

File Name
Aluminum_1280_HV_zbar

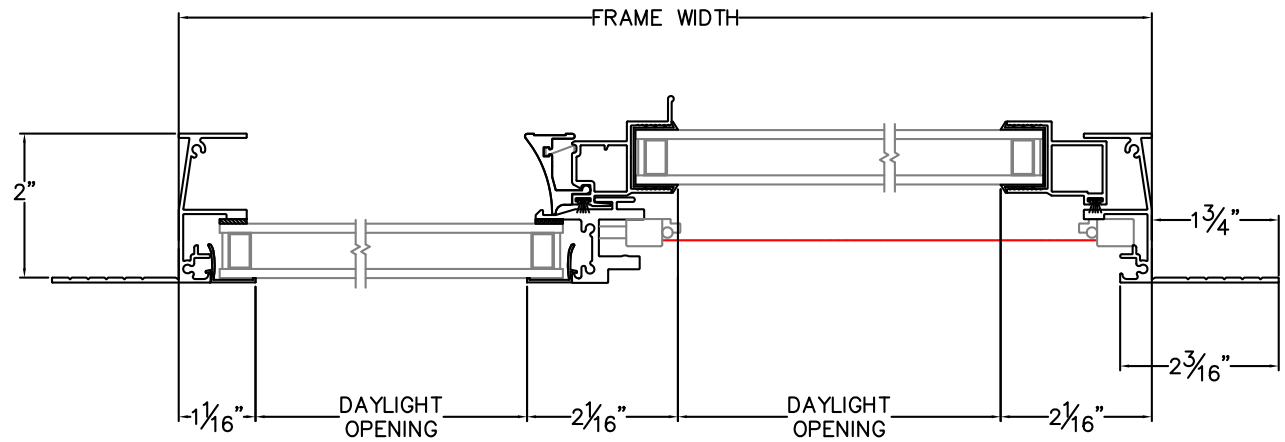
Units
Inch

More Technical Documents can be found at milgard.com/professionals
Due to continual research and development, details may be changed at any time. ©2013 Milgard Mfg.

HORIZONTAL SLIDER SERIES 1280



HEAD & SILL



JAMBS