

## Cross Section Drawing

# Three Panel Aluminum Pocket Door (3XP or P3X, 10068) Water Barrier Sill, No Screen



CAD File Scale  
NTS

View  
Horizontal & Vertical

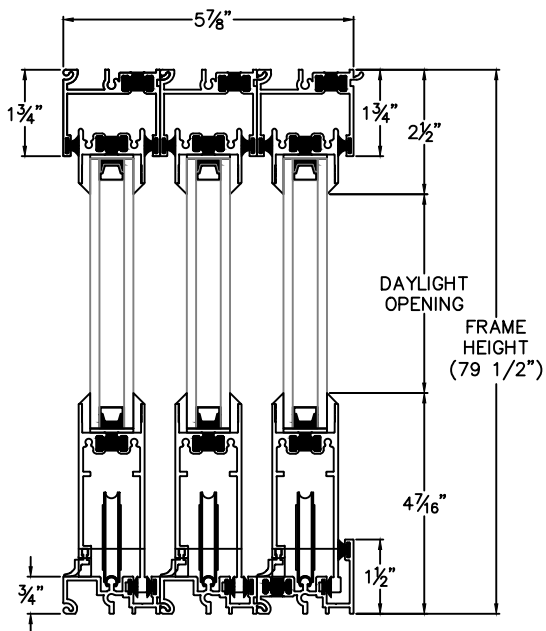
File Name  
600MSP-3XP-10068-WBS PD

Units  
Inch

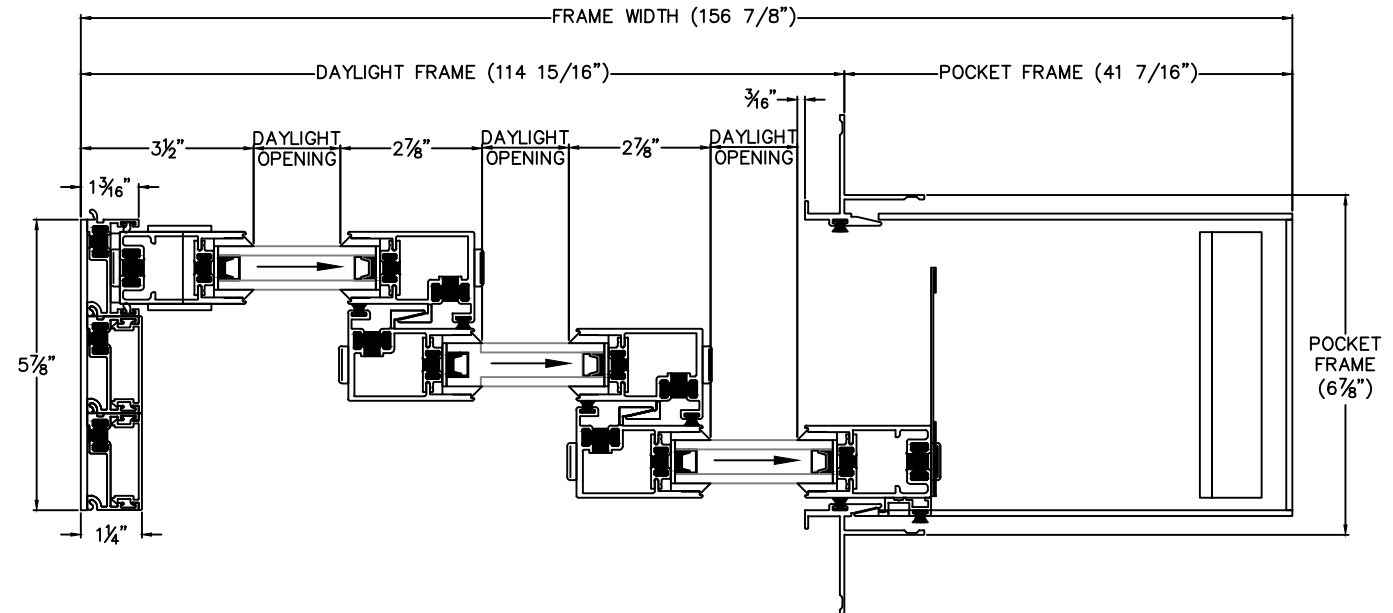
More Technical Documents can be found at [milgard.com/professionals](http://milgard.com/professionals)  
Due to continual research and development, details may be changed at any time. ©2014 Milgard Mfg.

## POCKET DOOR SERIES 600

Configuration 3XP shown  
Configuration P3X also available



HEAD & SILL



JAMBS