

Cross Section Drawing

Aluminum Single Hung 1 5/16" Nailfin Setback Frame

CAD File Scale
NTS

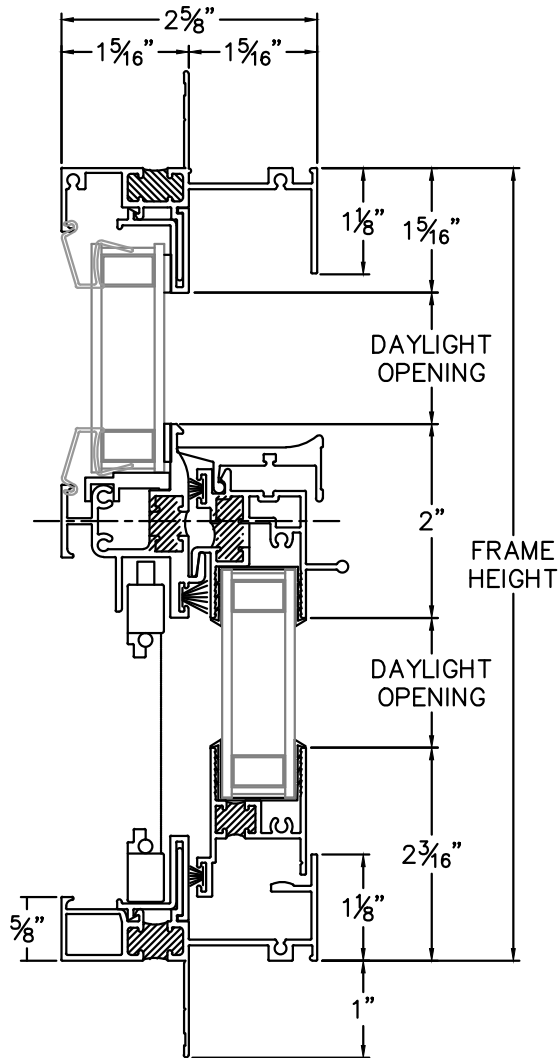
View
Horizontal & Vertical

File Name
Aluminum_TIE_1520_SH_1.375in

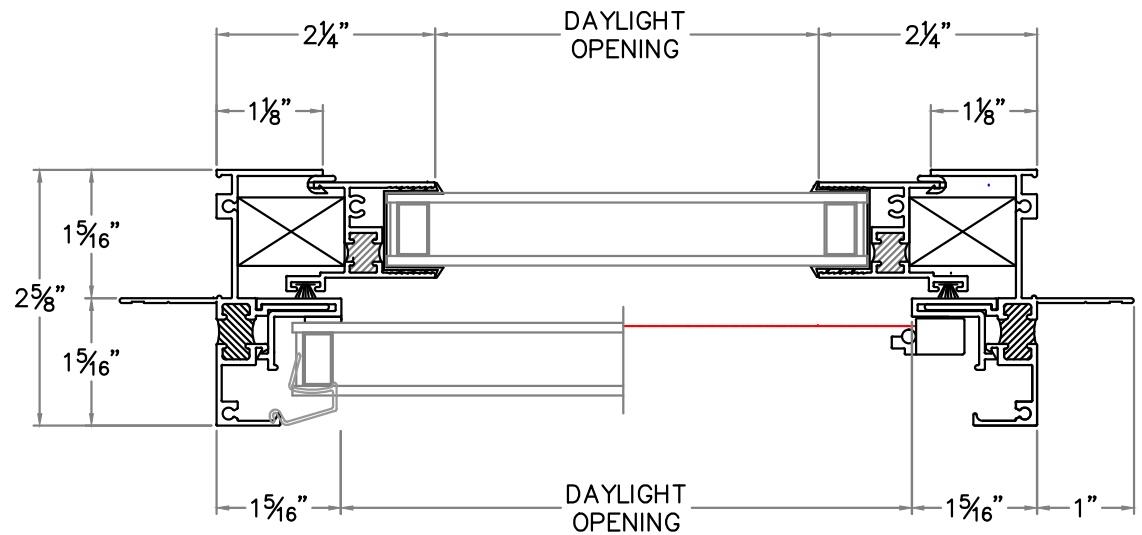
Units
Inch

More Technical Documents can be found at milgard.com/professionals
Due to continual research and development, details may be changed at any time. ©2013 Milgard Mfg.

HORIZONTAL SLIDER SERIES 1520



HEAD & SILL



JAMBS