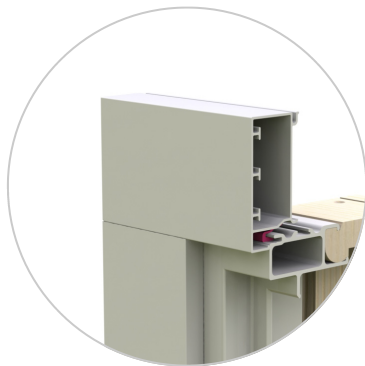




Clearly the best.®

Flat Casing for an Integral Door

Installation Instructions



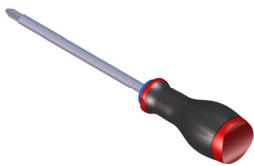
Integral Flat Casing

For Milgard Essence Series® Windows and Doors

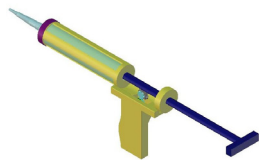
- Install Door or Transom per Section 9 of ASTM E2112-07 installation standard.
- Prepare Rough Opening per Door Installation Instructions.
- Read all Instructions before beginning installation.
- Milgard Integral Flat Casing is part of the Door Assembly.
- Use exterior grade high quality sealants. For compatible TiteBond® Sealant colors refer to page 29.

Required Tools

Screwdriver with #2 Phillips bit

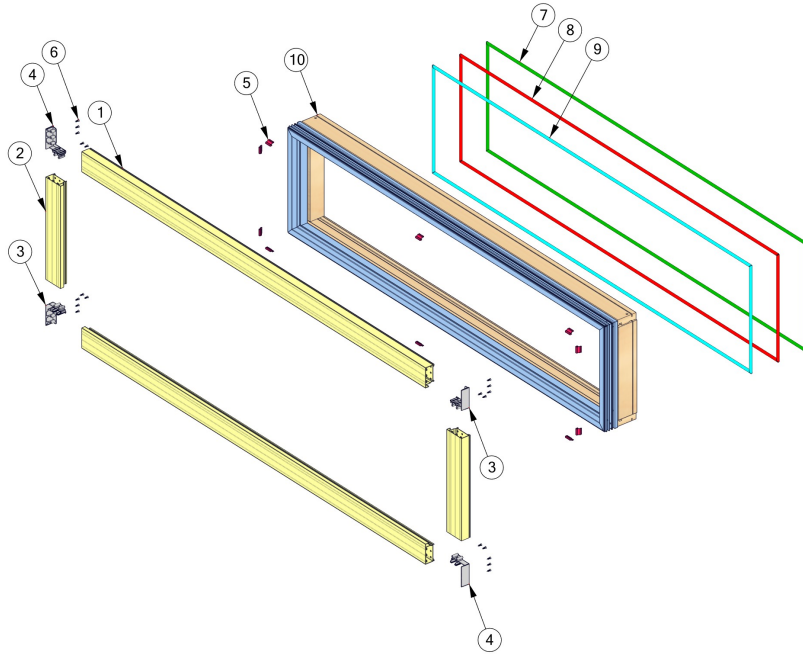


Caulking Gun



Integral Flat Casing Parts

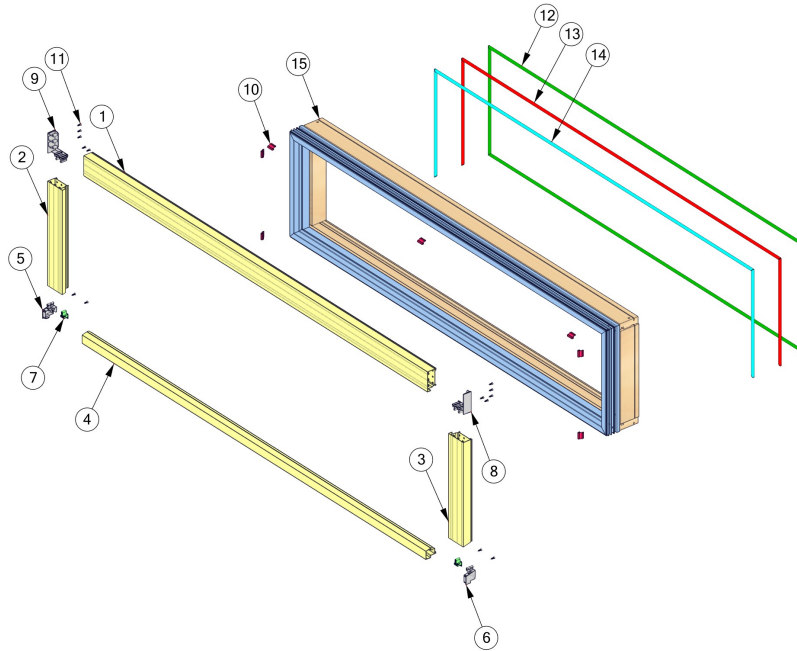
Flat Casing All Sides - Butt Joint



PART	DESCRIPTION	PART NUMBER
1	FLAT CASING - HEADER / SILL	EX7818XX
2	FLAT CASING - LEG	EX7818XX
3	CORNER KEY CAP - LEFT	IM7973MI
4	CORNER KEY CAP - RIGHT	IM7972MI
5	TRIM CLIP	HA7826MI
6	#8-5/8" FLAT HEAD SS SCREW	FA0442SS
7	INNER GASKET	SE7670FMGY
8	MIDDLE GASKET	SE7670FMGY
9	OUTER GASKET	SE7670FMGY
10	(TRANSOM FRAME)	VARIES

Integral Flat Casing Parts Continued

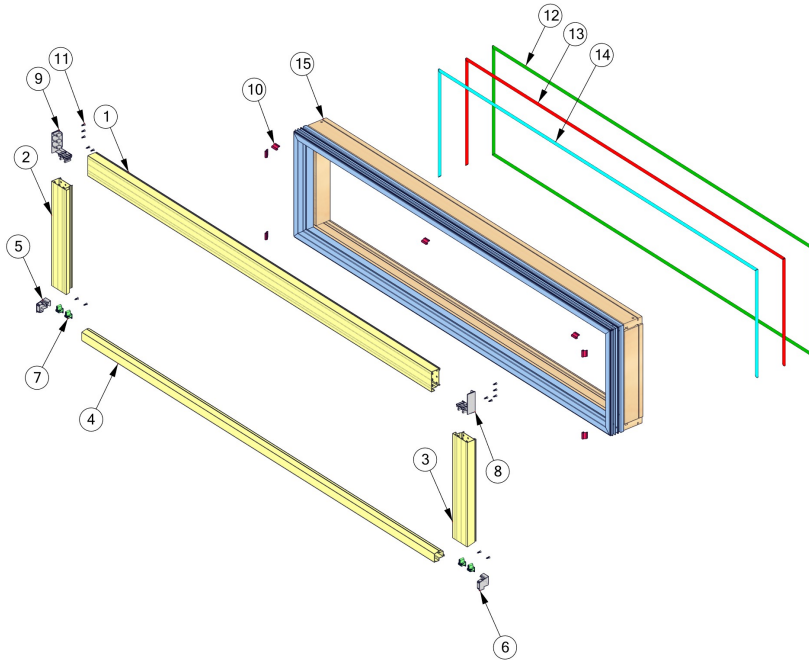
Flat Casing with Sill Nose Flush - Butt Joint



PART	DESCRIPTION	PART NUMBER
1	FLAT CASING - HEADER	EX7818XX
2	FLAT CASING - LEG - LEFT	EX7818XX
3	FLAT CASING - LEG - RIGHT	EX7818XX
4	SILL NOSE	EX7820XX
5	END CAP - SILL NOSE - LEFT	IM7975XX
6	END CAP - SILL NOSE - RIGHT	IM7974XX
7	SECONDARY SILL KEY	IM8023MI
8	CORNER KEY CAP - LEFT	IM7973MI
9	CORNER KEY CAP - RIGHT	IM7972MI
10	TRIM CLIP	HA7826MI
11	#8-5/8" FLAT HEAD SS SCREW	FA0442SS
12	INNER GASKET	SE7670FMGY
13	MIDDLE GASKET	SE7670FMGY
14	OUTER GASKET	SE7670FMGY
15	(TRANSOM FRAME)	VARIES

Integral Flat Casing Parts Continued

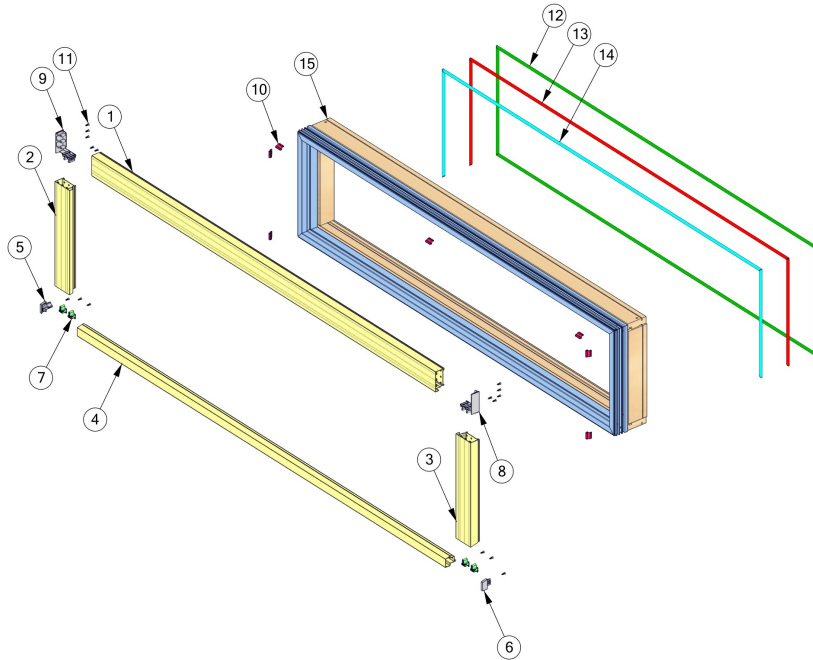
Flat Casing with Sill Nose Horn - Butt Joint



PART	DESCRIPTION	PART NUMBER
1	FLAT CASING - HEADER	EX7818XX
2	FLAT CASING - LEG - LEFT	EX7818XX
3	FLAT CASING - LEG - RIGHT	EX7818XX
4	SILL NOSE	EX7820XX
5	END CAP - SILL NOSE - LEFT	IM7977XX
6	END CAP - SILL NOSE - RIGHT	IM7976XX
7	SECONDARY SILL KEY	IM8023MI
8	CORNER KEY CAP - LEFT	IM7973MI
9	CORNER KEY CAP - RIGHT	IM7972MI
10	TRIM CLIP	HA7826MI
11	#8-5/8" FLAT HEAD SS SCREW	FA0442SS
12	INNER GASKET	SE7670FMGY
13	MIDDLE GASKET	SE7670FMGY
14	OUTER GASKET	SE7670FMGY
15	(TRANSOM FRAME)	VARIES

Integral Flat Casing Parts Continued

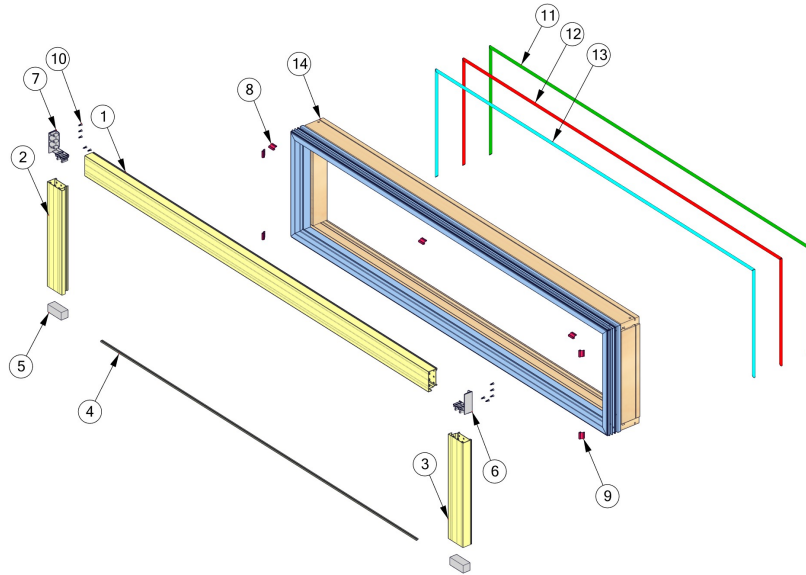
Flat Casing with Sill Nose Variable Horn - Butt Joint



PART	DESCRIPTION	PART NUMBER
1	FLAT CASING - HEADER	EX7818XX
2	FLAT CASING - LEG - LEFT	EX7818XX
3	FLAT CASING - LEG - RIGHT	EX7818XX
4	SILL NOSE	EX7820XX
5	END CAP - SILL NOSE - LEFT	IM8030XX
6	END CAP - SILL NOSE - RIGHT	IM8031XX
7	SECONDARY SILL KEY	IM8023MI
8	CORNER KEY CAP - LEFT	IM7973MI
9	CORNER KEY CAP - RIGHT	IM7972MI
10	TRIM CLIP	HA7826MI
11	#8-5/8" FLAT HEAD SS SCREW	FA0442SS
12	INNER GASKET	SE7670FMGY
13	MIDDLE GASKET	SE7670FMGY
14	OUTER GASKET	SE7670FMGY
15	(TRANSOM FRAME)	VARIES

Integral Flat Casing Parts Continued

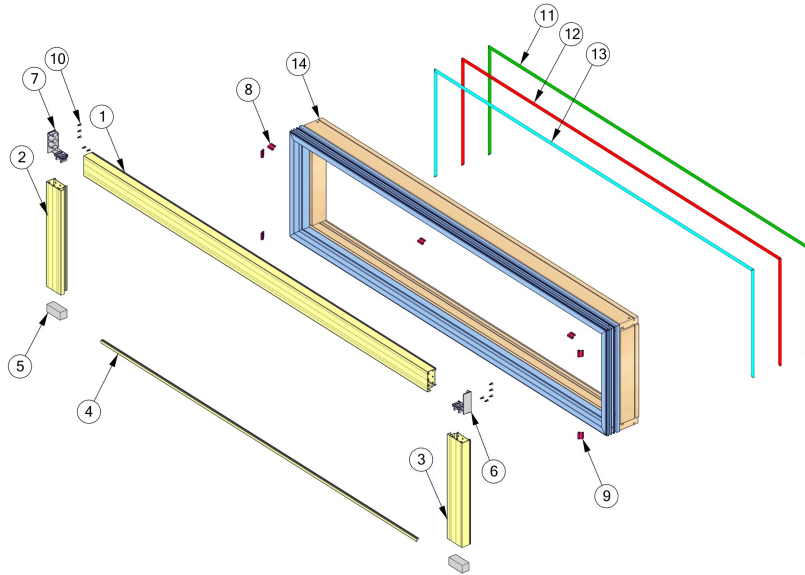
Flat Casing with Groove Filler - Butt Joint



PART	DESCRIPTION	PART NUMBER
1	FLAT CASING - HEADER	EX7818XX
2	FLAT CASING - LEG - LEFT	EX7818XX
3	FLAT CASING - LEG - RIGHT	EX7818XX
4	GROOVE FILLER	EX7852XX
5	FOAM PLUG	MI7515
6	CORNER KEY CAP - LEFT	IM7973MI
7	CORNER KEY CAP - RIGHT	IM7972MI
8	TRIM CLIP	HA7826MI
9	PERMANENT TRIM CLIP	HA8300MI
10	#8-5/8" FLAT HEAD SS SCREW	FA0442SS
11	INNER GASKET	SE7670FMGY
12	MIDDLE GASKET	SE7670FMGY
13	OUTER GASKET	SE7670FMGY
14	(TRANSOM FRAME)	VARIES

Integral Flat Casing Parts Continued

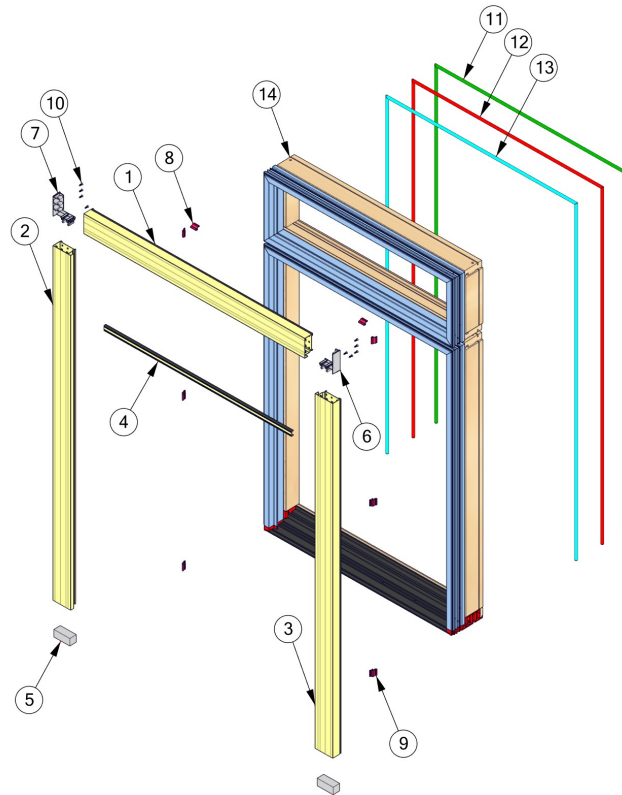
Flat Casing with Stucco Key - Butt Joint



PART	DESCRIPTION	PART NUMBER
1	FLAT CASING - HEADER	EX7818XX
2	FLAT CASING - LEG - LEFT	EX7818XX
3	FLAT CASING - LEG - RIGHT	EX7818XX
4	STUCCO KEY	EX7812XX
5	FOAM PLUG	MI7515
6	CORNER KEY CAP - LEFT	IM7973MI
7	CORNER KEY CAP - RIGHT	IM7972MI
8	TRIM CLIP	HA7826MI
9	PERMANENT TRIM CLIP	HA8300MI
10	#8-5/8" FLAT HEAD SS SCREW	FA0442SS
11	INNER GASKET	SE7670FMGY
12	MIDDLE GASKET	SE7670FMGY
13	OUTER GASKET	SE7670FMGY
14	(TRANSOM FRAME)	VARIES

Integral Flat Casing Parts Continued

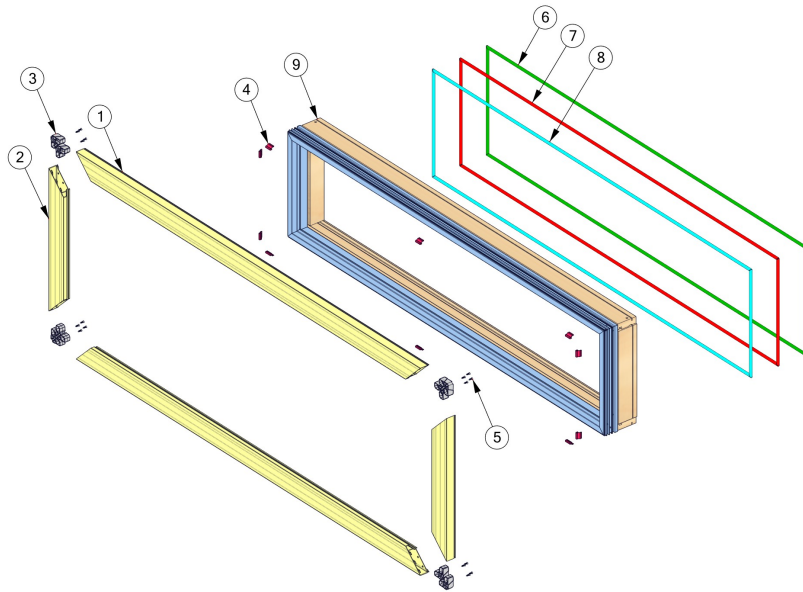
Flat Casing on Door with Transom Combination - Butt Joint



PART	DESCRIPTION	PART NUMBER
1	FLAT CASING - HEADER	EX7818XX
2	FLAT CASING - LEG - LEFT	EX7818XX
3	FLAT CASING - LEG - RIGHT	EX7818XX
4	FIELD MULL COVER	EX7830XX
5	FOAM PLUG	MI7515
6	CORNER KEY CAP - LEFT	IM7973MI
7	CORNER KEY CAP - RIGHT	IM7972MI
8	TRIM CLIP	HA7826MI
9	PERMANENT TRIM CLIP	HA8300MI
10	#8-5/8" FLAT HEAD SS SCREW	FA0442SS
11	INNER GASKET	SE7670FMGY
12	MIDDLE GASKET	SE7670FMGY
13	OUTER GASKET	SE7670FMGY
14	(DOOR AND TRANSOM FRAME)	VARIES

Integral Flat Casing Parts Continued

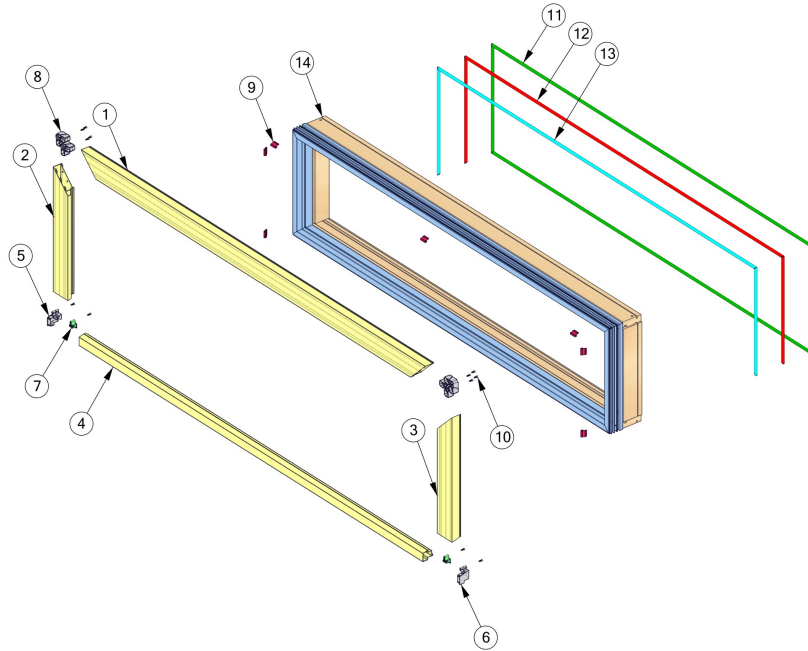
Flat Casing All Sides - Miter Joint



PART	DESCRIPTION	PART NUMBER
1	FLAT CASING - HEADER / SILL	EX7818XX
2	FLAT CASING - LEG	EX7818XX
3	CORNER KEY	IM7965MI
4	TRIM CLIP	HA7826MI
5	#8-5/8" FLAT HEAD SS SCREW	FA0442SS
6	INNER GASKET	SE7670FMGY
7	MIDDLE GASKET	SE7670FMGY
8	OUTER GASKET	SE7670FMGY
9	(TRANSOM FRAME)	VARIES

Integral Flat Casing Parts Continued

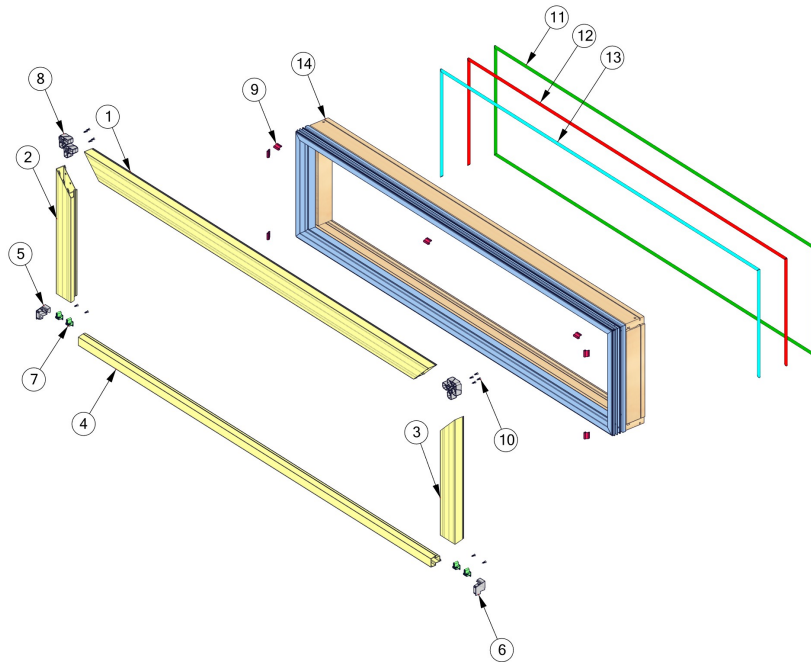
Flat Casing with Sill Nose Flush - Miter Joint



PART	DESCRIPTION	PART NUMBER
1	FLAT CASING - HEADER	EX7818XX
2	FLAT CASING - LEG - LEFT	EX7818XX
3	FLAT CASING - LEG - RIGHT	EX7818XX
4	SILL NOSE	EX7820XX
5	END CAP - SILL NOSE - LEFT	IM7975XX
6	END CAP - SILL NOSE - RIGHT	IM7974XX
7	SECONDARY SILL KEY	IM8025MI
8	CORNER KEY	IM7965MI
9	TRIM CLIP	HA7826MI
10	#8-5/8" FLAT HEAD SS SCREW	FA0442SS
11	INNER GASKET	SE7670FMGY
12	MIDDLE GASKET	SE7670FMGY
13	OUTER GASKET	SE7670FMGY
15	(TRANSOM FRAME)	VARIES

Integral Flat Casing Parts Continued

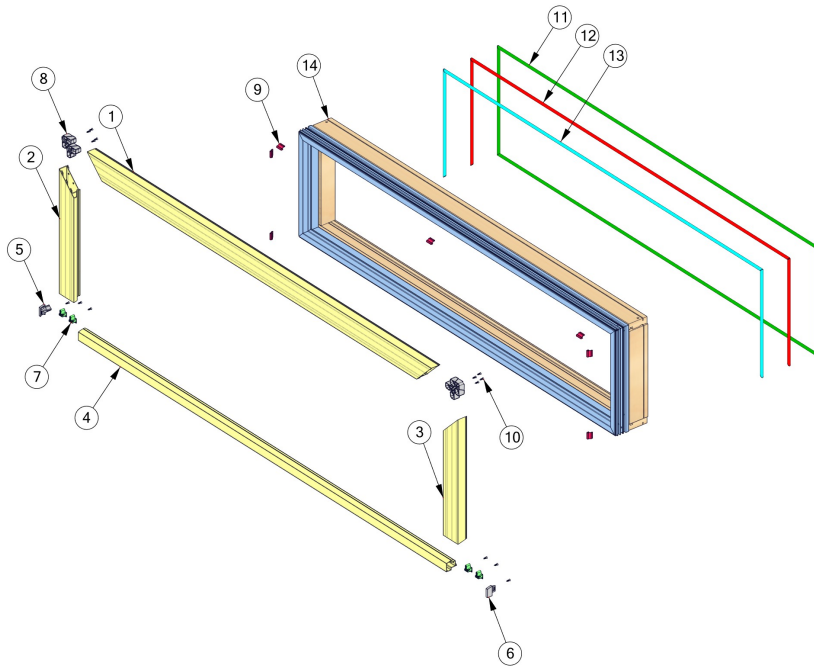
Flat Casing with Sill Nose Horn - Miter Joint



PART	DESCRIPTION	PART NUMBER
1	FLAT CASING - HEADER	EX7818XX
2	FLAT CASING - LEG - LEFT	EX7818XX
3	FLAT CASING - LEG - RIGHT	EX7818XX
4	SILL NOSE	EX7820XX
5	END CAP - SILL NOSE - LEFT	IM7977XX
6	END CAP - SILL NOSE - RIGHT	IM7976XX
7	SECONDARY SILL KEY	IM8025MI
8	CORNER KEY	IM7965MI
9	TRIM CLIP	HA7826MI
10	#8-5/8" FLAT HEAD SS SCREW	FA0442SS
11	INNER GASKET	SE7670FMGY
12	MIDDLE GASKET	SE7670FMGY
13	OUTER GASKET	SE7670FMGY
15	(TRANSOM FRAME)	VARIES

Integral Flat Casing Parts Continued

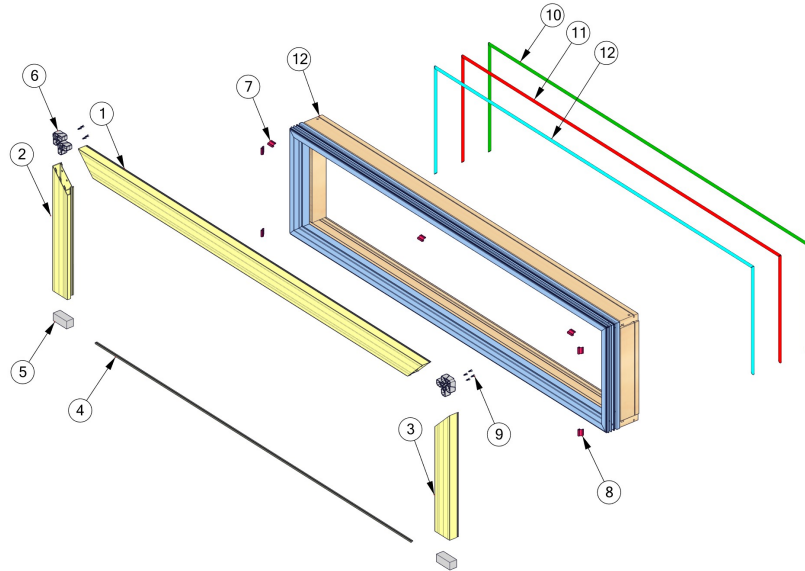
Flat Casing with Sill Nose Variable Horn - Miter Joint



PART	DESCRIPTION	PART NUMBER
1	FLAT CASING - HEADER	EX7818XX
2	FLAT CASING - LEG - LEFT	EX7818XX
3	FLAT CASING - LEG - RIGHT	EX7818XX
4	SILL NOSE	EX7820XX
5	END CAP - SILL NOSE - LEFT	IM8030XX
6	END CAP - SILL NOSE - RIGHT	IM8031X
7	SECONDARY SILL KEY	IM8025MI
8	CORNER KEY	IM7965MI
9	TRIM CLIP	HA7826MI
10	#8-5/8" FLAT HEAD SS SCREW	FA0442SS
11	INNER GASKET	SE7670FMGY
12	MIDDLE GASKET	SE7670FMGY
13	OUTER GASKET	SE7670FMGY
15	(TRANSOM FRAME)	VARIABLES

Integral Flat Casing Parts Continued

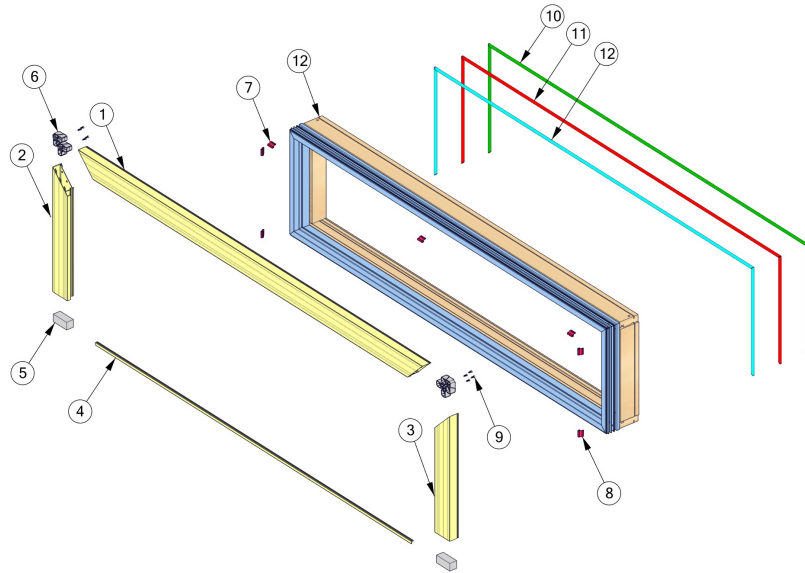
Flat Casing with Groove Filler - Miter Joint



PART	DESCRIPTION	PART NUMBER
1	FLAT CASING - HEADER	EX7818XX
2	FLAT CASING - LEG - LEFT	EX7818XX
3	FLAT CASING - LEG - RIGHT	EX7818XX
4	GROOVE FILLER	EX7852XX
5	FOAM PLUG	MI7515
6	CORNER KEY	IM7965MI
7	TRIM CLIP	HA7826MI
8	PERMANENT TRIM CLIP	HA8300MI
9	#8-5/8" FLAT HEAD SS SCREW	FA0442SS
10	INNER GASKET	SE7670FMGY
11	MIDDLE GASKET	SE7670FMGY
12	OUTER GASKET	SE7670FMGY
13	(TRANSOM FRAME)	VARIES

Integral Flat Casing Parts Continued

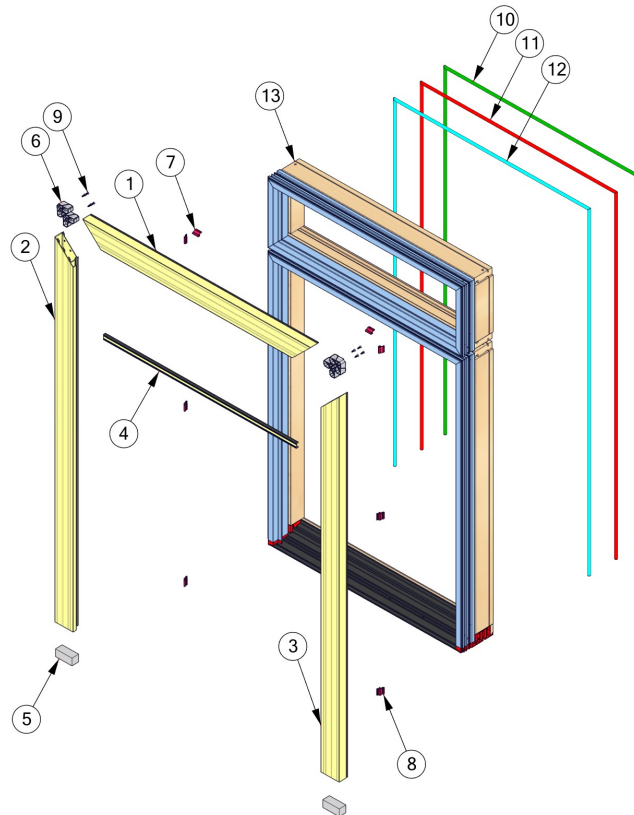
Flat Casing with Stucco Key - Miter Joint



PART	DESCRIPTION	PART NUMBER
1	FLAT CASING - HEADER	EX7818XX
2	FLAT CASING - LEG - LEFT	EX7818XX
3	FLAT CASING - LEG - RIGHT	EX7818XX
4	STUCCO KEY	EX7812XX
5	FOAM PLUG	MI7515
6	CORNER KEY	IM7965MI
7	TRIM CLIP	HA7826MI
8	PERMANENT TRIM CLIP	HA8300MI
9	#8-5/8" FLAT HEAD SS SCREW	FA0442SS
10	INNER GASKET	SE7670FMGY
11	MIDDLE GASKET	SE7670FMGY
12	OUTER GASKET	SE7670FMGY
13	(TRANSOM FRAME)	VARIABLES

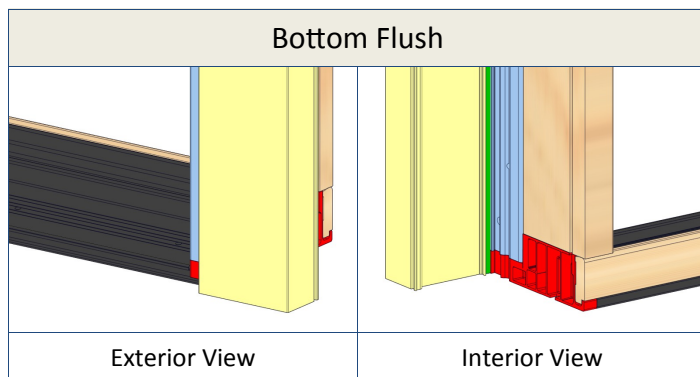
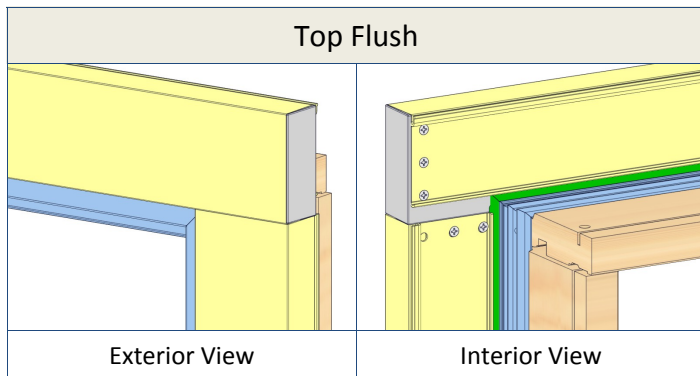
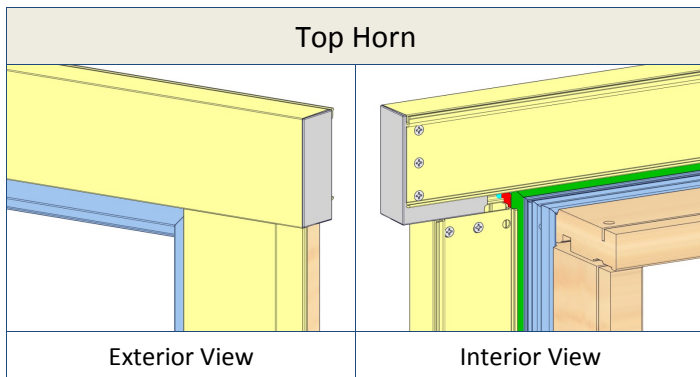
Integral Flat Casing Parts Continued

Flat Casing on Door with Transom Combination - Miter Joint

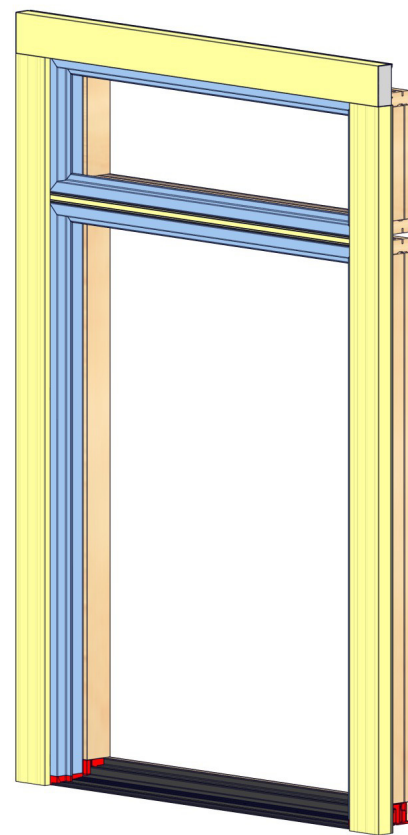


PART	DESCRIPTION	PART NUMBER
1	FLAT CASING - HEADER	EX7818XX
2	FLAT CASING - LEG - LEFT	EX7818XX
3	FLAT CASING - LEG - RIGHT	EX7818XX
4	FIELD MULL COVER	EX7830XX
5	FOAM PLUG	MI7515
6	CORNER KEY	IM7965MI
7	TRIM CLIP	HA7826MI
8	PERMANENT TRIM CLIP	HA8300MI
9	INNER GASKET	SE7670FMGY
10	MIDDLE GASKET	SE7670FMGY
11	OUTER GASKET	SE7670FMGY
12	#8-5/8" FLAT HEAD SS SCREW	FA0442SS
13	(DOOR AND TRANSOM FRAME)	VARIES

Integral Flat Casing Corners

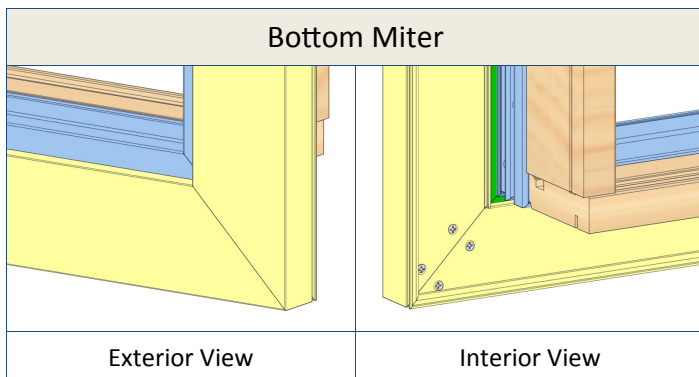
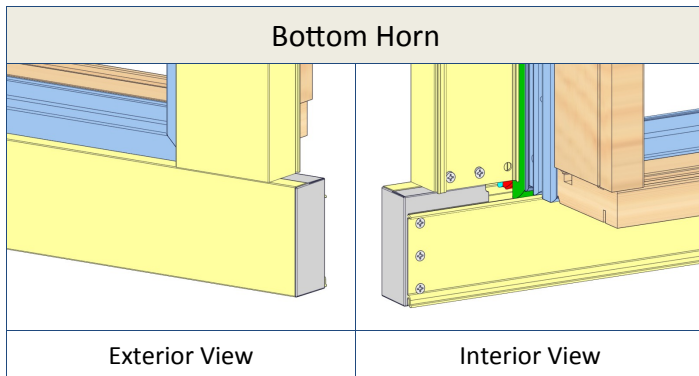
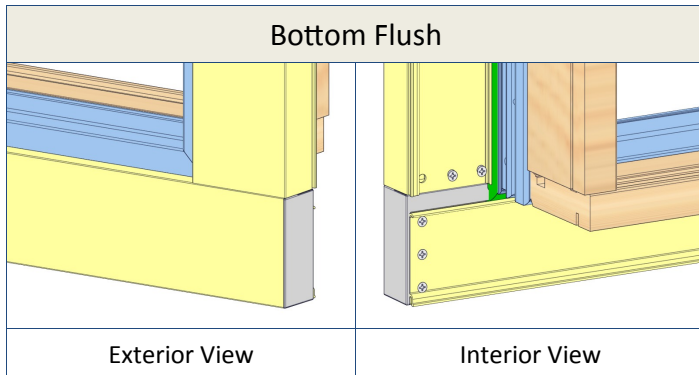


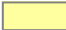

- Flat Casing shown in yellow
- Door and Transom Frame shown in blue



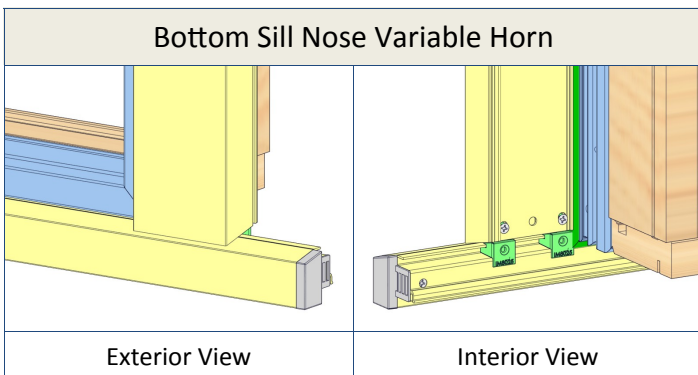
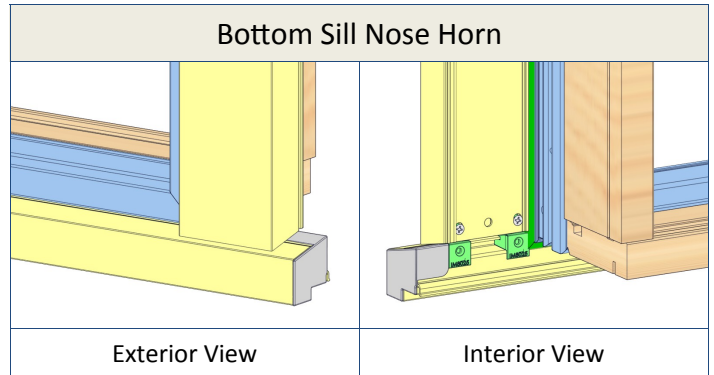
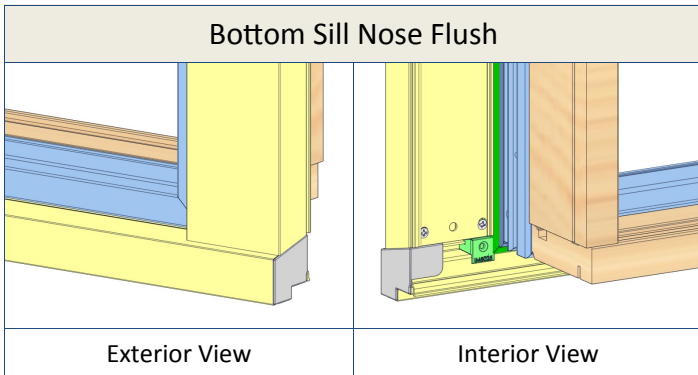
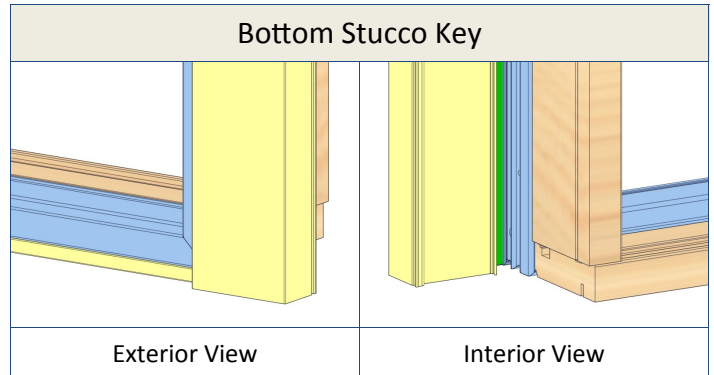
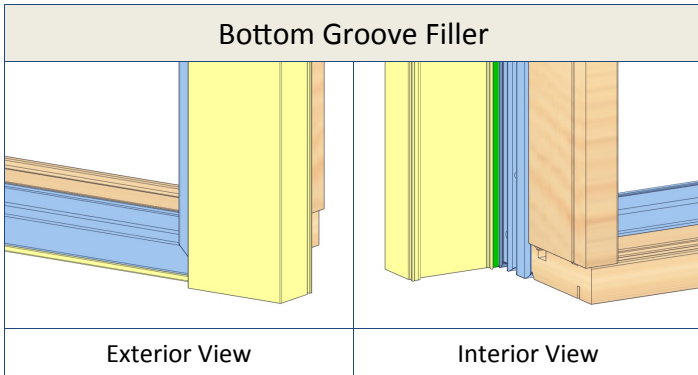
Flat Casing Flush Joint shown

Integral Flat Casing Corners Continued



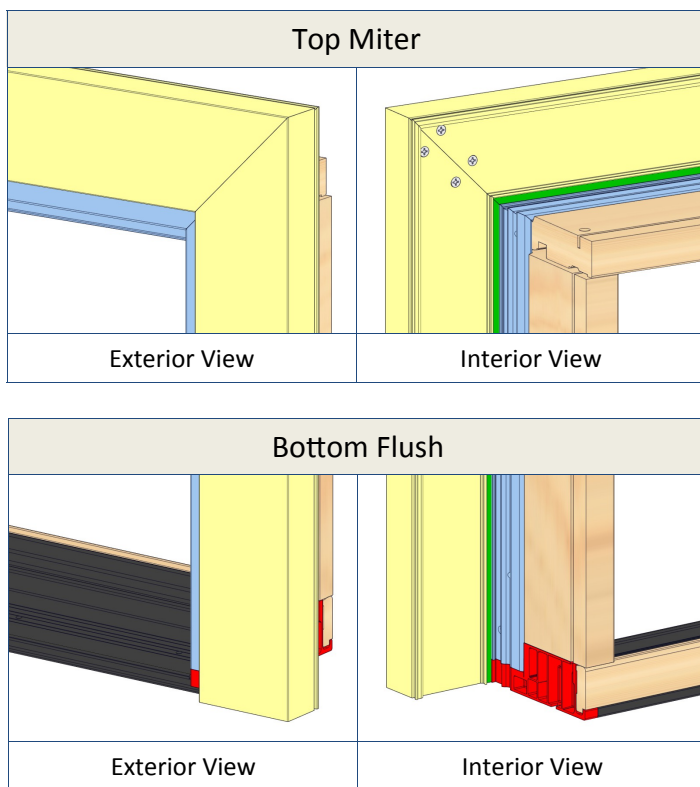
-  Flat Casing shown in yellow
-  Transom Frame shown in blue

Integral Flat Casing Corners Continued

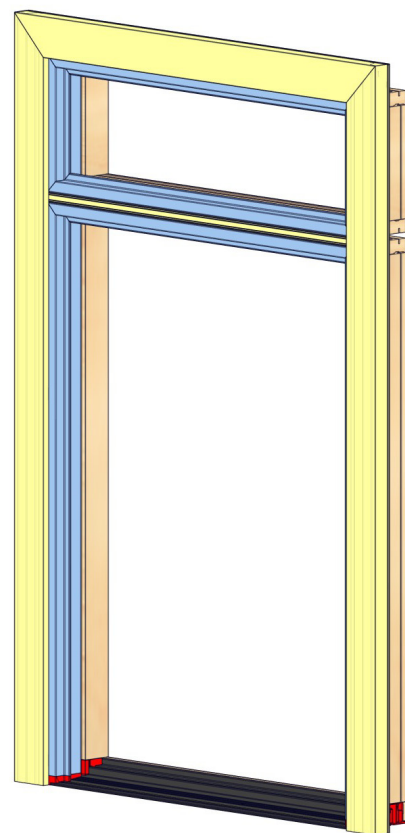


- Flat Casing shown in yellow
- Transom Frame shown in blue

Integral Flat Casing Corners Continued



- Flat Casing shown in yellow
- Door and Transom Frame shown in blue



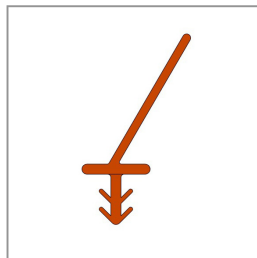
Flat Casing Miter Joint shown

Optional Flashing Flange

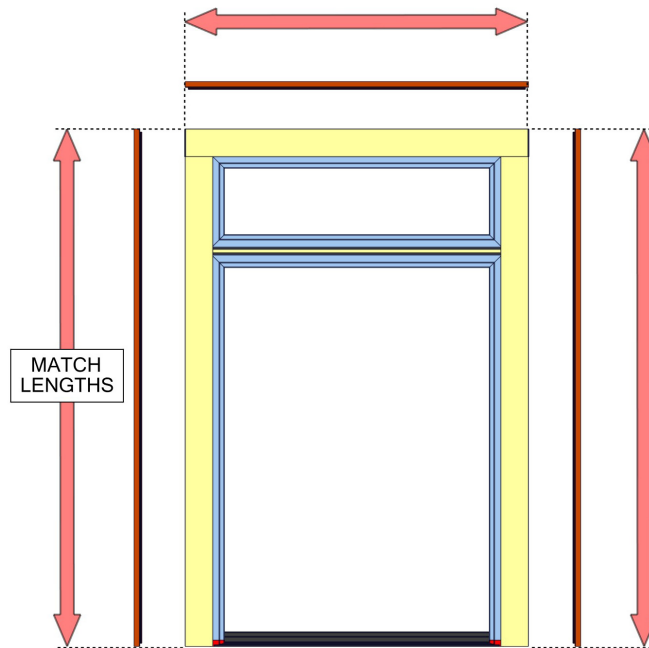
Skip to step 4 if not installing Flashing Flange

1 Determine which Flashing Flange fits Flat Casing Trim Piece.

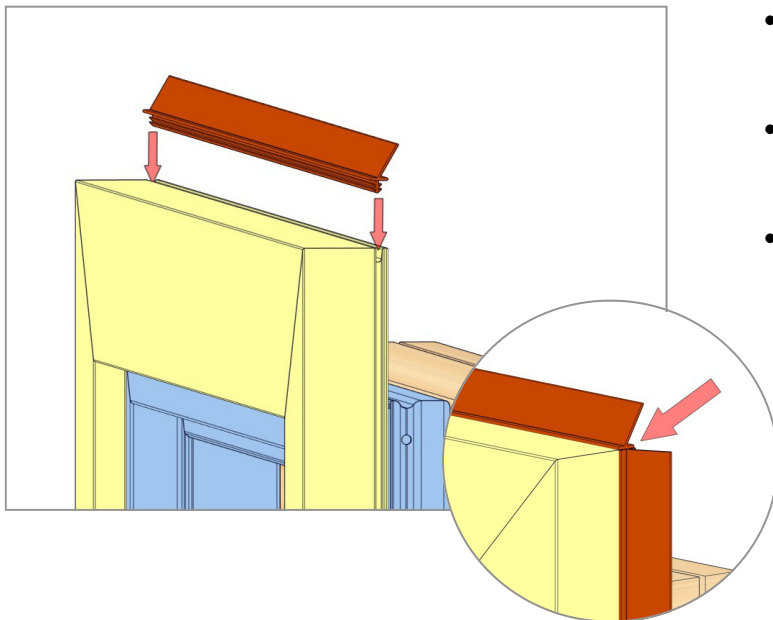
Length of Flashing Flange is close to the length of Flat Casing.



Flashing Flange
VA7245



2 Press Flashing Flange into Flat Casing Groove.



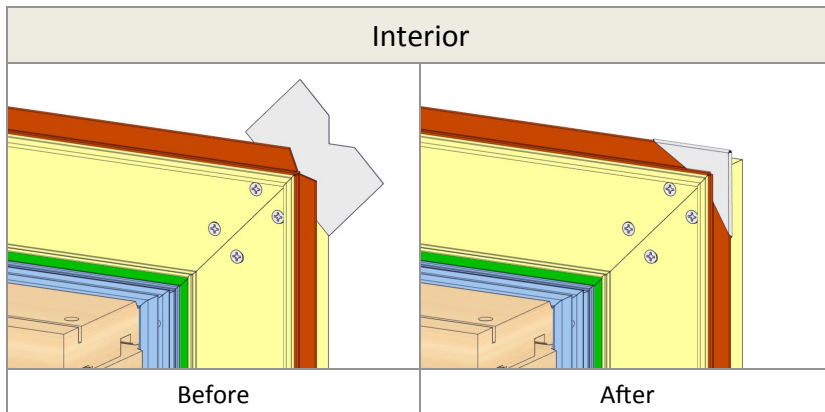
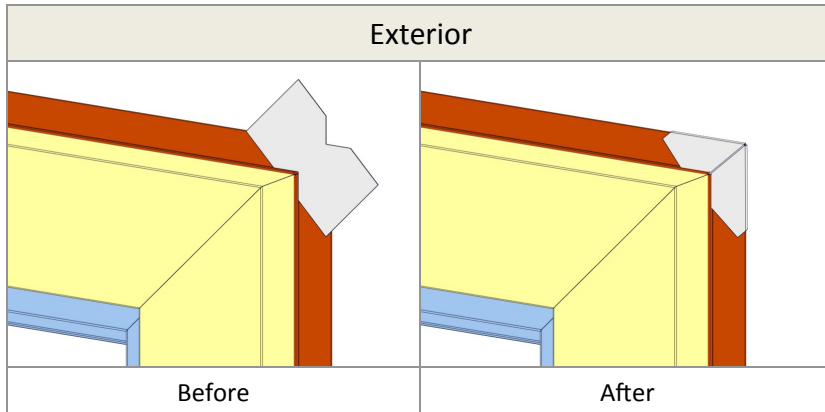
- Orient Flashing Flange pointed towards interior of Door.
- Start Header Flashing Flange end flush with Flat Casing End.
- Start Leg Flashing Flange Flush with top of Header Flat Casing.

Do Not Install Flashing Flange Along Sill or Bottom of Door

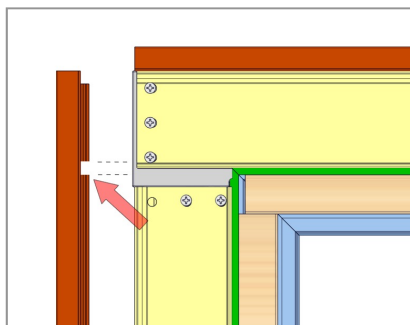
Optional Flashing Flange Continued

3 Fold Corner Gaskets around Corners.

Flashing Gasket - LA7513



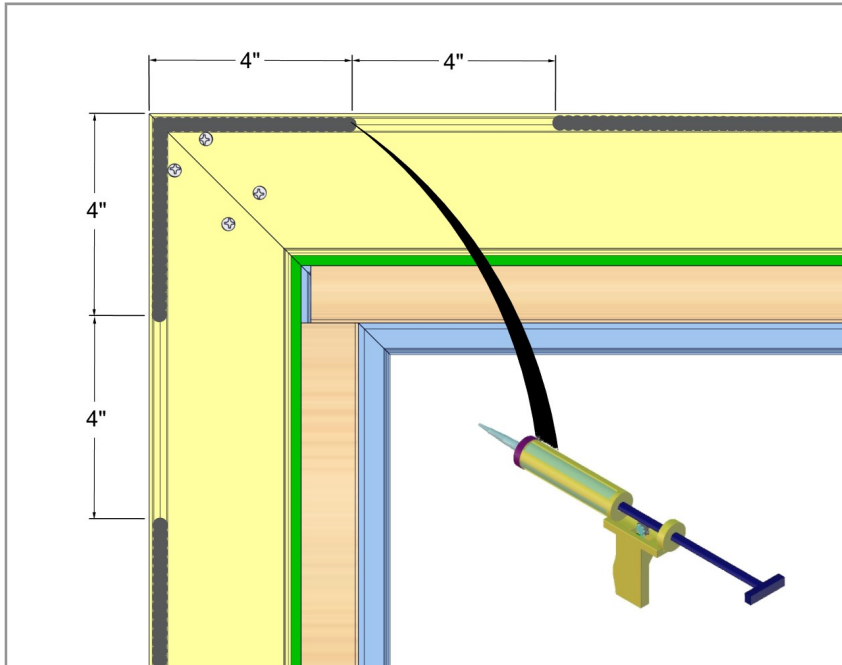
Note: For Flush Joints only, notch Flashing Flange Dart 1/4" to fit around leg.



Sealing Surfaces

4

Apply Sealant on back side of Flat Casing around full perimeter.

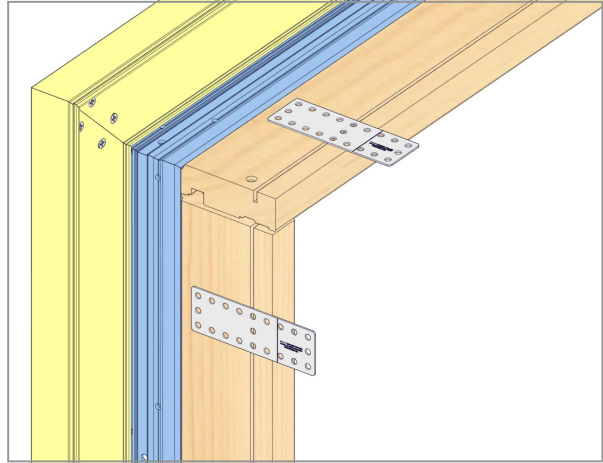
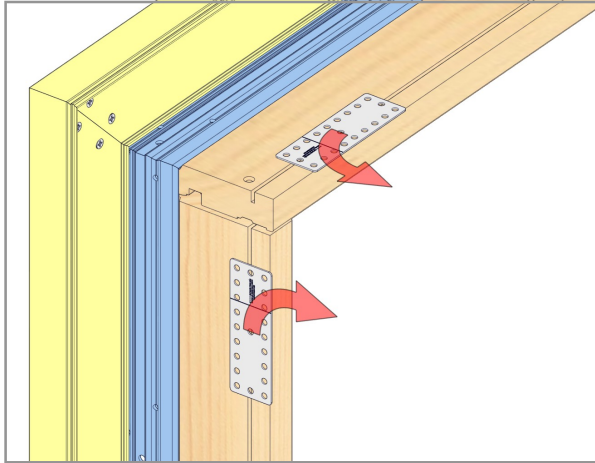


Leave 4" sealant gaps 4" from each Sill Corner.

Installation Straps

Skip to Step 6 if installing "Through the Jamb"

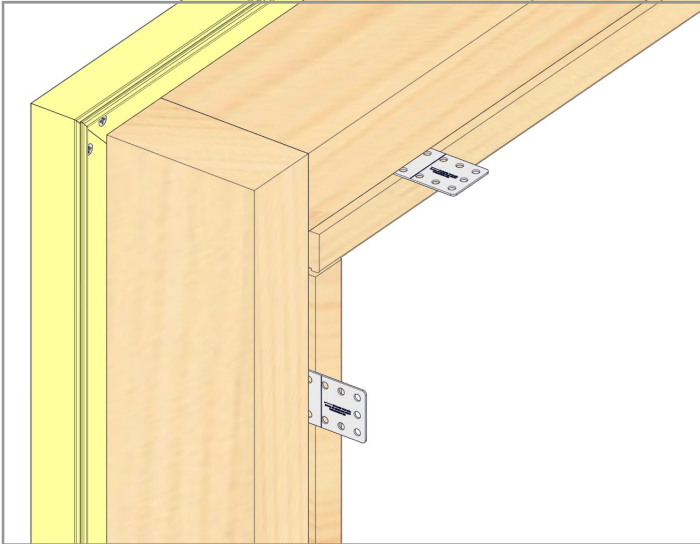
5 Rotate Straps 90 degrees.



Shimming

6

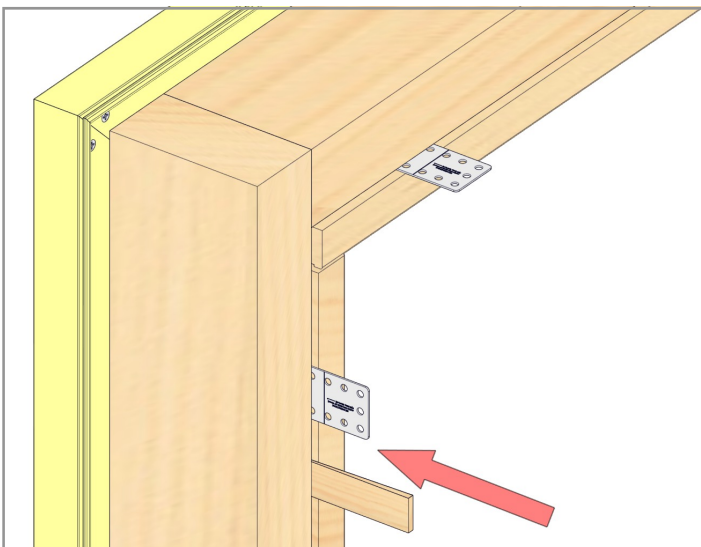
Push Door into opening.



Fully seat Door against outside
Weather Resistant Barrier.

7

Shim next to each Installation Strap or Through the Jamb hole.



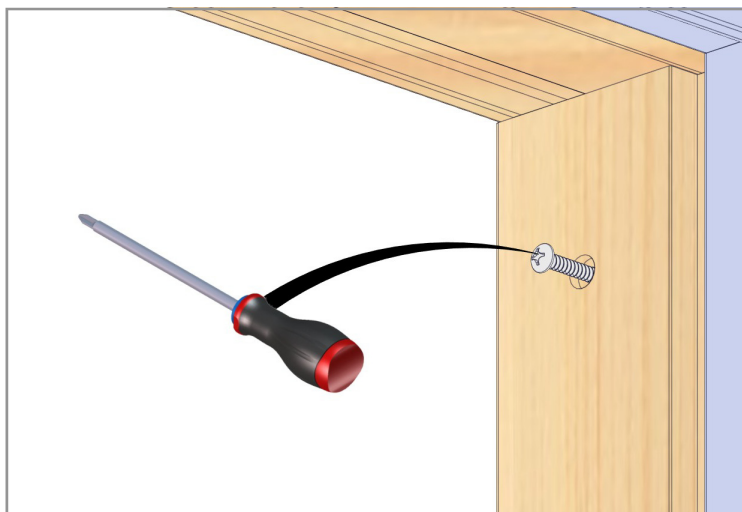
Check and correct door for
plum, square and cross leg.

Installation Screws

Skip to Step 10 if using Installation Straps.

8

Install provided screws through wood. Fully seat Screws.

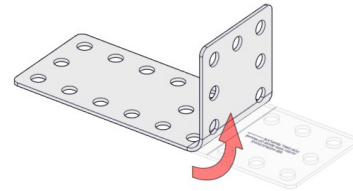
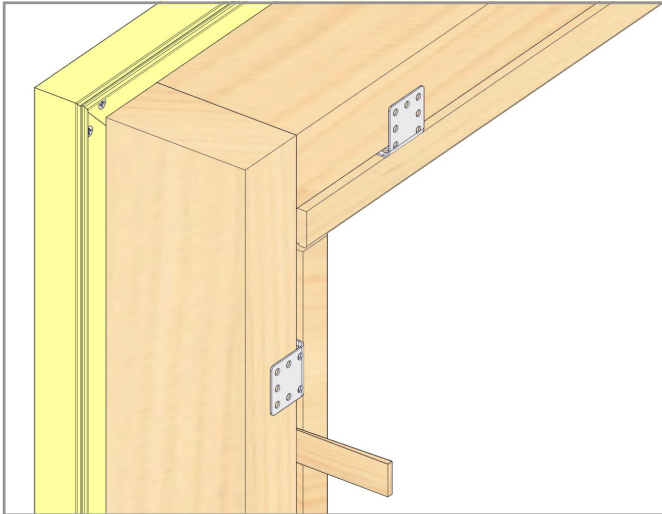


Adjust hinges and verify smooth operation if applicable.

Install Screws Continued

9

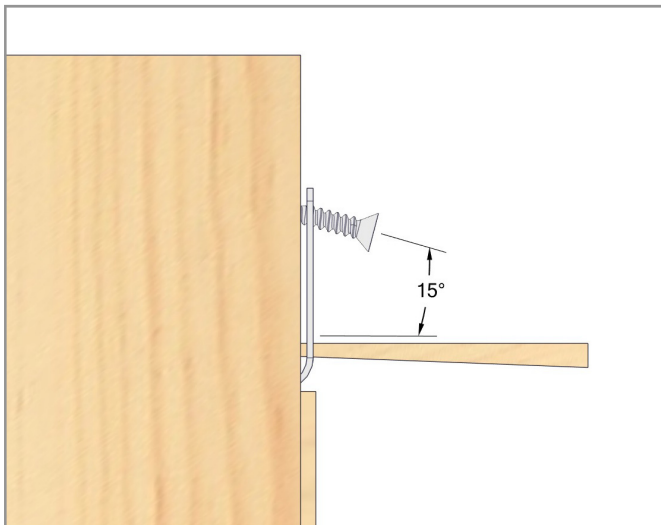
Slightly bend Installation Strap around edge of Rough Opening.



Note: If drywall is present, remove drywall in Strap area.

10

Install #8 x 1-5/8" Exterior Grade Screws through holes.



Note: Angle screw slightly (15 degrees). As you install the screw, the Strap will tighten.

Note: Make sure Strap and Screw Head are below outer drywall surface.

Complete Installation

- Install Drip Fin (not provided) over Flashing Flange or Trim.
- Flash over Flashing Flange and/or Drip Fin.

Clean Up

- Wipe up any excess sealant.
- Clean up scuff marks with soap and water.

TiteBond® WeatherMaster Sealant Compatible Colors		
Milgard Palette Color	Titebond® WeatherMaster™ Color Reference	Milgard Part Number
Bark	44061	SE7673AR
Black Bean	44031	SE7673BL
Bronze	45841	SE7673ZB
Cinnamon	45521	SE7673CI
Classic Brown	44211	SE7673LW
Espresso	45661	SE7673EX
Evening Sky	45531	SE7673ES
Fern	45651	SE7673FN
Fog	46681	SE7673FO
Frost	44001	SE7673FS
Harmony	44641	SE7673HR
Ivory	45511	SE7673IV
Pea Pod	49211	SE7673PP
Sand	46041	SE7673SD
Tweed	44691	SE7673TE
Twilight	44031	SE7673BL

REVISIONS					
REV	ECN	DESCRIPTION	DATE	DRAWN	APPD.
A	3848ECNEG	RELEASE	05/21/2015	NDS	VM