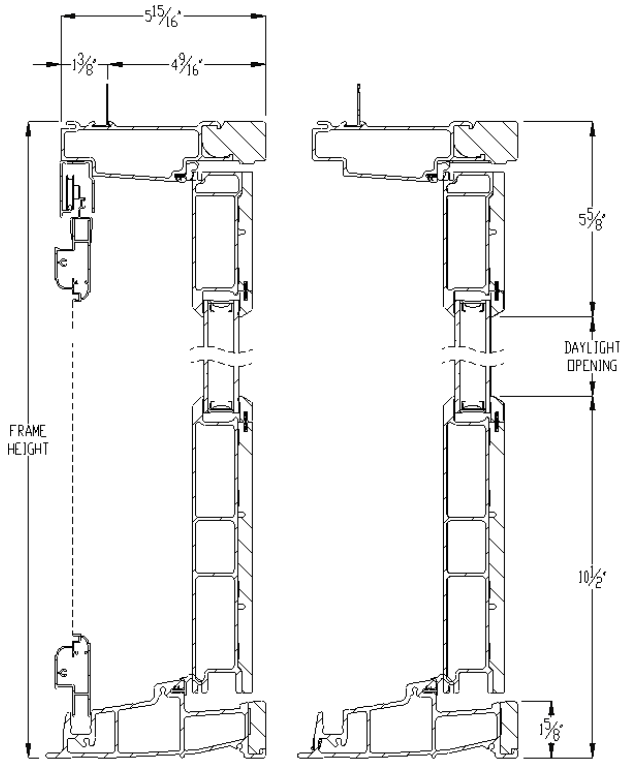


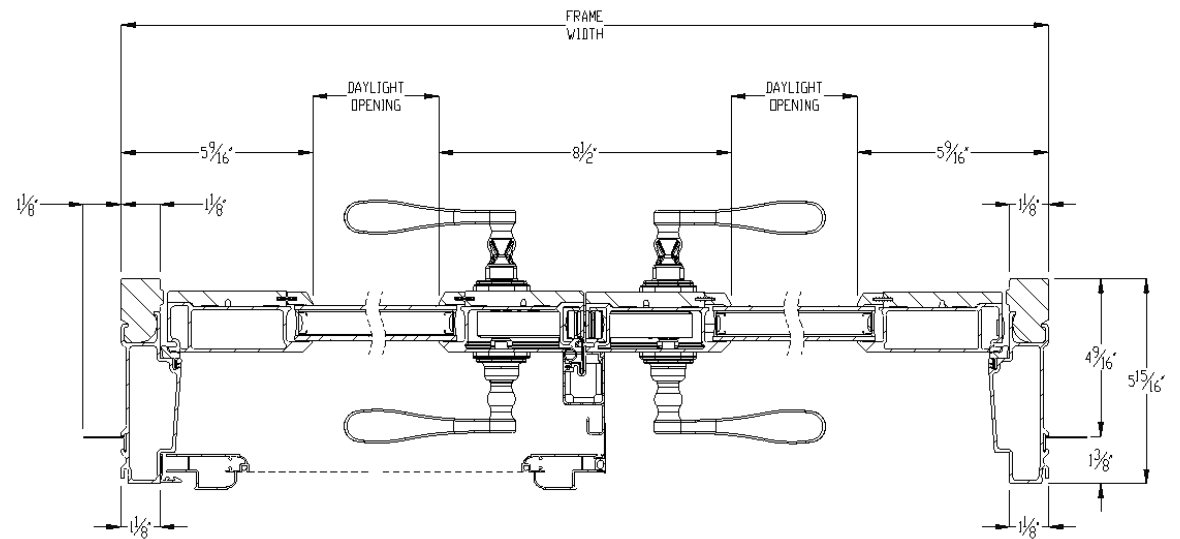
# Cross Section – Inswing French Door 4 9/16", 2 Panel AP-PA

CAD File Scale	View	Units	File Name	Series #	Revision Date
NTS	Horizontal & Vertical	Inch	Essence_9642_ISD_49_2P_AP_PA	9600	03/13/2017

More Technical Documents can be found at [milgard.com/professionals](http://milgard.com/professionals)  
 Due to continual research and development, details may be changed at any time. ©2014 Milgard Mfg.



HEAD & SILL



JAMBS