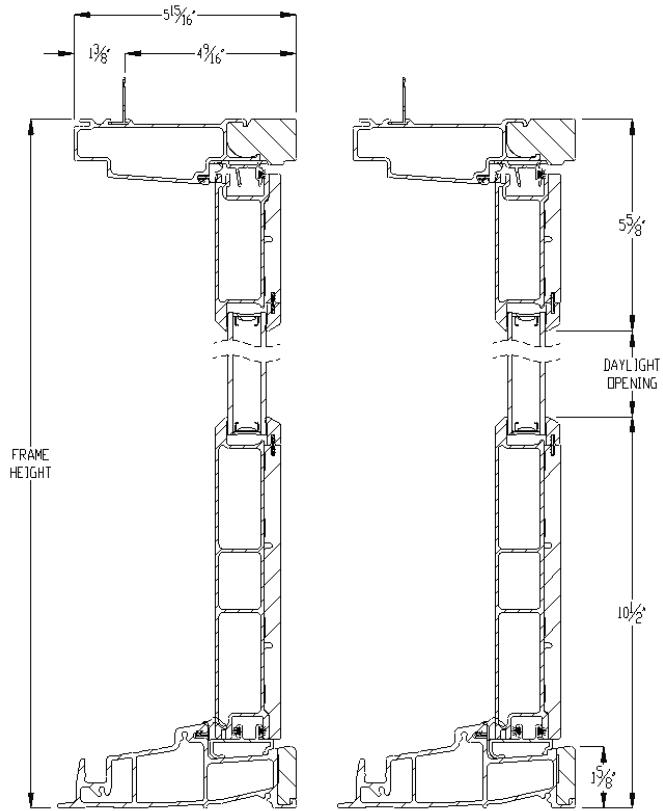


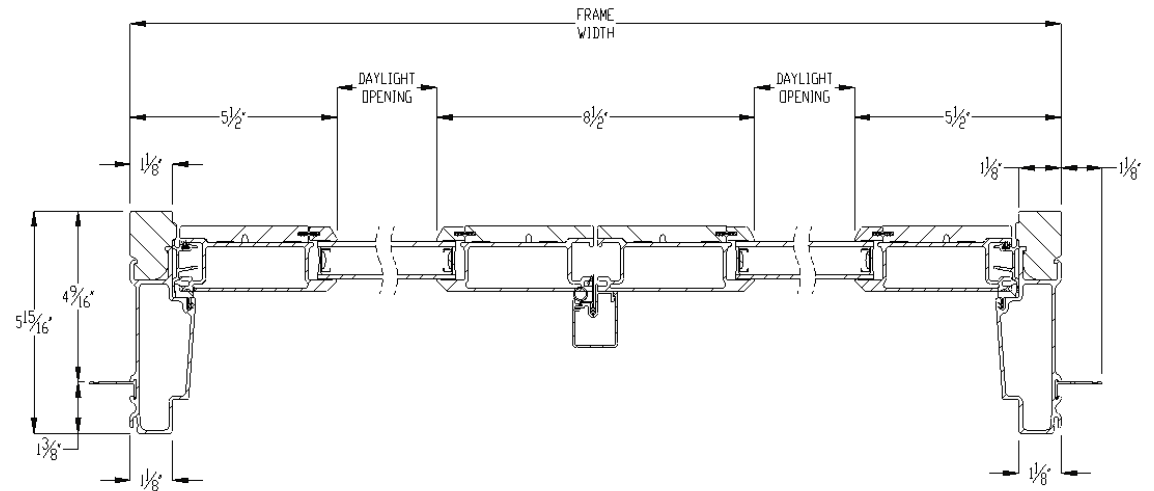
Cross Section – Inswing French Door 4 9/16", 2 Panel OO

CAD File Scale	View	Units	File Name	Series #	Revision Date
NTS	Horizontal & Vertical	Inch	Essence_9642_ISD_49_2P_OO	9600	03/13/2017

More Technical Documents can be found at milgard.com/professionals
 Due to continual research and development, details may be changed at any time. ©2014 Milgard Mfg.



HEAD & SILL



JAMBS