

**Cross Section Drawing**

**Ultra Inswing Door, PA/AP Configuration, 4 9/16" Wall Condition  
1" Nailfin Setback**



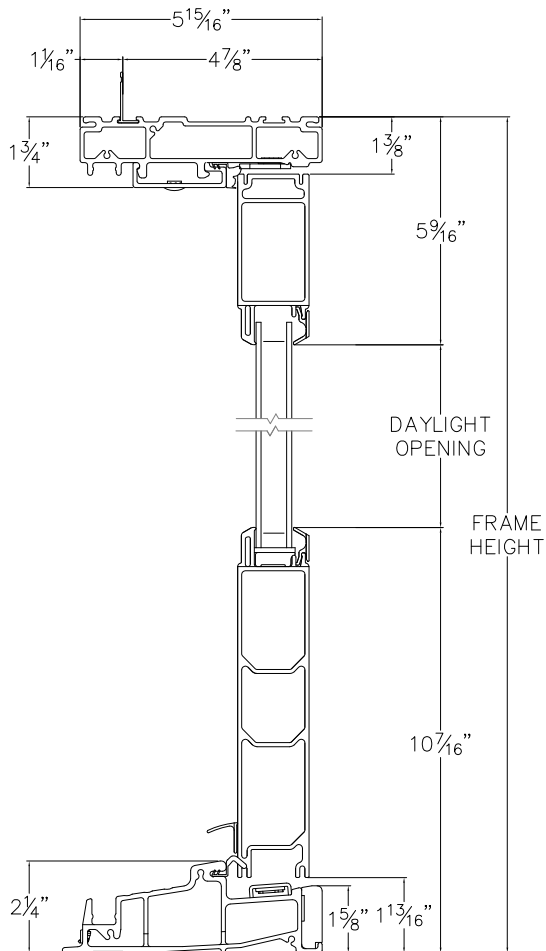
CAD File Scale	View	File Name	Units
NTS	Horizontal & Vertical	Ultra_3642_IS_PA_1in_4.563frame	Inch

More Technical Documents can be found at [milgard.com/professionals](http://milgard.com/professionals)  
Due to continual research and development, details may be changed at any time. ©2013 Milgard Mfg.

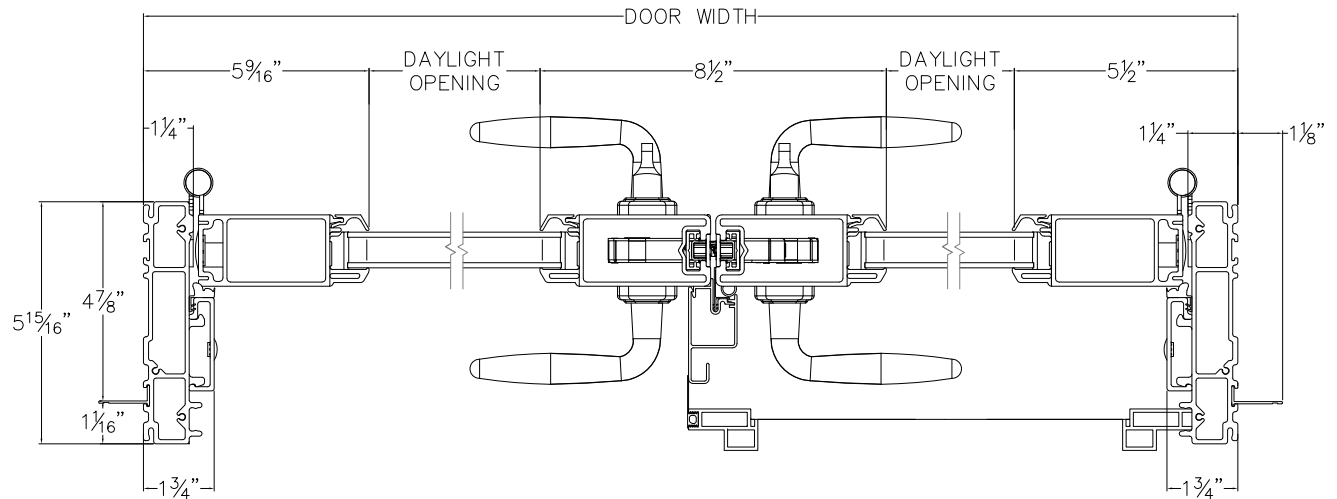
**INSWING DOOR  
SERIES 3642**

PA configuration shown  
AP configuration also available.

Standard screen is shown  
Optional Retractable screen is available



**HEAD & SILL**



**JAMBS**