

Single Hung Windows

Please also see:

[TI Aluminum Options](#)

[Full Lifetime Warranty](#)

Overview

The 1520 Series is designed as an inside slider (the bottom panel or “vent” slides inside the stationary panel). For the vent to open completely, there must be at least an equal size adjacent stationary panel. Single Hung Windows can be used alone or combined with picture, gable or radius windows or in tandem for multiple window installations.

Components

FRAME

Frame components are made from 6063-T5 aluminum alloy with a structural wall thickness of .060”. The 1520 Series utilizes a thermal break for added insulation value. The poured in polyurethane insulator is approximately 1/4” wide at the most narrow point and is used in all frame members. The frame is available in clear and bronze anodized finishes with a standard .4” mil coating thickness.

The 1520 Series is designed for clean lines and high visual appeal with maximum glass exposure. Wide screw spacing on the mechanically joined corners ensure a rigid connection with a consistent dimension. Corners are sealed for added protection from the weather. The standard frame is 2-5/8” in width.

NAIL-ON FIN

An integral nailing fin extends 1” around the perimeter of the standard frame and is used to attach the window into the rough opening. The fin is scored for complete removal for retrofit/wood stop installations. The fin is setback 1-5/16” from the exterior edge of the frame.

WEEP SYSTEM

Hollow sill construction and offset weep holes drain water from the track and greatly reduce the occurrence of blow back, or water seeping to the inside caused by a combination of wind and rain.

GLAZING MATERIAL

AAMA approved glazing tape adheres glass to the fixed and vent frame and seals and cushions the glass. Rigid vinyl setting blocks are used to support the glass unit, preventing glass slip-page and glass-to-metal contact. Extruded vinyl glazing (snapin) bead is applied around the exterior edge. The vent panel utilizes a “U-shaped” vinyl channel designed to seal the unit and cushion the glass from the frame.

GLASS

Glass options are available in 1” overall insulating units in clear, tinted, reflective, obscure, Low-E, and safety glass. Other specialty glass is available upon request.

VENT PANEL

The vent has an “L” shaped lip that fully interlocks with the horizontal meeting rail, adding security and preventing weather penetration. Both the lift rail and the lock rail have legs that project inward 7/16” for ease in operating the vent from the interior. The vent panel may be removed for ease of cleaning and maintenance.

WEATHERSTRIPPING

Silicone treated, water repellent polypropylene fin seal weather-stripping provides a durable, weather tight seal. This weather-stripping is installed in an integral, continuous keyway around the entire perimeter of the vent panel.

BALANCER SYSTEM

The vent operates on concealed block and tackle balancers, allowing the vent to remain open in any position. The balancer system is installed in the jamb on each side of the window.

LOCKING ASSEMBLY

An automatic, spring-loaded, positive lock is located on the vent lock rail and secures to the horizontal meeting rail. The aluminum handle is adjustable and will lock automatically when the window is fully closed.

SCREEN

Screen frames are aluminum, finished with three coats of color matched baked polyester for long term durability. Tension springs are integrated in the screen frame for a secure fit and easy installation

from inside or outside. The screen material is an attractive, low maintenance black fiberglass mesh.

Options

Available options include:

GRIDS

Available in 5/8” standard or 1-1/16” sculptured aluminum pro-files sealed between panes.

SPACER

Spacer available in a standard clear finish or optional bronze or champagne finish in the airspace of the insulating glass units. PGG Intercept™ warm-edge steel spacer available in certain regions. Contact your Milgard manufacturing representative for spacers used in your area.

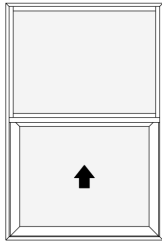
TEST STANDARDS

Contact your Milgard Representative for specific test data.

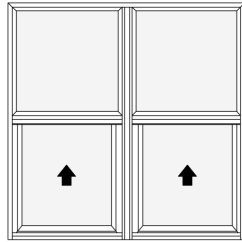
CAUTION: The use of petroleum based fuels or solvents as release agents in stucco wall installations or glass cleaning will chemically attack materials used in seals and other components, and voids the Milgard Full Lifetime Warranty. The use of wax based release agents is recommended. Expanding foam for insulation purposes should not be used. Non-expanding foam or loose packed batt insulation is recommended.

Single Hung Windows

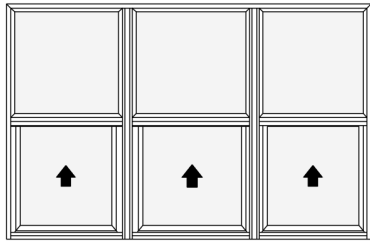
Configurations



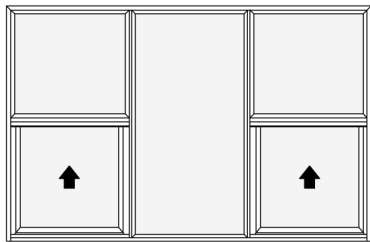
Single Hung



Double Single Hung



Triple Single Hung



Double Single Hung with Picture

Minimum/Maximum Sizes

SINGLE HUNG

- Min 1⁶2⁶ Max 4⁶7⁶

DOUBLE SINGLE HUNG

- Min 3⁰2⁶ Max 8⁰7⁶

TRIPLE SINGLE HUNG

- Min 4⁶2⁶ Max 12⁰7⁶

Available Frame Styles

- 1-3/8" Setback
- No Fin (Block Frame)

NOTE: For engineering approval contact your Milgard representative for any configuration over 40 square feet. Each Milgard Manufacturing plant reserves the right to alter or change sizes and configurations according to location capabilities. Ask your Milgard rep about specialty applications. Windows over 40 square feet shipped open for field glazing. Varies by location.

Not all frame styles available at all Milgard locations. Contact your Milgard Representative for more information.

Drawings - Quick Links

Single Hung Window

11—1-5/16" Nailfin Setback

12—1-3/8" Nailfin Setback - next to Picture

13—1-3/8" Nailfin Setback - Triple Single Hung

Revit, SketchUp, .PDF and .DWG files can be accessed at milgard.com/professionals or clicking here:

[Thermally Improved Aluminum Architectural Library](#)

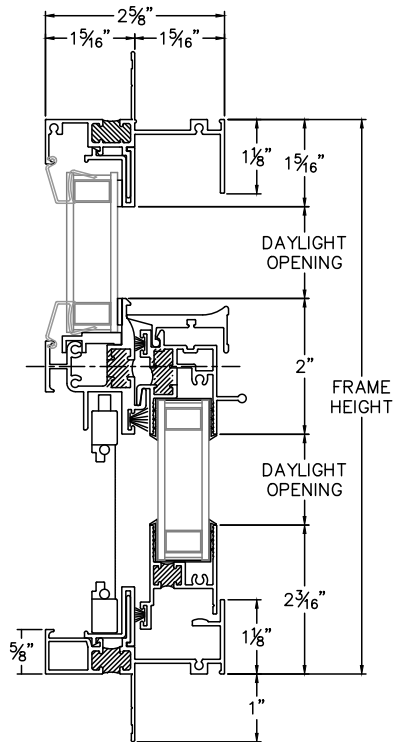
Thermally Improved Aluminum Single Hung Window

1-5/16" Nailfin Setback

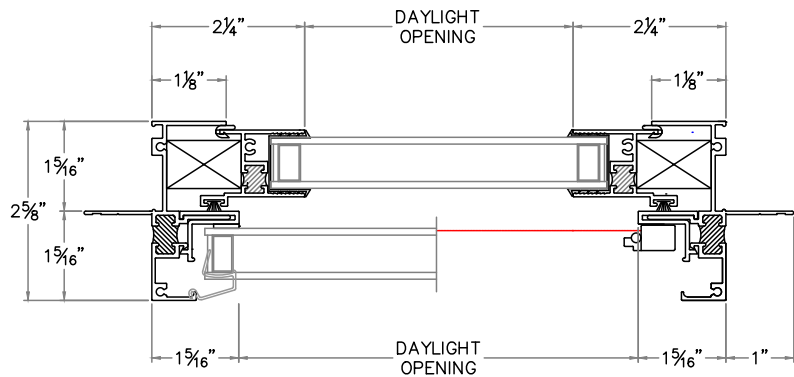
CAD File Scale	View	File Name	Units	R
NTS	Horizontal & Vertical	Aluminum_TIE_1520_SH_1.375in	Inch	4

More Technical Documents can be found at milgard.com/professionals
Due to continual research and development, details may be changed at any time. ©2013 Milgard Mfg.

SINGLE HUNG SERIES 1520



HEAD & SILL



JAMBS

Revit, SketchUp, .PDF and .DWG files can be accessed at milgard.com/professionals or clicking here:

[Thermally Improved Aluminum Architectural Library](#)

[Go back to Quick Links](#)

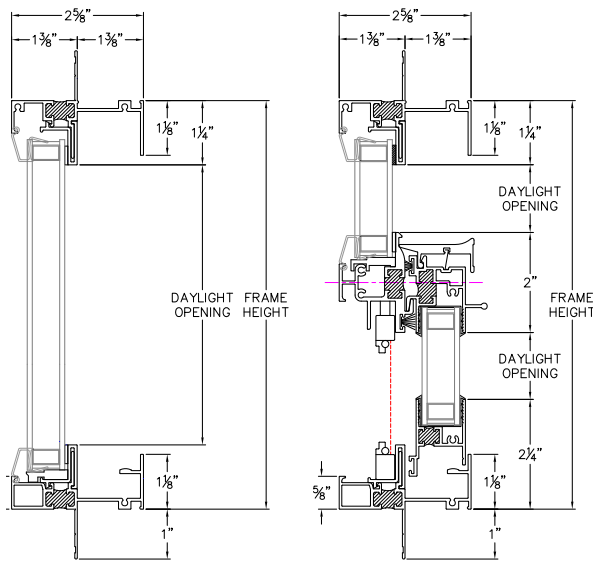
Thermally Improved Aluminum Single Hung Window

1-3/8" Nailfin Setback - next to Picture

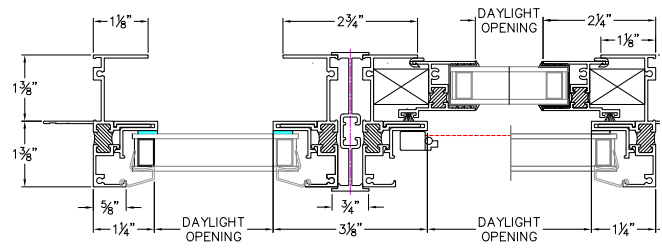
CAD File Scale	View	File Name	Units
NTS	Horizontal & Vertical	Aluminum_TIE_1520_SH_NEXT_TO_PW	Inch

More Technical Documents can be found at milgard.com/professionals
Due to continual research and development, details may be changed at any time. ©2013 Milgard Mfg.

SINGLE HUNG SERIES 1520



HEAD & SILL



JAMBS

Revit, SketchUp, .PDF and .DWG files can be accessed at milgard.com/professionals or clicking here:

Thermally Improved Aluminum Architectural Library

[Go back to Quick Links](#)

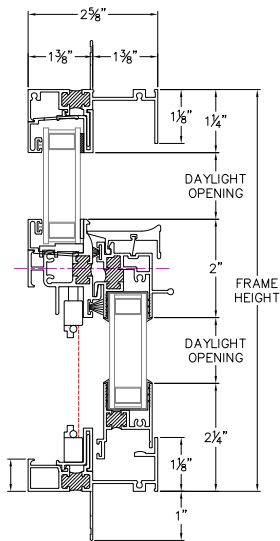
Thermally Improved Aluminum Single Hung Window

1-3/8" Nailfin Setback - Triple Single Hung

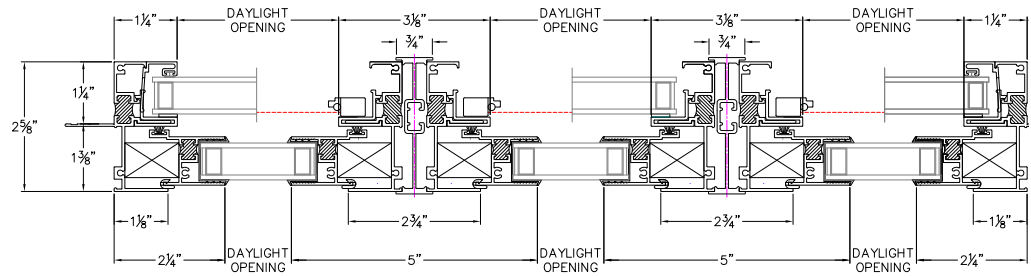
CAD File Scale	View	File Name	Units
NTS	Horizontal & Vertical	Aluminum TIE 1520 Triple SH	Inch

More Technical Documents can be found at milgard.com/professionals
Due to continual research and development, details may be changed at any time. ©2013 Milgard Mfg.

SINGLE HUNG SERIES 1520



HEAD & SILL



JAMBS

Revit, SketchUp, .PDF and .DWG files can be accessed at milgard.com/professionals or clicking here:

Thermally Improved Aluminum Architectural Library

[Go back to Quick Links](#)