

TUSCANY® SERIES MONTECITO® SERIES

Premium Vinyl Windows
& Patio Doors

Architectural Manual



Instructions on how to use this manual:

This document has been designed for easy navigation and to quickly click to the section you need. Here's some important tips on using this document:

- Any item print in **red**, will click through to the corresponding item.
- Click to any item in the Table of Contents on **page 3**. Click on the Milgard logo at the top of any page to return to the Table of Contents - FULL MANUAL ONLY.
- From each section's Quick Links page, click to any Drawing listed.
- From any Drawing page, click the "Go Back to Quick Links" box on the bottom right of the page to return to the list of drawings.
- Click on the links on the bottom of the page to go to Revit, SketchUp . PDF and .DWG files. Please note that you must have internet access for these links and you will be re-directed to the Milgard site.
- This document can also be navigated from Adobe Acrobat Bookmarks.

Revit, SketchUp, .PDF and .DWG files can be accessed at
milgard.com/professionals/technical-resources

Contents

Differences between Tuscany and Montecito Series _____	4	Drawings - Quick Links _____	67
New Construction vs. Retrofit _____	4	Horizontal Sliding Window _____	68
Screens _____	4	Double Horizontal Sliding Window _____	82
Awning and Casement Hardware _____	4	Picture and Radius Window _____	90
Warranty _____	4	Configurations _____	91
Components _____	4	Minimum/Maximum Sizes _____	91
Available Operating Styles _____	4	Available Frame Styles _____	91
Frame _____	4	Drawings - Quick Links _____	92
Frame Differences _____	5	Picture/Radius Window _____	93
Block Frame _____	5	Single Hung and Double Hung Window _____	104
Z-Bar (Standard and Wide) _____	5	SH Configurations _____	105
Fin Setbacks _____	5	SH Minimum/Maximum Sizes _____	105
Weep System _____	5	SH Available Frame Styles _____	105
Glazing Material _____	6	DH Configurations _____	106
Vent Panel _____	6	DH Minimum/Maximum Sizes _____	106
Weatherstripping _____	6	DH Available Frame Styles _____	106
Roller Assembly _____	6	Drawings - Quick Links _____	107
Locking Assembly _____	6	Single Hung Window _____	108
Screen _____	6	Double Hung Window _____	122
Options _____	7	Bay & Bow Window _____	130
Grids _____	7	Configurations _____	131
Window Hardware _____	8	Minimum/Maximum Sizes _____	131
SmartTouch® Lock _____	8	Available Frame Styles _____	131
Tuscany Awning/Casement Handle _____	8	Drawings - Quick Links _____	132
Montecito Awning/Casement Handles _____	8	Bay Window Drawings _____	133
Door Hardware _____	9	Bow Window Drawings _____	135
SmartTouch® Interior Door Handle _____	9	Cable Bay Window _____	138
Decorative Interior Handle _____	9	Configurations _____	139
Swing Door Handle _____	9	Minimum/Maximum Sizes _____	139
Premium Exterior Vinyl Finishes _____	10	Available Frame Styles _____	139
Full Lifetime Warranty _____	11	Cable _____	139
Awning Window _____	12	Seat Boards _____	139
Configurations _____	13	Drawings - Quick Links _____	140
Minimum/Maximum Sizes _____	13	Support System Installation Guide _____	141
Available Frame Styles _____	13	Cable Bay Window Drawings _____	143
Drawings - Quick Links _____	14	Sliding Patio Doors _____	171
Awning Window _____	15	Configurations _____	172
Fixed Awning Window _____	26	Minimum/Maximum Sizes _____	172
Casement Window _____	36	Available Frame Styles _____	172
Configurations _____	37	Other _____	172
Minimum/Maximum Sizes _____	37	Drawings - Quick Links _____	173
Available Frame Styles _____	37	Sliding Patio Door _____	174
Drawings - Quick Links _____	38	French Sliding Patio Door _____	187
Casement Window _____	39	Swing Patio Doors _____	200
Fixed Casement Window _____	54	Configurations _____	201
Horizontal Sliding and		Minimum/Maximum Sizes _____	201
Double Horizontal Sliding Window _____	64	Available Frame Styles _____	201
Hz Configurations _____	65	Other _____	201
Hz Minimum/Maximum Sizes _____	65	Drawings - Quick Links _____	202
Hz Available Frame Styles _____	65	French In-Swing Patio Door _____	203
DHZ Configurations _____	66	French Out-Swing Patio Door _____	206
DHZ Minimum/Maximum Sizes _____	66		
DHZ Available Frame Styles _____	66		

About Tuscany® & Montecito® Series

Differences between Tuscany and Montecito Series

Tuscany Series and Montecito Series windows and doors are aesthetically the same but there are some important differences:

New Construction vs. Retrofit

Tuscany Series can be used for new construction or retrofit applications as it offers block frame and Z-bar frames in addition to nail fins.

Montecito Series is only available with nail fins and used for new construction exclusively (see page 5).

Screens

PureView® premium mesh screens with a pull rail frame are available on Tuscany Series only. Montecito Series come with standard screens.

Awning and Casement Hardware

Tuscany Series awning and casement windows come with folding nesting hardware while Montecito Series comes with standard hardware (see page 8).

Warranty

Both products come standard with the Full Lifetime Warranty, and only Tuscany Series comes with Glass Breakage Coverage.

Components

Available Operating Styles

Find frame styles for each operating style:

Awning

Fixed Awning

Casement

Fixed Casement

Horizontal Sliding (Half Vent)

Double Horizontal Sliding

Single Hung

Double Hung

Picture/Radius

Bay/Bow

Cable Bay

Sliding Patio Door

Swing Patio Door

Not all operating styles available at all Milgard locations.

Contact your sales representative for more information.

Frame

Tuscany Series and Montecito Series frame components are made of a high performance uPVC, rigid polyvinyl chloride material, custom compounded for superior impact resistance, color retention and weather resistance. The frame and sash corners are all precision mitered and fusion welded for a lifetime of air and water resistance.

The Tuscany Series and Montecito Series meets or exceeds the AAMA/WDMA/CSA 101/I.S.2/A 440-05 Industry Specification for Windows and Doors. They are also tested for Forced Entry Resistance to the ASTM F588-97 standard, Grade 20 level. Each window is labeled with the NFRC Energy Star performance information, based on the type of glazing you select.

Frame Differences

Tuscany and Montecito have the same aesthetic design but there are differences in the frame and the applications they are used. Montecito Series is primarily used in new construction applications and comes with various nail fins. Tuscany Series can also be used in new construction with the same nail fin options, but is also available in retrofit applications such as block frame and Z-bar.

Here are the details on each:

Block Frame

(Tuscany only)

The block frame style is a window frame profile without a nail fin. The block frame allows an installer to insert the replacement window into the existing frame, without disturbing the home's internal or external wall surfaces. Installation method includes carefully drilling through the jamb.

Z-Bar (Standard and Wide)

(Tuscany only)

Two extruded Z-bar frame choices are available with Tuscany series, standard (1-5/8") and wide (2-1/8"). Z-bar installation, the method of removing the aluminum or steel sash but leaving the frame in place, is ideal with aluminum retrofit in stucco applications and can save a significant amount on installation costs.

Nail-On Fin

(Tuscany and Montecito)

1-1/4" or 2" fin widths available.

A pre-punched nail flange extends around the perimeter frame, securing the window in rough openings and acting as a part of the flashing system.

Fin Setbacks

(Tuscany and Montecito)

- 1-3/8" nail fin setback (1-1/4" or 2" pre-punched nail flange)
- 1" nail fin setback with stucco key (1-1/4" pre-punched nail flange)

The 2" pre-punched nail flange frame also has an exterior accessory groove which allows for optional J-channel trim:

- 2" Brickmold
- 1" Contour
- 3/4" Flat

The 2" brickmold is applied in the field on the window, and snapped in-place after window installation. The 1" contour and 3/4" flat J-channel options are welded in place at the factory.

All trim options are extruded by Milgard and are available in white and tan.

Weep System

Hollow sill construction and offset weep baffles release any accumulated moisture from the sill pockets and help prevent blow back, and helps control the water flow caused by a combination of wind and rain.

Glazing Material

AAMA-approved glazing tape adheres glass to the fixed and vent panel frames which seals and cushions the glass. Rigid vinyl setting blocks are used to support the unit above the sill, preventing glass shear (glass in the insulated unit becomes offset). Extruded vinyl glazing (snap-in) bead is applied around the interior edge.

“Interior glazing” makes replacement of glazing unit convenient; bead is mitered at 45 degree for a finished look. Insulating dual glazed panes have a 7/8” overall glass thickness (3/4” for double hungs), are dual seal equivalent, sealed for optimal energy efficiency. All Tuscany and Montecito windows currently meet or exceed ENERGY STAR® performance in all climate zones with a 0.35 u-factor or lower. Specialty glass options are available upon request which can help achieve as much as a 26% improvement in u-factor. Specialty glass options for privacy, noise abatement and aesthetics are available upon request.

Vent Panel

The vent panel has an “L” shaped lip that fully interlocks with the vertical meeting rail, adding security and preventing air and water penetration. Its roller assembly rides on a monorail reversible track for easy operation and durability. This raised track in the frame sill helps keep the vent panel free from interference by foreign particles that may collect in the sill.

The Tuscany Series has been designed with equal sight lines resulting in the same size glazing unit for both the fixed and vent panels. This is not only visually appealing but offers simplified field maintenance and can often result in common-sized window screens for

window systems of more than two units.

Weatherstripping

Silicone-treated water-repellent polypropylene fin seal weatherstripping provides a durable, weather tight seal. Two continuous rows of weatherstripping around the vent panel provide a superior weather-tight seal. The first row is a flexible TPE leaf seal that acts as the primary water barrier. The second row is a compression style, TPV wrapped closed-cell foam, bulb seal that provides exceptional protection against air infiltration.

Roller Assembly

Self-lubricating, wear resistant, dual nylon rollers with stainless steel axles provide flexible, free-wheeling, smooth and silent operation. The adjustable rollers are engineered for reduction of friction and torque on operable vent frames.

Locking Assembly

Milgard’s exclusive patented SmartTouch® direct action lock mechanism provides security and finger-tip operation. The lock engages when the window is closed. The lock offers a visual indicator that when the window is closed, it is also locked. The SmartTouch® lock is unlike most locking mechanisms available today as it requires no squeezing or twisting to operate, making it ideal in universal design.

Screen

Milgard’s exclusive PureView® screen frames are cambered aluminum, assembled with rigid nylon corner clips. Rolled pull rail provides simple installation and removal. Screens come standard with matching frame color. PureView’s innovative screen uses smaller diameter yarn, improving

the interior view. The finer mesh also reduces the appearance of a screen, enhancing curb appeal. PureView's fiberglass charcoal screen mesh is strong, durable and easy to replace. All screens are under one year warranty. PureView screen with pull rail are available only on Tuscany Series.

Energy Packages

Milgard adheres to ENERGY STAR® v6 requirements to meet or exceed U-Factor and Solar Heat Gain Coefficient (SHGC) criteria for all ENERGY STAR® zones.

Milgard also offers high energy performance options for the ultimate in energy efficiency. Energy efficient windows could include one or more of the following features based on your climate.

- SunCoat® or SunCoatMAX®
- EdgeGardMAX®
- Argon or Krypton
- 4th Surface
- Triple Glaze

For more details on Milgard Energy Efficient packages, visit www.milgard.com/learn/energy-efficiency/energy-efficient-components

To check the energy performance of all Milgard windows and doors, use our Energy Calculator at:

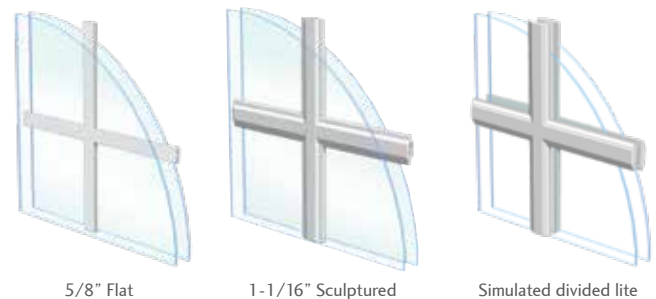
milgard.com/energy-calculator

Options

Grids

Available in 5/8" flat or 1-1/16" sculptured aluminum profiles. Simulated divided lite (SDL) grids are also available in some locations, using 5/8" grids between the glass panes for three dimensional shadowing as well as 7/8" contoured vinyl grid applied to the interior and exterior glass panes.

All grids are color matched to frame in white or tan.



Full Lifetime Warranty and Glass Breakage Coverage

Full Lifetime Warranty is available on both Tuscany and Montecito Series with Glass Breakage Coverage available on Tuscany only. For complete warranty details visit milgard.com.

Caution: The use of petroleum based fuels or solvents as release agents in stucco wall installations or glass cleaning will chemically attack materials used in seals and other components, and voids the Milgard Warranty. The use of wax-based release agents is recommended.

Expanding foam for insulation purposes should not be used. Backer rod or loose packed fiberglass bat insulation is recommended.

Window Hardware

SmartTouch® Lock

Horizontal Slider - Single Hung - Double Hung

It's the easiest, smartest way to lock and unlock a window or door, and also assures you that when your window is closed, it's locked.

Responding to consumer needs for products that are easy to operate and maintain, Milgard developed the innovative SmartTouch window lock and door handle.

The SmartTouch window lock won a prestigious IDEA award (International Design Excellence) from the Industrial Designers Society of America in 2008. The SmartTouch door handle won the same IDEA award in 2012.



Tuscany Awning/Casement Handle

Folding, nesting operator handle



Montecito Awning/Casement Handles

Operator handle (standard)



Folding operator handle (upgrade)

Door Hardware



SmartTouch® Interior Door Handle

Milgard's patent-pending SmartTouch® door handle is easy to operate and lock. The lock and handle also increase security with a tough locking mechanism that exceeds all California forced-entry requirements.



White



Tan

Decorative Interior Handle



Brushed
Chrome

Brushed
Nickel

Oil-Rubbed
Bronze

Clay
(not available in
all locations)



Swing Door Handle

Interior Finishes:

- White
- Tan
- Brushed Nickel
- Brushed Chrome
- Oil Rubbed Bronze

Exterior Finishes:

- White
- Tan
- Black
- Brushed Chrome
- Oil Rubbed Bronze



Brushed
Chrome



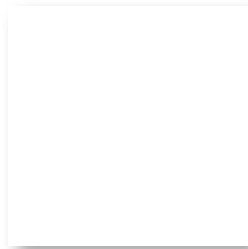
Brushed
Nickel



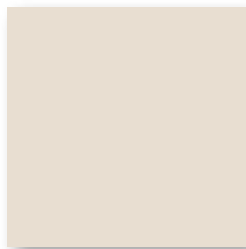
Oil Rubbed
Bronze

Premium Exterior Vinyl Finishes

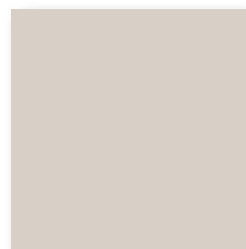
Standard - Matching interior



White



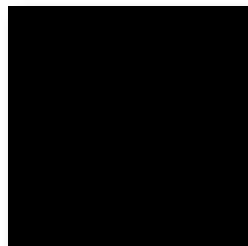
Tan



Clay

(available in select regions)

Premium - White interior only



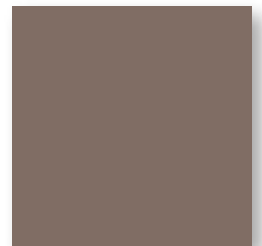
Bronze



Espresso



Classic Brown



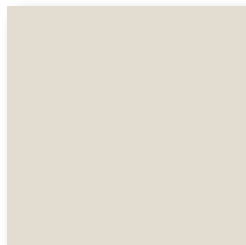
Tweed



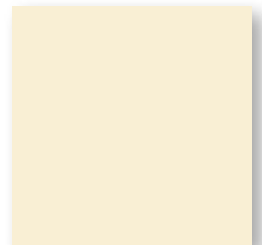
Silver



Fog



Sand



Ivory

Full Lifetime Warranty

At Milgard, we build our windows and doors to last. With the dedication to quality that we put into building the best windows in the business, it wouldn't make sense to back them with anything but the best warranty in the business. That's why we back every properly installed window and door for as long as the homeowner owns their home—including parts and labor. Tuscany Series windows and doors also come standard with Glass Breakage Coverage. It's why you can be sure you won't find any windows better than Milgard.

For complete warranty details, visit milgard.com.



Why Milgard?

Milgard is one of the largest and most trusted names in windows and doors. For the last 50 years, we've demonstrated our commitment to innovation, quality and service.

While our coverage is extensive, our service is local. Milgard has multiple locations throughout the Western U.S. and Western Canada. Our belief is that by being close to our customers, we can provide them better service. This means faster lead and delivery time, as well as faster response to any warranty situations. We're there for you long after the job has been completed. Milgard also has a comprehensive network of qualified dealers and offers some of the best training in the industry.

Awards give you added assurances and Milgard has been named "Best Quality in the Nation" eight times and the nation's "Most Used Vinyl Window" four times by Builder magazine. Both Professional Remodeler and Professional Builder magazines have named us "Most Preferred Vinyl Window" three times.

Bay & Bow Window



Milgard's Bay Windows include 18", 24" or 30" "flankers" or side windows, joined at 45 degrees to a picture window in the center. Flankers are available in picture, single-hung, or casement windows.

Milgard's Bow Windows are standard in 3', 4', or 5' heights joined at 13 degrees in overall size from 5'1" to 10'5". Flankers are available in picture, single-hung, casement or awning windows.

Milgard Vinyl Bay/Bow Windows are available in custom sizes to match almost any design, either new or retrofit.



The Tuscany Series and Montecito Series vinyl windows offer the outstanding insulating properties, low maintenance, and contemporary aesthetic appeal only vinyl can provide. Available in white, tan, and clay (select regions), as well as premium painted exteriors. The windows will maintain their color and shape and can be constructed to your exact size specifications, subject to engineering review.

Please also see:

[Window Hardware](#)

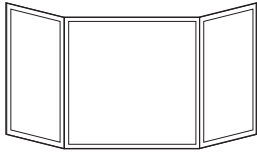
[Premium Exterior Vinyl Finishes](#)

[Full Lifetime Warranty](#)

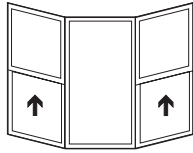
[Energy Packages](#)

[Accessories](#)

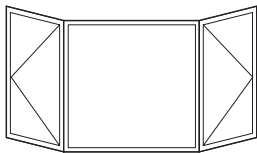
Bay & Bow Window Configurations



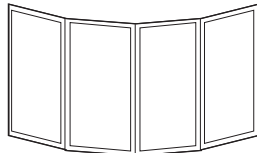
Bay Picture



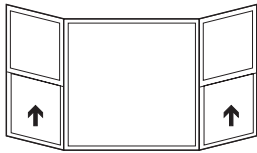
Bow Single Hung
3-segment



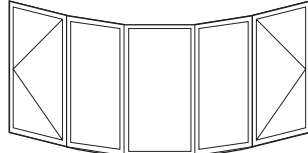
Bay Casement



Bow Picture
4-segment



Bay Single Hung



Bow Casement
5-segment

Minimum/Maximum Sizes

BAY PICTURE

- Min 4⁰¹6 Max 8⁰⁵0

BAY SINGLE-HUNG

- Min 4⁰²6 Max 8⁰⁵0

BAY CASEMENT

- Min 4⁰¹6 Max 8⁰⁵0

BOW 3-SEGMENT

- Picture, Casement Min 5⁰¹6 Max 6⁰⁵0
- Single Hung Min 5⁰²6 Max 6⁰⁵0

BOW 4-SEGMENT

- Picture, Casement Min 6⁰¹6 Max 8⁰⁵0
- Single Hung Min 6⁰²6 Max 8⁰⁵0

BOW 5-SEGMENT

- Picture, Casement Min 8⁰¹6 Max 10⁰⁵0
- Single Hung Min 8⁰²6 Max 10⁰⁵0

Available Frame Styles

A 1-1/4" or 2" pre-punched nail flange extends around the perimeter frame, securing the window in rough openings and acting as a part of the flashing system. Fin setbacks are available in 1-3/8" from outside of frame; also in 1" for our SW locations using 3 coat stucco applications (not available at all locations).

NOTE: For engineering approval contact your Milgard representative for any configuration over 40 square feet. Each Milgard Manufacturing plant reserves the right to alter or change sizes and configurations according to location capabilities. Ask your Milgard rep about specialty applications. Windows over 40 square feet shipped open for field glazing. Varies by location.

Not all frame styles available at all Milgard locations. Contact your Milgard Representative for more information.

Drawings - Quick Links

Bay Window Drawings

128—1-3/8" Fin Setback

129—1" Fin Setback w/Stucco Key

Bow Window Drawings

130—Dimensions

131—1-3/8 inch Fin Setback

132—Southwest 1" Fin Setback

Revit, SketchUp, .PDF and .DWG files can be accessed at
milgard.com/professionals/technical-resources

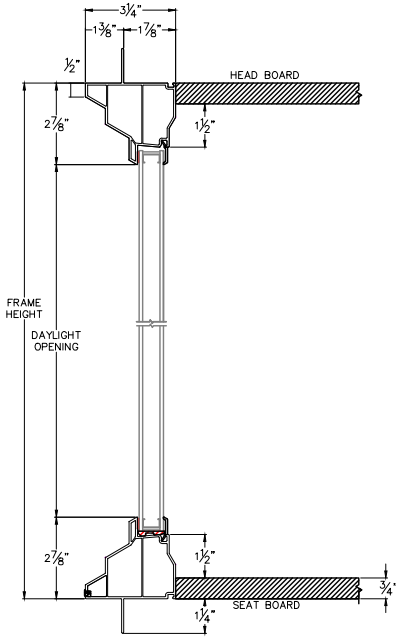
Bay Window Drawings

1-3/8" Fin Setback

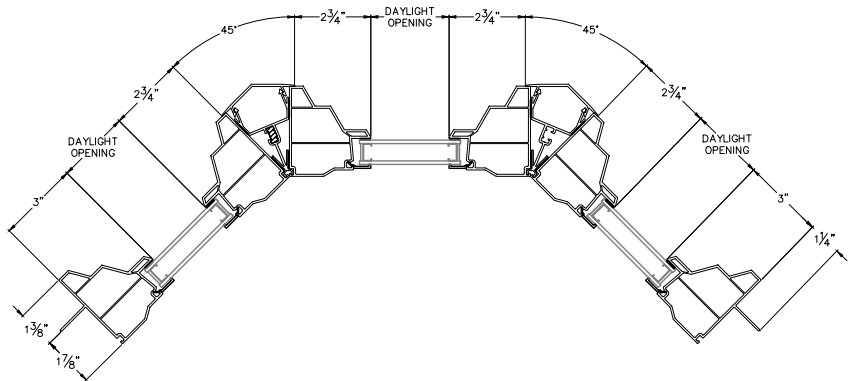
CAD File Scale	View	File Name	Units
NTS	Horizontal & Vertical	Montecito_8000_Bay_1.375in	Inch

More Technical Documents can be found at milgard.com/professionals
Due to continual research and development, details may be changed at any time. ©2013 Milgard Mfg.

BAY WINDOW SERIES 8000



HEAD & SILL



JAMBS

Revit, SketchUp, .PDF and .DWG files can be accessed at
milgard.com/professionals/technical-resources

[Go back to Quick Links](#)

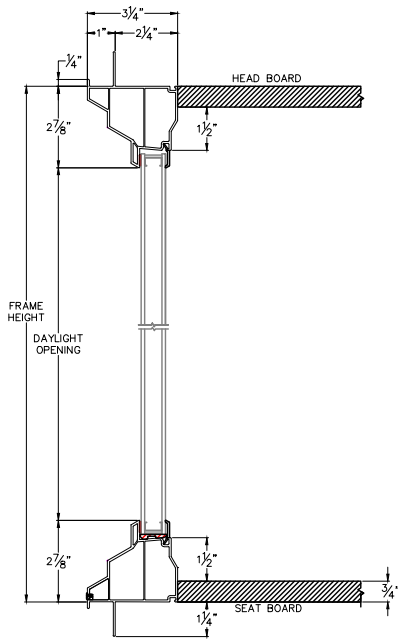
Bay Window Drawings

1" Fin Setback w/Stucco Key

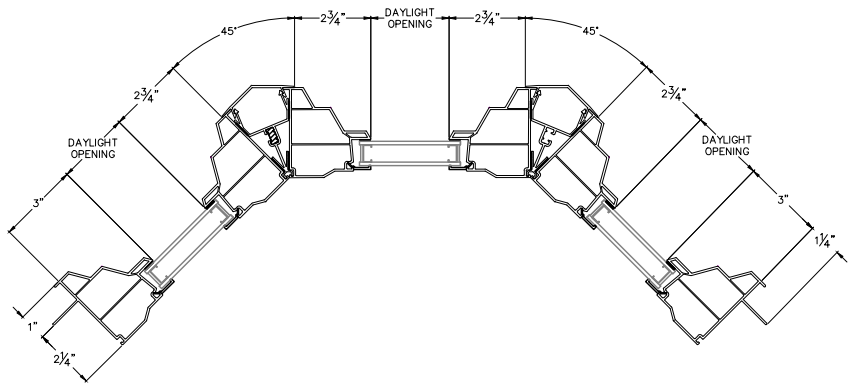
CAD File Scale	View	File Name	Units
NTS	Horizontal & Vertical	Tuscany_8000_Bay_1.in	Inch

More Technical Documents can be found at milgard.com/professionals
Due to continual research and development, details may be changed at any time. ©2013 Milgard Mfg.

BAY WINDOW SERIES 8000



HEAD & SILL



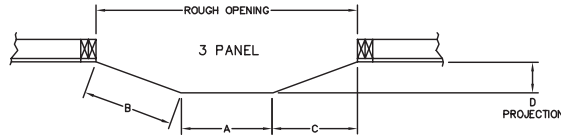
JAMBS

Revit, SketchUp, .PDF and .DWG files can be accessed at
milgard.com/professionals/technical-resources

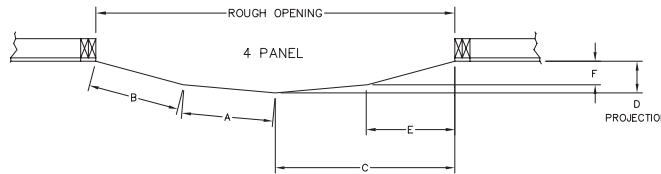
[Go back to Quick Links](#)

Bow Window Drawings

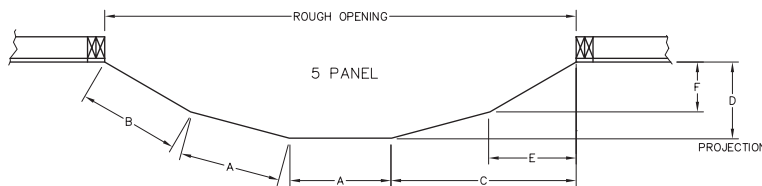
Dimensions



RO WIDTH	A	B	C	D	Panel Width	
					1 3/8"	1"
48"	16 1/4"	16 1/4"	15 7/8"	3 11/16"	15 13/16"	15 3/4"
60"	20 5/16"	20 3/8"	19 13/16"	4 9/16"	19 7/8"	19 13/16"
72"	24 3/8"	24 7/16"	23 13/16"	5 1/2"	23 15/16"	23 7/8"
84"	28 7/16"	28 1/2"	27 3/4"	6 7/16"	28"	27 15/16"



RO WIDTH	A	B	C	D	E	F	Panel Width	
							1 3/8"	1"
72"	18 9/16"	18 5/8"	36"	8 5/16"	17 1/2"	6 3/16"	18 1/8"	18 1/16"
84"	21 11/16"	21 11/16"	42"	9 11/16"	20 7/16"	7 1/4"	21 1/4"	21 3/16"
96"	24 3/4"	24 13/16"	48"	11 1/16"	23 3/8"	8 1/4"	24 5/16"	24 1/4"
108"	27 7/8"	27 7/8"	54"	12 7/16"	26 5/16"	9 5/16"	27 7/16"	27 3/8"
120"	30 15/16"	31"	60"	13 13/16"	29 3/16"	10 5/16"	30 1/2"	30 7/16"



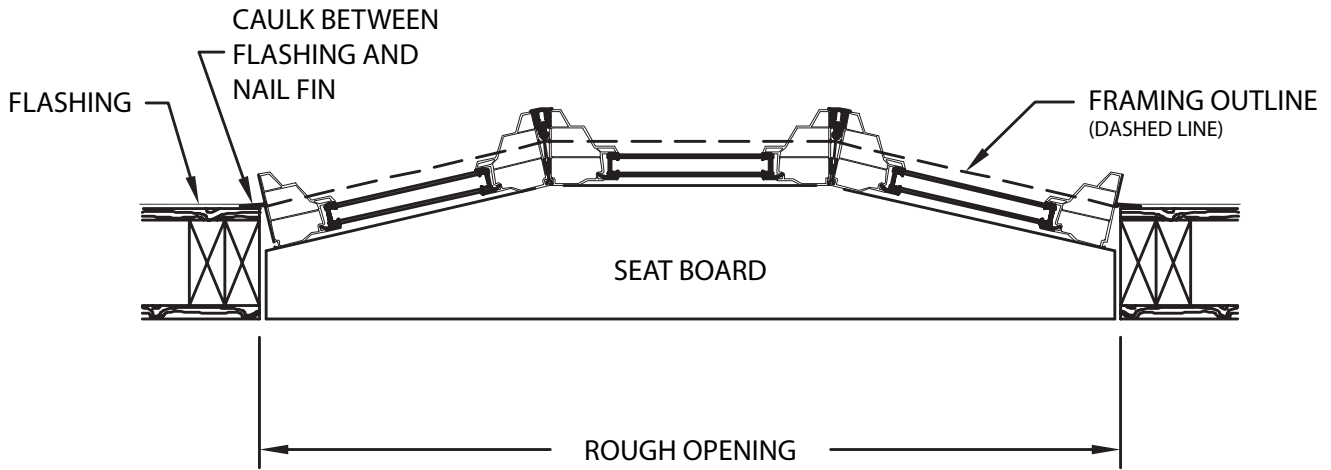
RO WIDTH	A	B	C	D	E	F	Panel Width	
							1 3/8"	1"
96"	20 1/4"	20 1/4"	37 7/8"	13 7/16"	18 3/16"	8 7/8"	19 13/16"	19 3/4"
108"	22 3/4"	22 3/4"	42 5/8"	15 1/8"	20 7/16"	10"	22 5/16"	22 1/4"
120"	25 1/4"	25 5/16"	47 3/8"	16 13/16"	22 3/4"	11 1/8"	24 13/16"	24 3/4"
132"	27 13/16"	27 13/16"	52 1/8"	18 7/16"	25"	12 3/16"	27 3/8"	27 5/16"

Revit, SketchUp, .PDF and .DWG files can be accessed at milgard.com/professionals/technical-resources

[Go back to Quick Links](#)

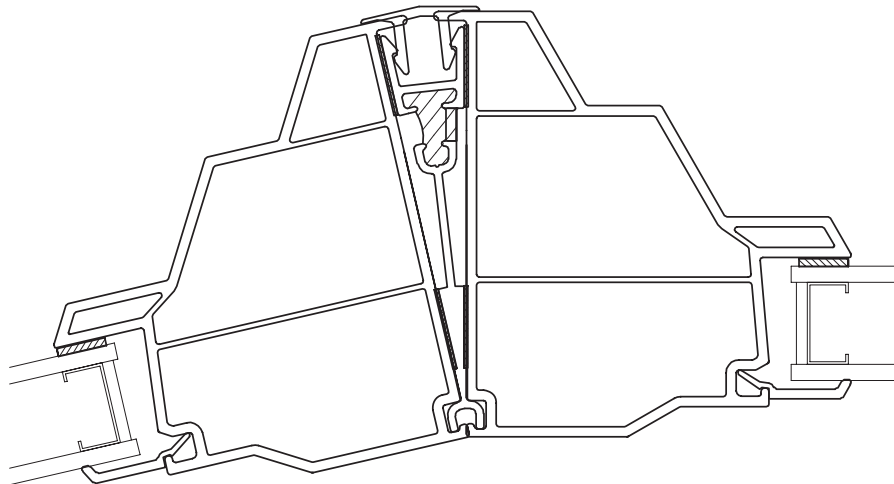
Bow Window Drawings

1-3/8 inch Fin Setback



Note: Mullion angle extrusion may or may not be thermally broken, depending on climate location.

BOW DETAIL

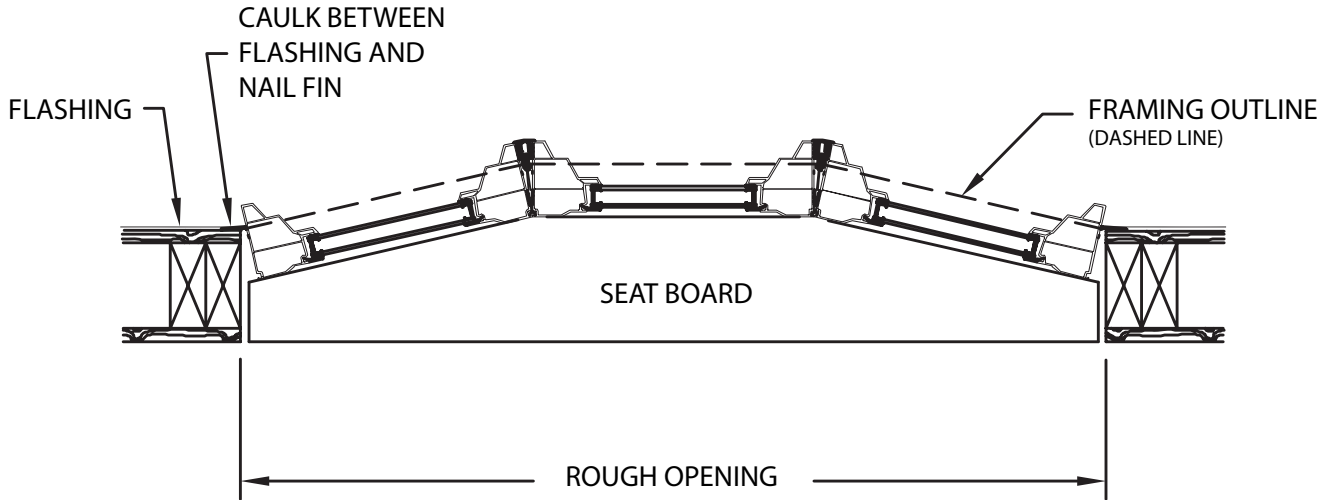


Revit, SketchUp, .PDF and .DWG files can be accessed at milgard.com/professionals/technical-resources

[Go back to Quick Links](#)

Bow Window Drawings

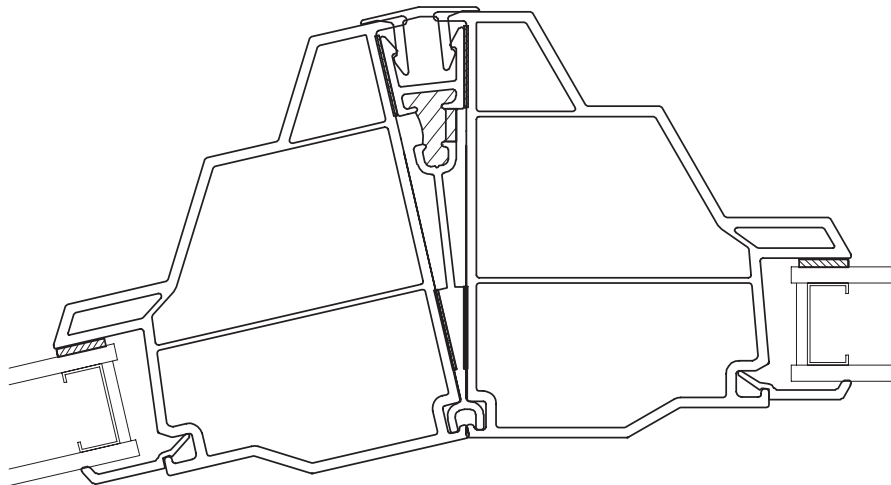
Southwest 1" Fin Setback



Note: 1" Nail fin setback available only in Southwest locations. Confirm availability with your Milgard representative.

Note: Mullion angle extrusion may or may not be thermally broken, depending on climate location.

BOW DETAIL



Revit, SketchUp, .PDF and .DWG files can be accessed at milgard.com/professionals/technical-resources

[Go back to Quick Links](#)