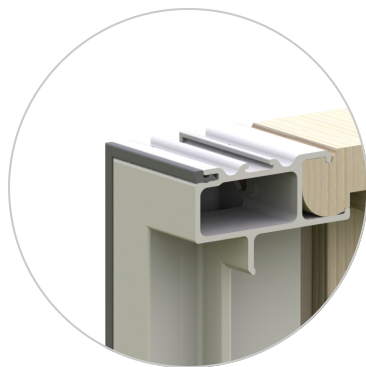




*Clearly the best.®*

# Groove Filler for an Integral Door Installation Instructions



## Groove Filler Instructions

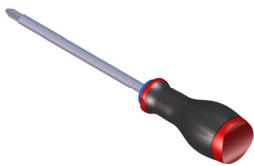
---

### For Milgard Essence Series® Windows and Doors

- Install Door per Section 9 of ASTM E2112-07 installation standard.
- Read instructions from beginning to end before assembling or installing Groove Filler
- Milgard Groove Filler does not provide structural support or function as a water barrier.
- Milgard Groove Filler does not fit Milgard Essence Insert Frames.
- Use exterior grade high quality sealants. For compatible TiteBond® Sealant colors refer to page 12.

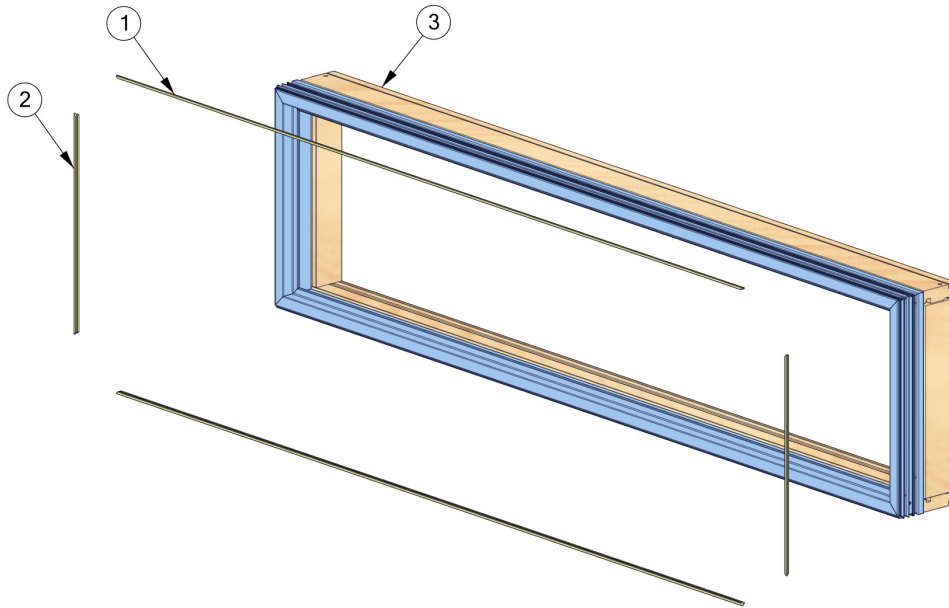
### Required Tools

Screwdriver with #2 Phillips bit



# Groove Filler Parts

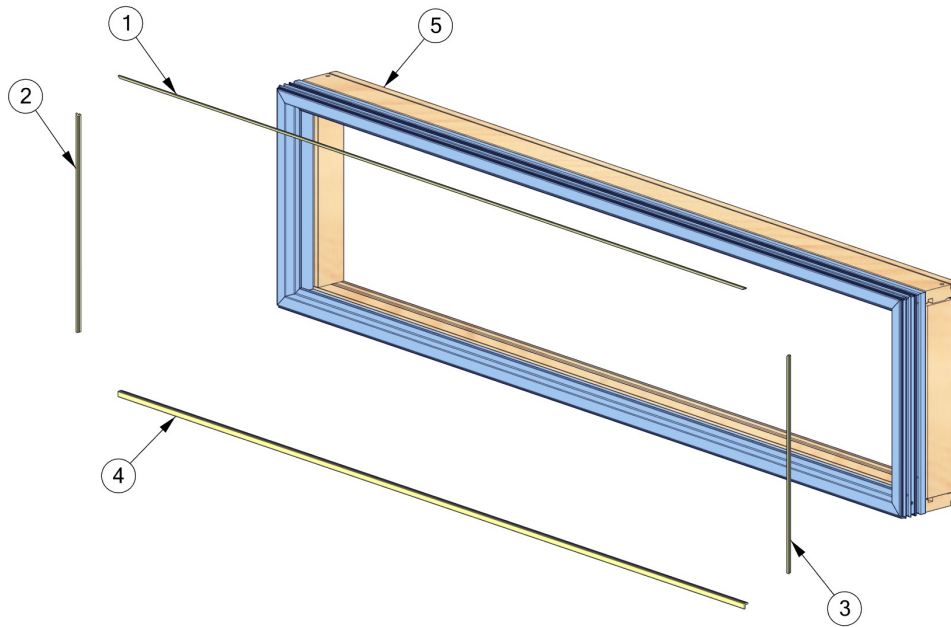
## Groove Filler All Sides



PART	DESCRIPTION	PART NUMBER
1	GROOVE FILLER - HEADER / SILL	EX7852XX
2	GROOVE FILLER - LEG	EX7852XX
3	(TRANSOM FRAME)	VARIES

## Groove Filler Parts Continued

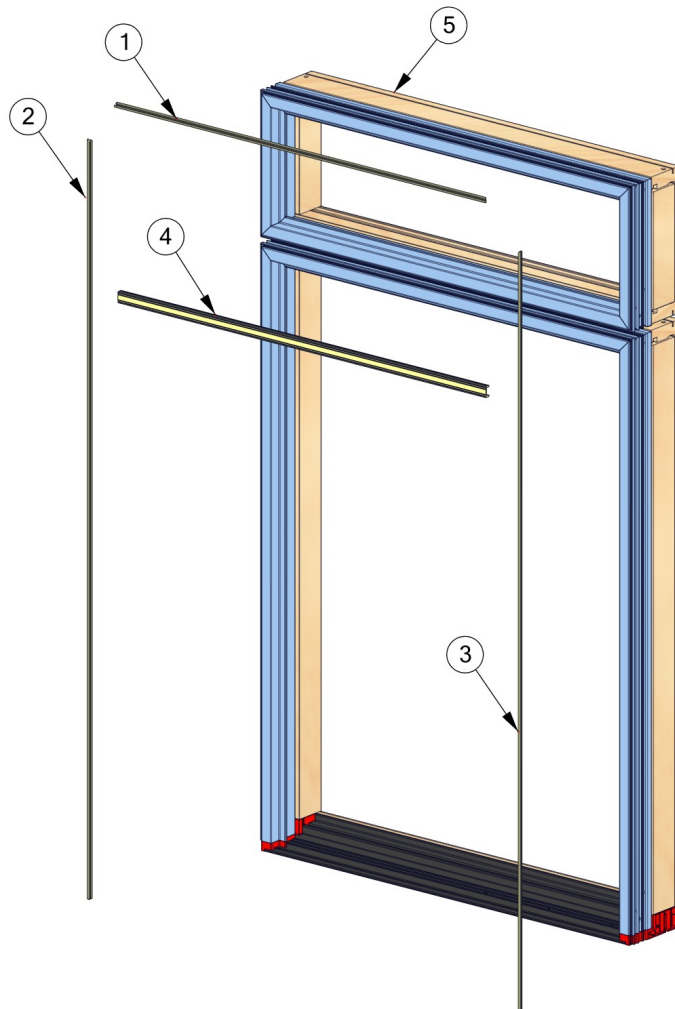
### Groove Filler with Stucco Key



PART	DESCRIPTION	PART NUMBER
1	GROOVE FILLER - HEADER	EX7852XX
2	GROOVE FILLER - LEG - LEFT	EX7852XX
3	GROOVE FILLER - LEG - RIGHT	EX7852XX
4	STUCCO KEY	EX7812XX
5	(TRANSOM FRAME)	VARIES

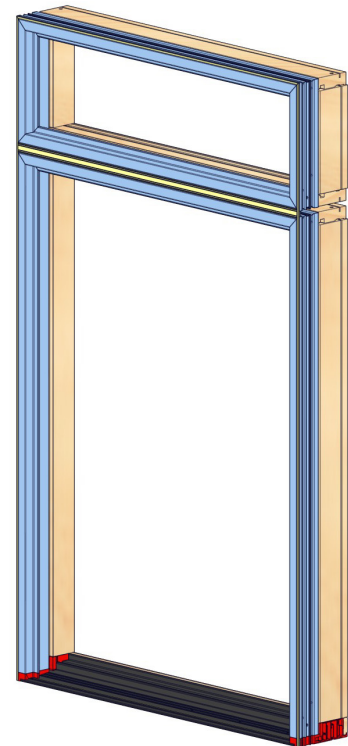
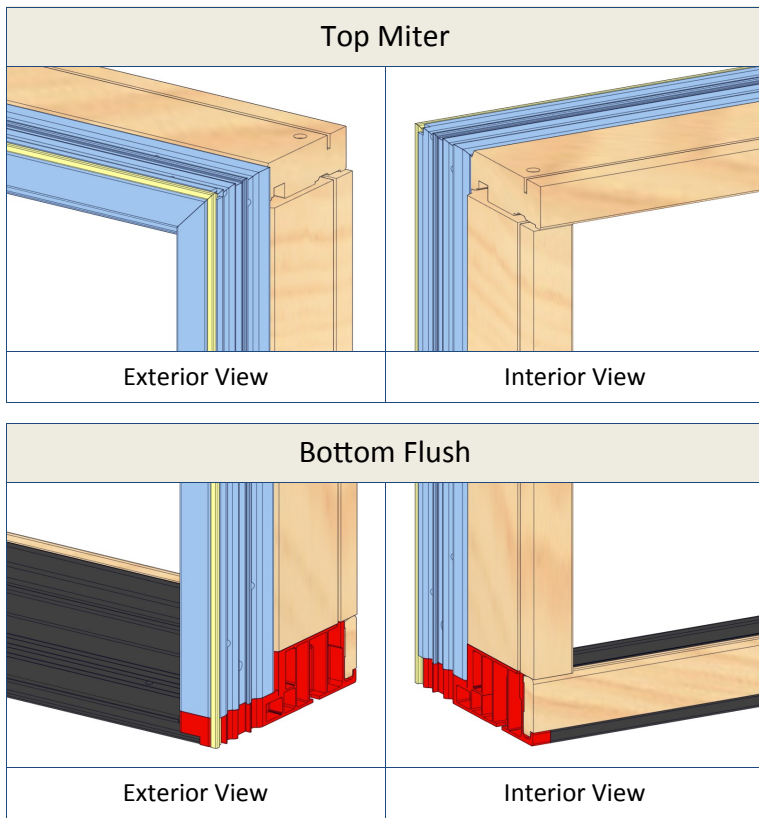
## Groove Filler Parts Continued

### Groove Filler on Door with Transom Combination


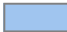


PART	DESCRIPTION	PART NUMBER
1	GROOVE FILLER - HEADER	EX7852XX
2	GROOVE FILLER - LEG - LEFT	EX7852XX
3	GROOVE FILLER - LEG - RIGHT	EX7852XX
4	FIELD MULL COVER	EX7830XX
5	(DOOR AND TRANSOM FRAME)	VARIES

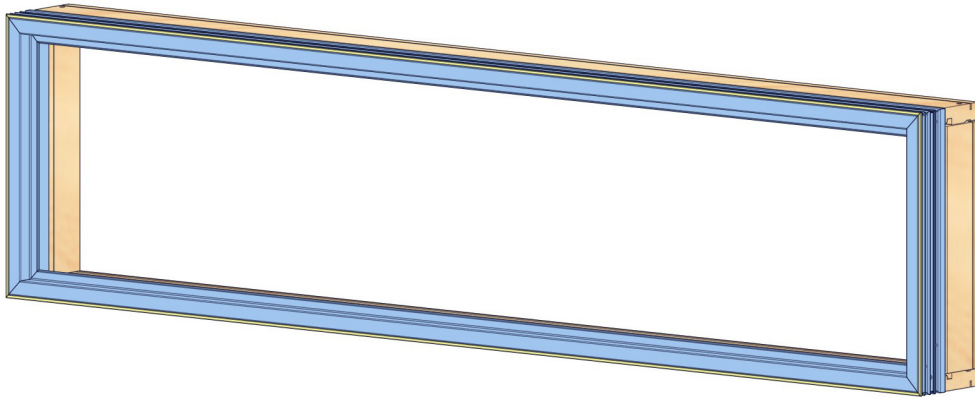
# Groove Filler Corners



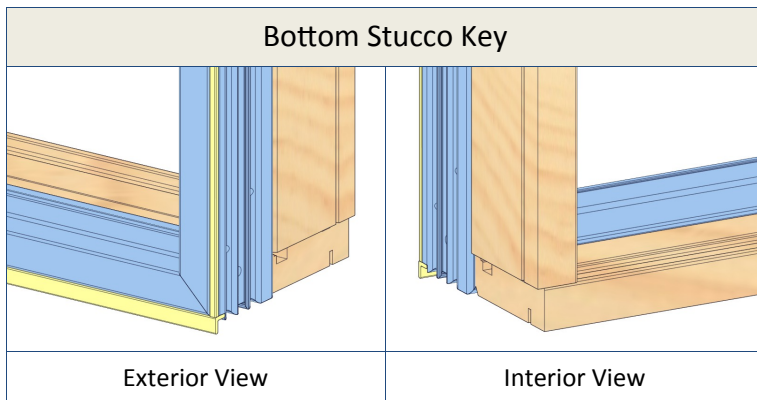
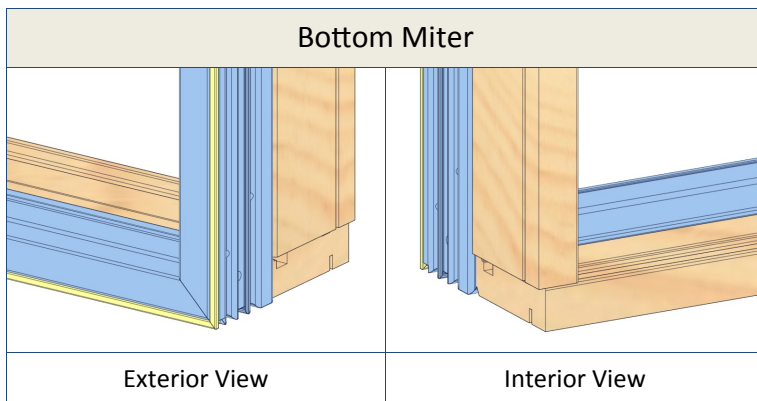
Groove Filler on Door with Transom shown


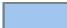
-  Groove Filler shown in yellow
-  Door and Transom Frame shown in blue

# Groove Filler Corners Continued



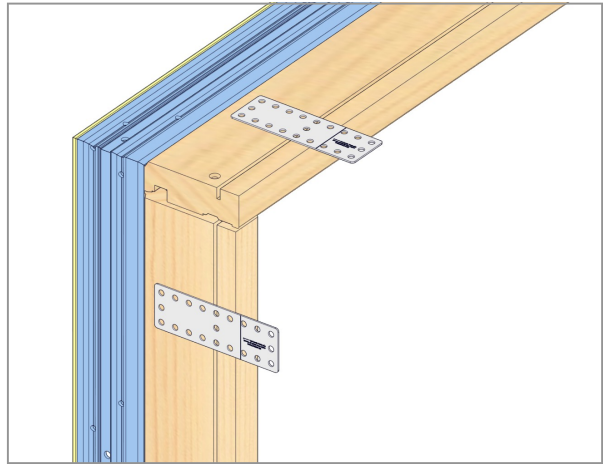
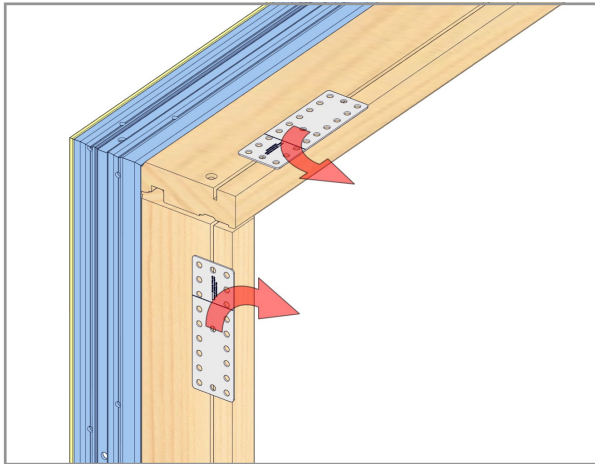
Groove Filler on Transom shown



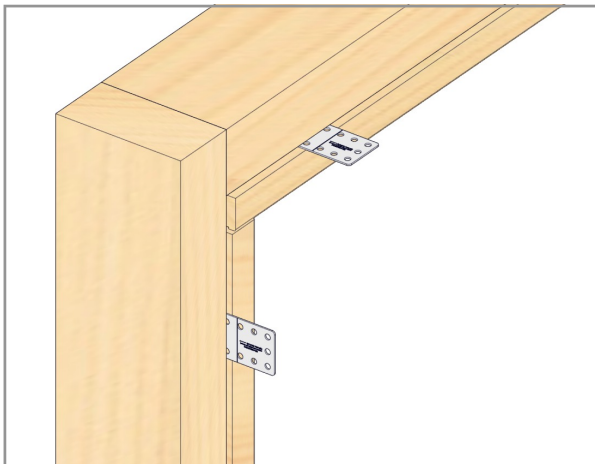
-  Groove Filler shown in yellow
-  Transom Frame shown in blue

# Installation Straps

**1** If Straps are on Door or Transom, rotate Straps 90 degrees.



**2** Push Door into opening.

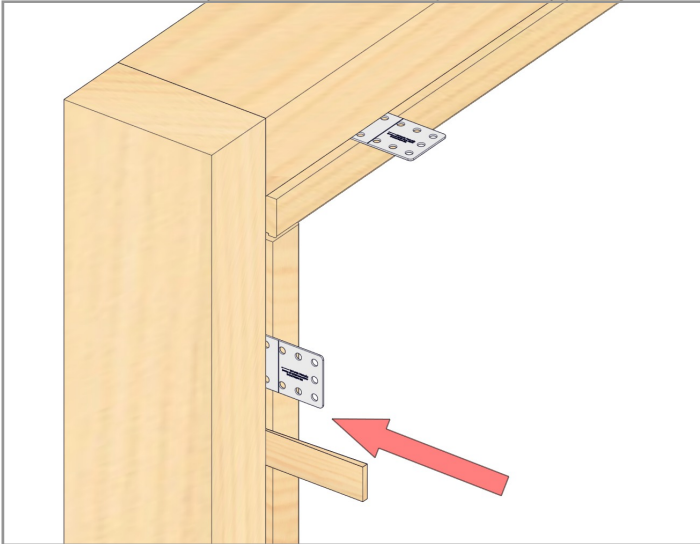


## Shimming

---

**3**

Shim next to each Installation Strap of Through the Jamb hole.



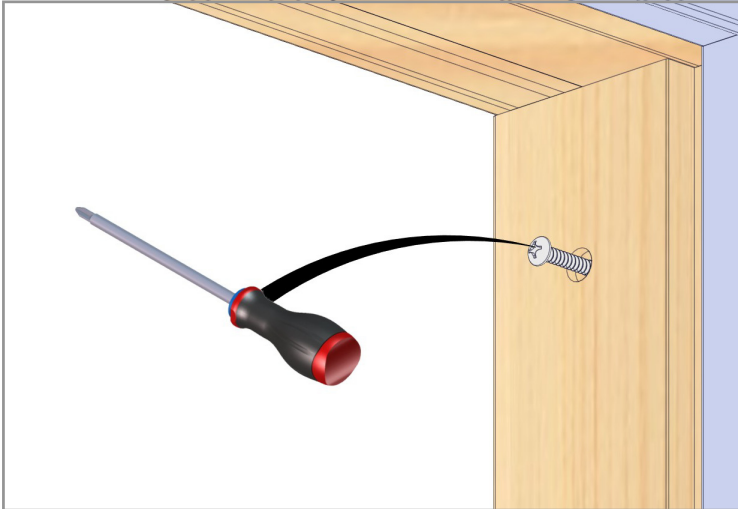
Check and Correct Door for Plum,  
Square, and Cross Leg

## Installation Screws

Skip to Step 6 if using Installation Straps

**4**

Install provided screws through wood. Fully seat screws.

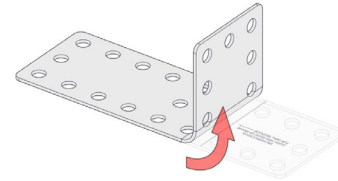
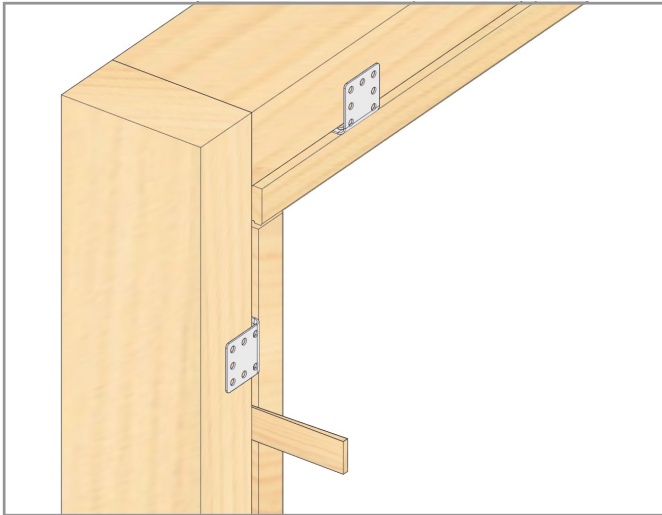


Adjust hinges and verify smooth operation if applicable.

## Installation Screws Continued

5

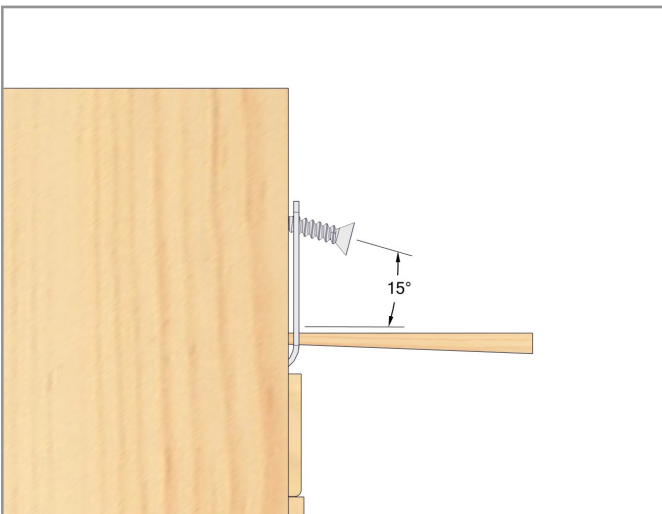
Slightly bend Installation Strap around edge of Rough Opening.



**Note:** If drywall is present, remove drywall in Strap area.

6

Install #8 x 1-5/8" Exterior Grade Screws through holes.



**Note:** Angle screw slightly (15 degrees). As you install the screw, the Strap will tighten.

**Note:** Make sure Strap and Screw Head are below outer drywall surface.

## Clean Up

---

- Wipe up any excess sealant.
- Clean up scuff marks with soap and water.

<b>TiteBond® WeatherMaster Sealant Compatible Colors</b>		
<b>Milgard Palette Color</b>	<b>Titebond® WeatherMaster™ Color Reference</b>	<b>Milgard Part Number</b>
Bark	44061	SE7673AR
Black Bean	44031	SE7673BL
Bronze	45841	SE7673ZB
Cinnamon	45521	SE7673CI
Classic Brown	44211	SE7673LW
Espresso	45661	SE7673EX
Evening Sky	45531	SE7673ES
Fern	45651	SE7673FN
Fog	46681	SE7673FO
Frost	44001	SE7673FS
Harmony	44641	SE7673HR
Ivory	45511	SE7673IV
Pea Pod	49211	SE7673PP
Sand	46041	SE7673SD
Tweed	44691	SE7673TE
Twilight	44031	SE7673BL

REVISIONS					
REV	ECN	DESCRIPTION	DATE	DRAWN	APPD.
A	3848ECNEG	RELEASE	05/21/2015	NDS	VM