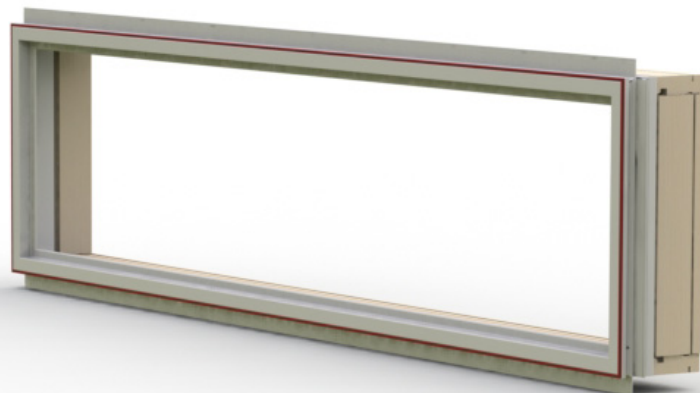
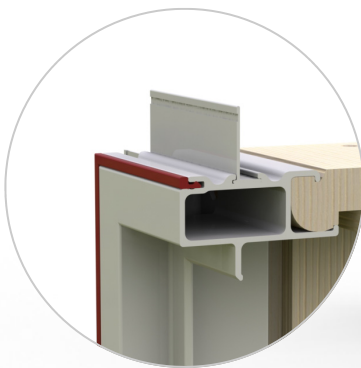




*Clearly the best.®*

# Groove Filler for a Nail Fin Transom

## Installation Instructions



## Groove Filler Instructions

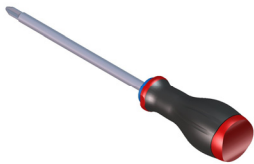
---

### For Milgard Essence Series® Windows and Doors

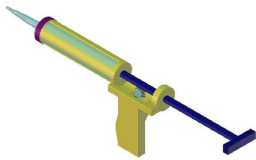
- Install Transom per AAMA 2400-10 installation standard.
- Read instructions from beginning to end before assembling or installing Groove Filler.
- Milgard Groove Filler does not provide structural support or function as a water barrier.
- Use exterior grade high quality sealants. For compatible TiteBond® Sealant colors refer to page 15.

### Required Tools

Screwdriver with #2 Phillips bit

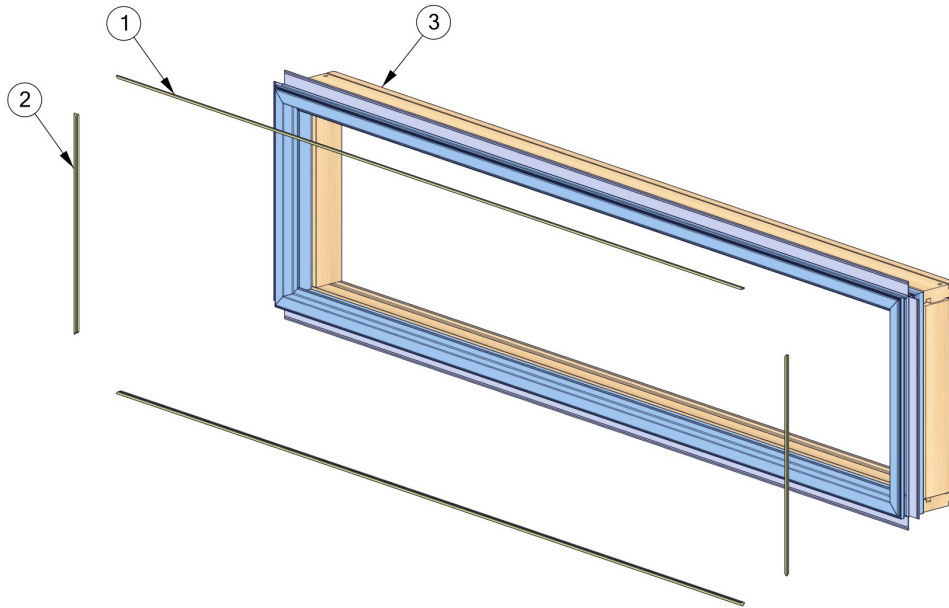


Caulking Gun



# Groove Filler Parts

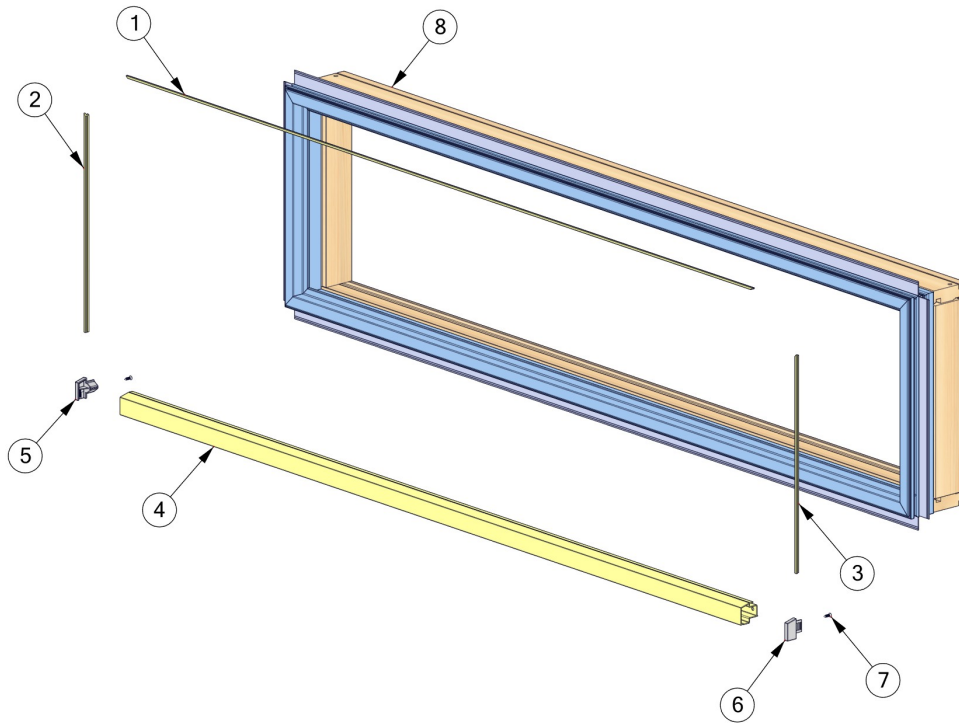
## Groove Filler All Sides



PART	DESCRIPTION	PART NUMBER
1	GROOVE FILLER - HEADER / SILL	EX7852XX
2	GROOVE FILLER - LEG	EX7852XX
3	(TRANSOM FRAME)	VARIES

# Groove Filler Continued

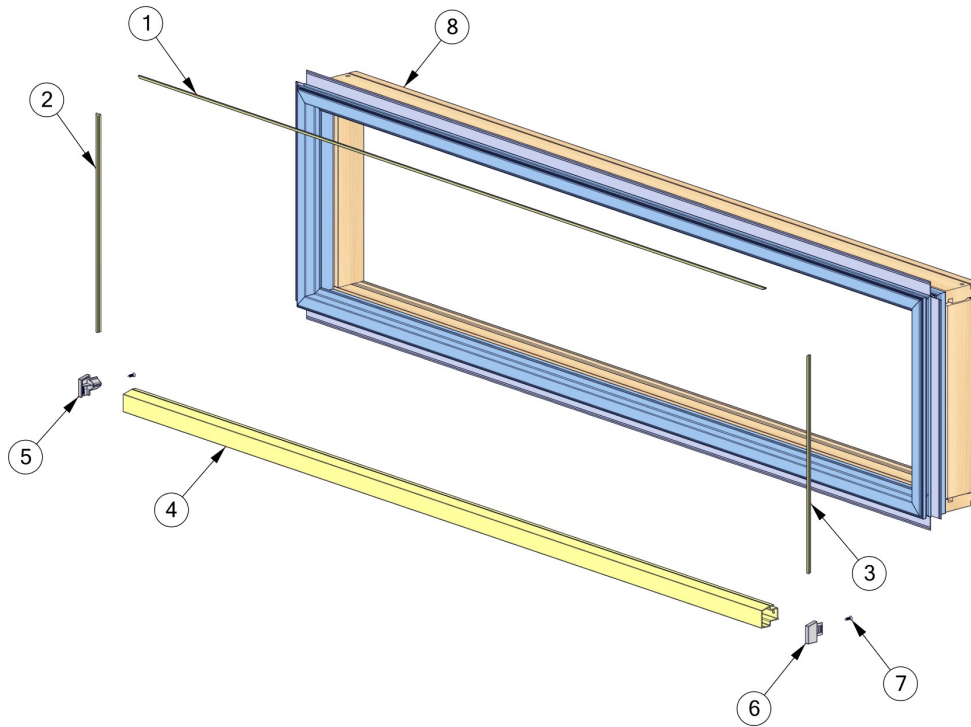
## Groove Filler with Sill Nose Flush



PART	DESCRIPTION	PART NUMBER
1	GROOVE FILLER - HEADER	EX7852XX
2	GROOVE FILLER - LEG - LEFT	EX7852XX
3	GROOVE FILLER - LEG - RIGHT	EX7852XX
4	SILL NOSE	EX7819XX
5	END CAP - SILL NOSE - LEFT	IM8030XX
6	END CAP - SILL NOSE - RIGHT	IM8031XX
7	#8-5/8" FLAT HEAD SS SCREW	FA0442SS
8	(TRANSOM FRAME)	VARIES

# Groove Filler Continued

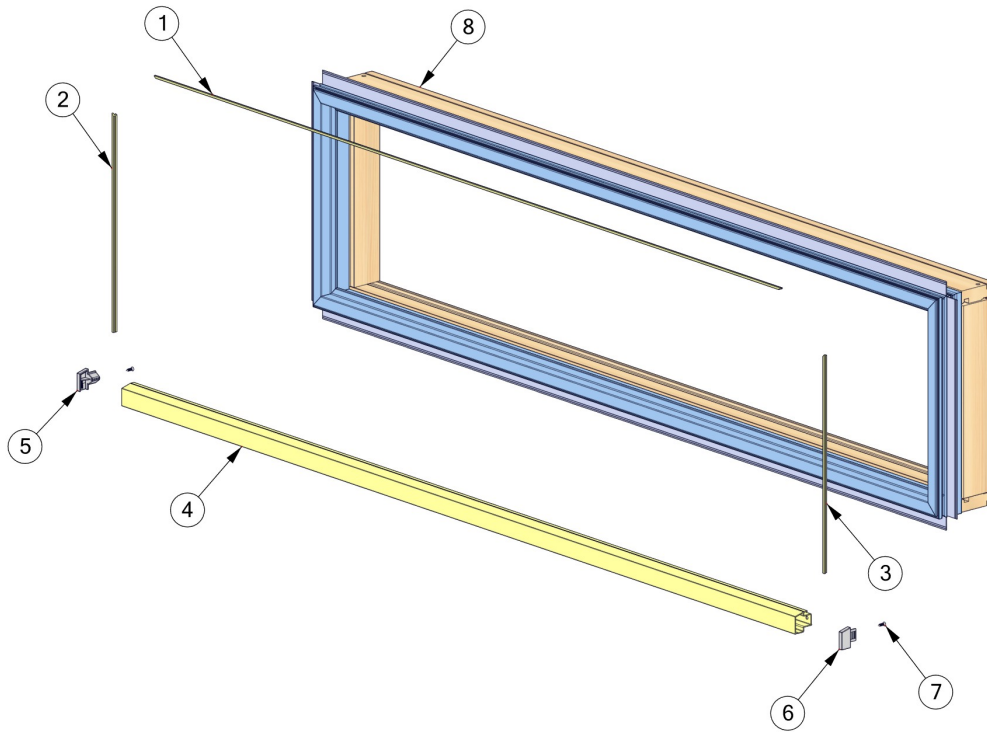
## Groove Filler with Sill Nose Horn



PART	DESCRIPTION	PART NUMBER
1	GROOVE FILLER - HEADER	EX7852XX
2	GROOVE FILLER - LEG - LEFT	EX7852XX
3	GROOVE FILLER - LEG - RIGHT	EX7852XX
4	SILL NOSE	EX7819XX
5	END CAP - SILL NOSE - LEFT	IM8030XX
6	END CAP - SILL NOSE - RIGHT	IM8031XX
7	#8-5/8" FLAT HEAD SS SCREW	FA0442SS
8	(TRANSOM FRAME)	VARIES

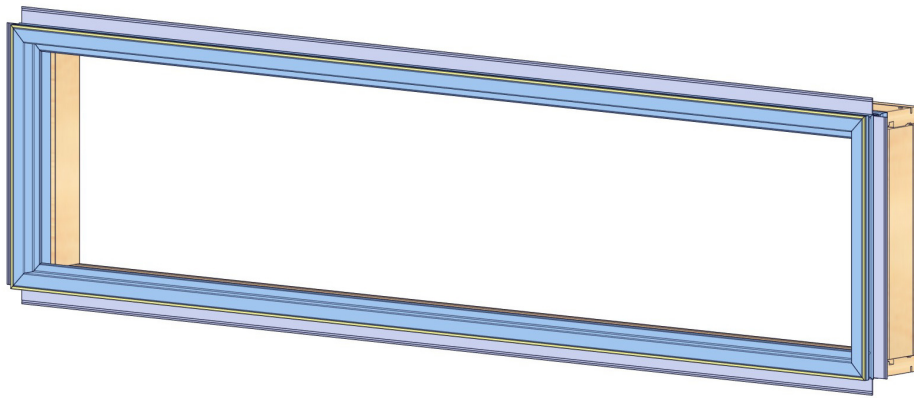
# Groove Filler Continued

## Groove Filler with Sill Nose Variable Horn

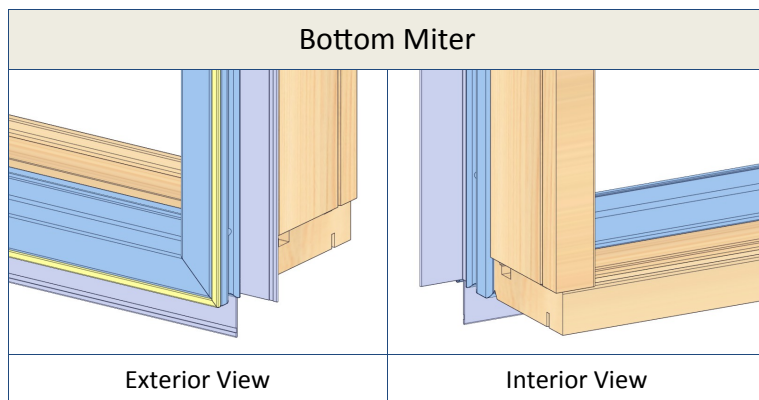
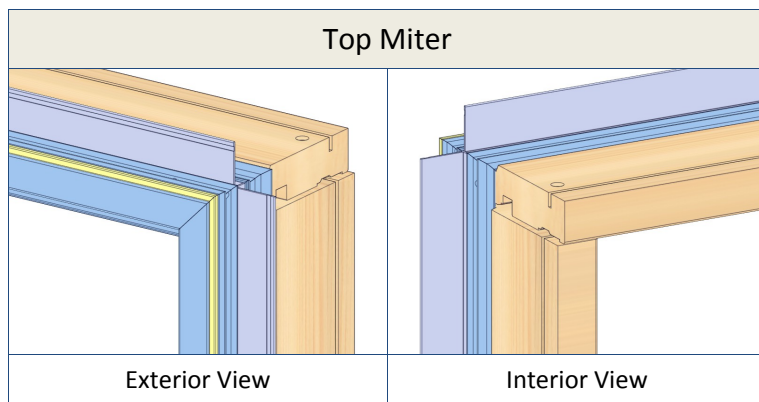


PART	DESCRIPTION	PART NUMBER
1	GROOVE FILLER - HEADER	EX7852XX
2	GROOVE FILLER - LEG - LEFT	EX7852XX
3	GROOVE FILLER - LEG - RIGHT	EX7852XX
4	SILL NOSE	EX7819XX
5	END CAP - SILL NOSE - LEFT	IM8030XX
6	END CAP - SILL NOSE - RIGHT	IM8031XX
7	#8-5/8" FLAT HEAD SS SCREW	FA0442SS
8	(TRANSOM FRAME)	VARIES

# Groove Filler Corners

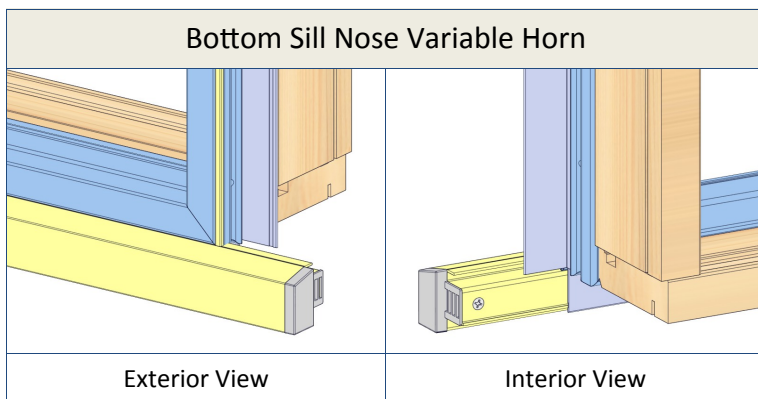
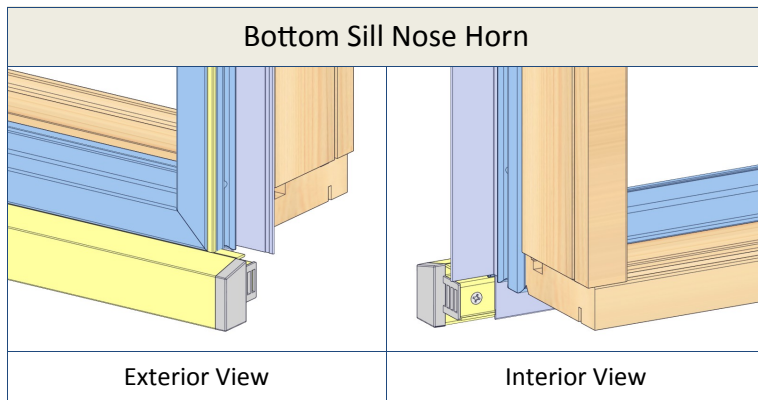
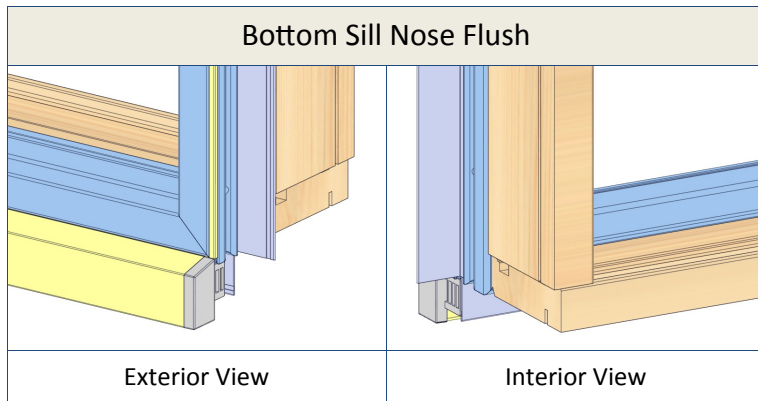


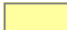

Groove Filler All Sides shown



- Groove Filler shown in yellow
- Transom Frame shown in blue

## Groove Filler Corners Continued

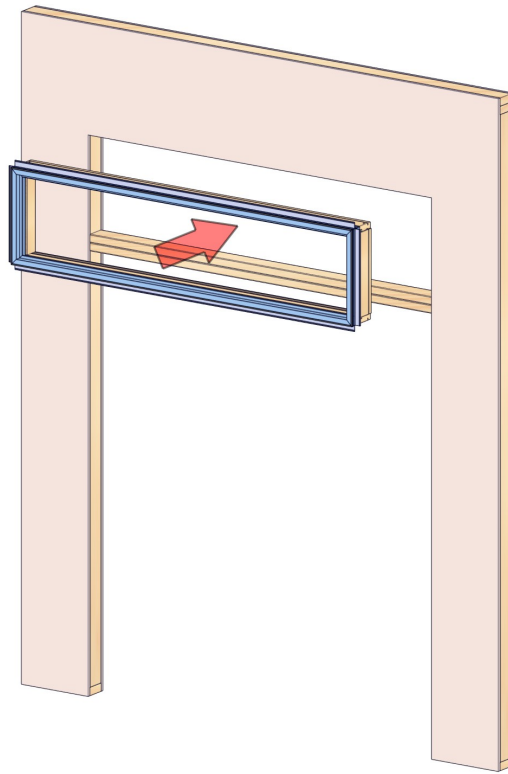


-  Groove Filler shown in yellow
-  Transom Frame shown in blue

## Transom Installation

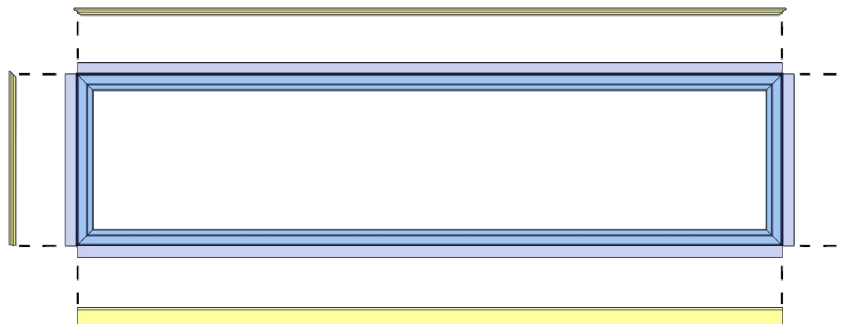
**1**

Install transom per Door Installation Instructions.



**2**

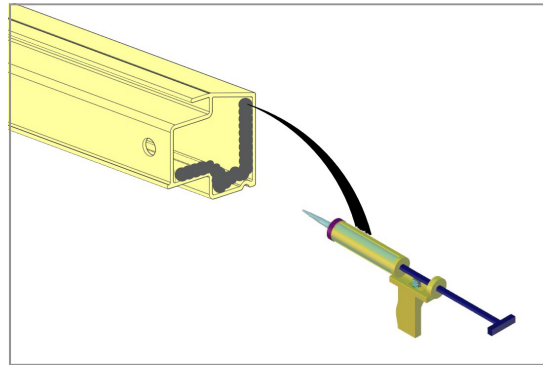
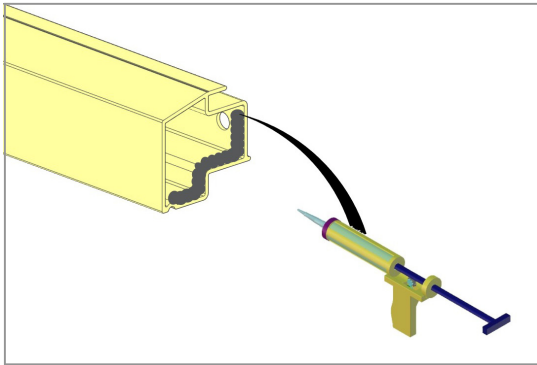
Determine Header, Leg and Sill parts.



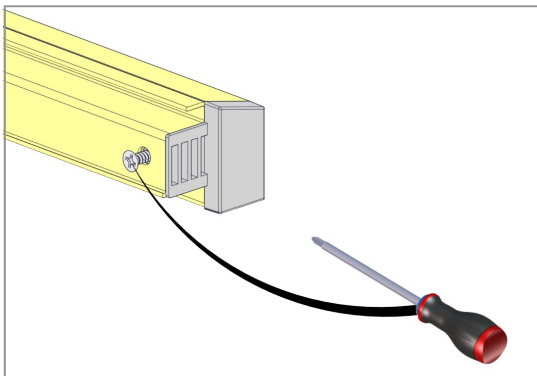
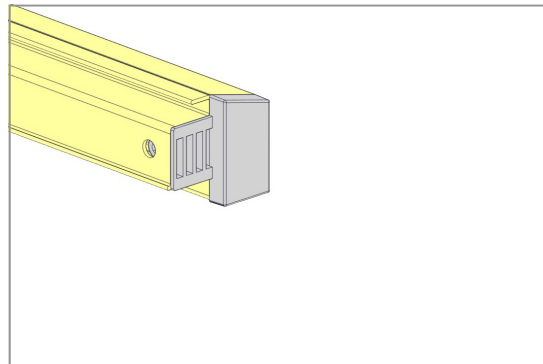
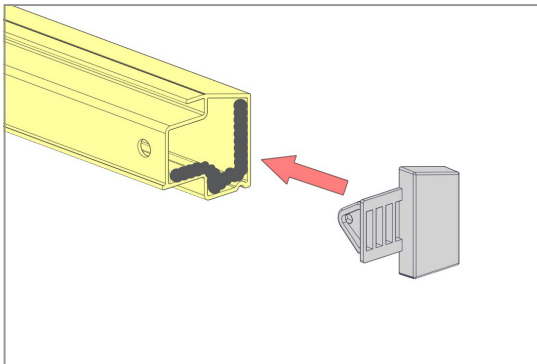
## End Cap Assembly

Skip to Step 9 if not installing a Sill Nose

**3** Apply sealant inside of Sill Nose on both ends.



**4** Seat End Caps into Sill Nose.



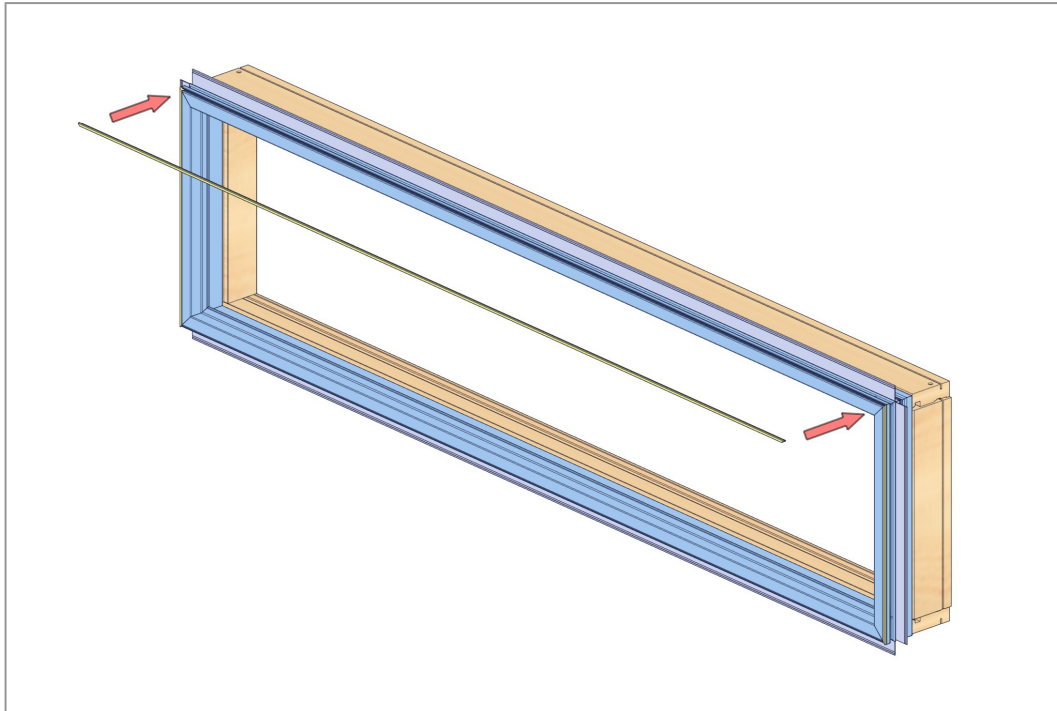
Install #8 x 5/8" Flat Head Screw through Sill into End Cap.

## Trim Installation

---

**5**

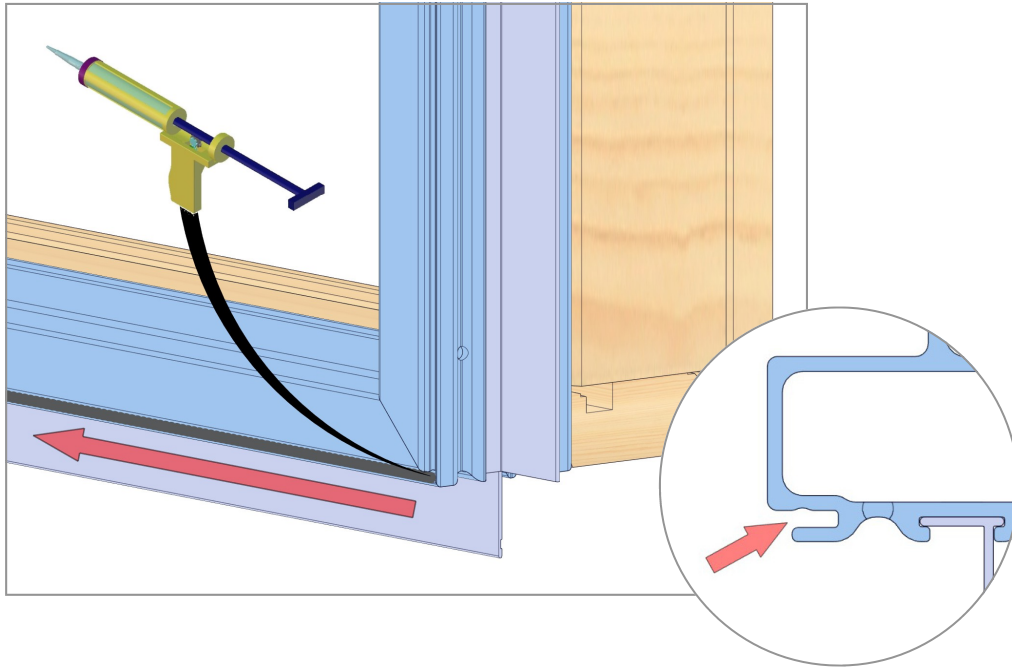
Insert Header Groove Filler into Accessory Groove. Center Groove Filler on Transom.



## Trim Installation Continued

6

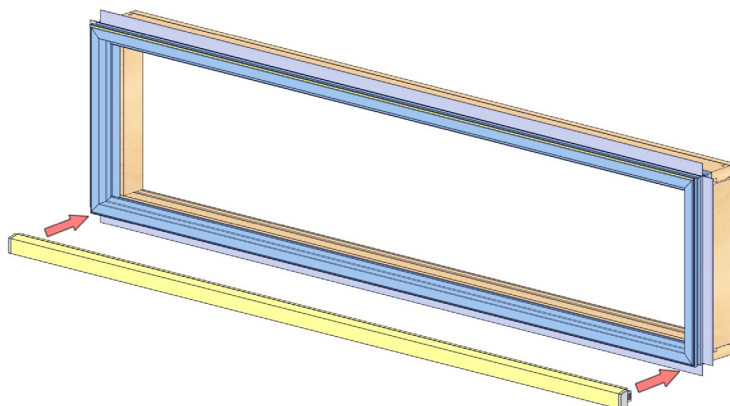
Place clear or color matched sealant into Accessory Groove along full length of sill.



## Trim Installation Continued

**7**

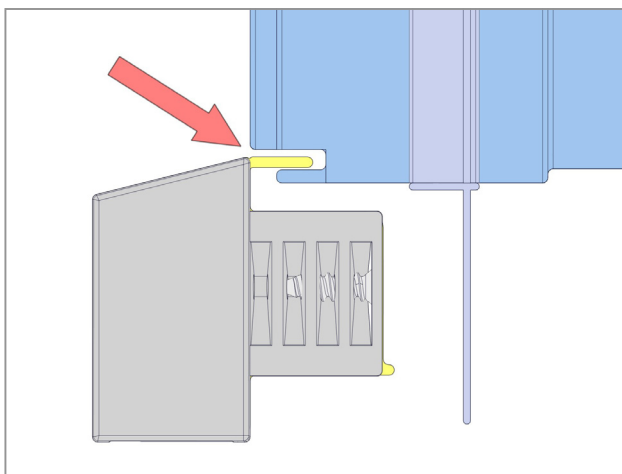
Push Sill Nose onto Transom Frame. Slide Sill Nose Lip into Transom Frame Accessory Groove.



**Note:** Make sure Sill Nose is centered on Transom Frame.

**8**

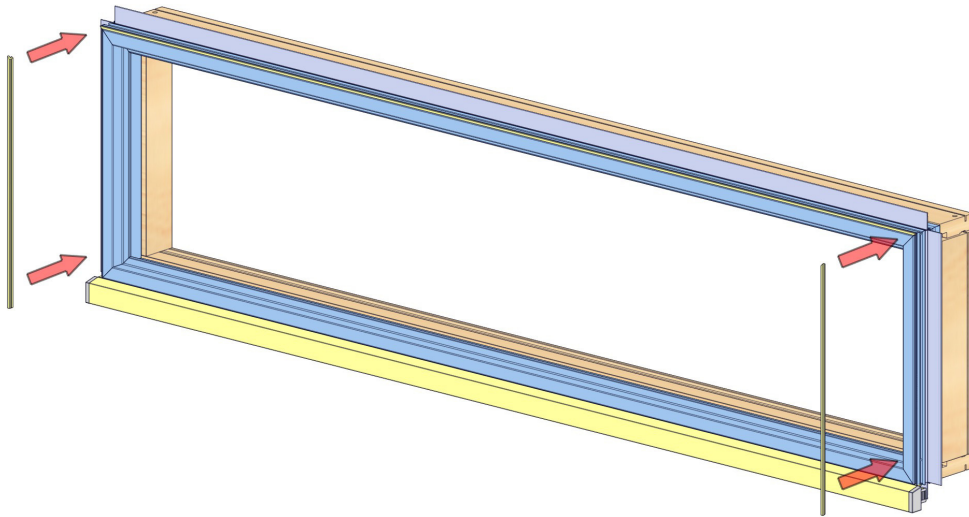
Seat Sill Nose. Groove will be flush with Transom Frame when Sill Nose is fully seated.



## Trim Installation Continued

9

Insert Leg Groove Fillers.



## Clean Up

---

- Wipe up any excess sealant.
- Clean up scuff marks with soap and water.

<b>TiteBond® WeatherMaster Sealant Compatible Colors</b>		
<b>Milgard Palette Color</b>	<b>Titebond® WeatherMaster™ Color Reference</b>	<b>Milgard Part Number</b>
Bark	44061	SE7673AR
Black Bean	44031	SE7673BL
Bronze	45841	SE7673ZB
Cinnamon	45521	SE7673CI
Classic Brown	44211	SE7673LW
Espresso	45661	SE7673EX
Evening Sky	45531	SE7673ES
Fern	45651	SE7673FN
Fog	46681	SE7673FO
Frost	44001	SE7673FS
Harmony	44641	SE7673HR
Ivory	45511	SE7673IV
Pea Pod	49211	SE7673PP
Sand	46041	SE7673SD
Tweed	44691	SE7673TE
Twilight	44031	SE7673BL

REVISIONS					
REV	ECN	DESCRIPTION	DATE	DRAWN	APPD.
A	3848ECNEG	RELEASE	05/22/2015	NDS	VM