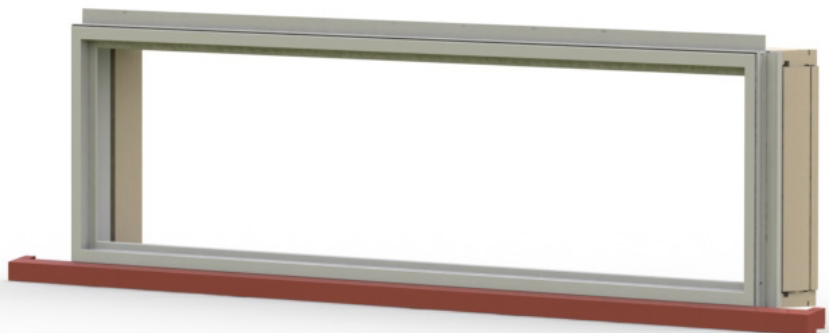
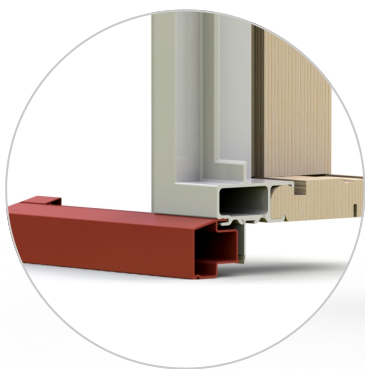




Clearly the best.®

Six Inch Sill Horn for Transom

Installation Instructions



Six Inch Sill Horn Instructions

For Milgard Essence Series® Windows and Doors

- Install Transom per AAMA 2400-10 installation standard.
- Read instructions from beginning to end before assembling or installing Sill Nose.
- Sill Nose is not compatible with other Milgard Transom offerings.
- Do not use Sill Nose on other manufacturers' products.
- Transom must be properly installed and flashed prior to Sill Nose installation.
- Milgard Sill Nose does not provide structural support or function as a water barrier.
- Use exterior grade high quality sealants. For compatible TiteBond® Sealant colors refer to page 10.

Required Tools

Caulking Gun

Sheet Metal Snips

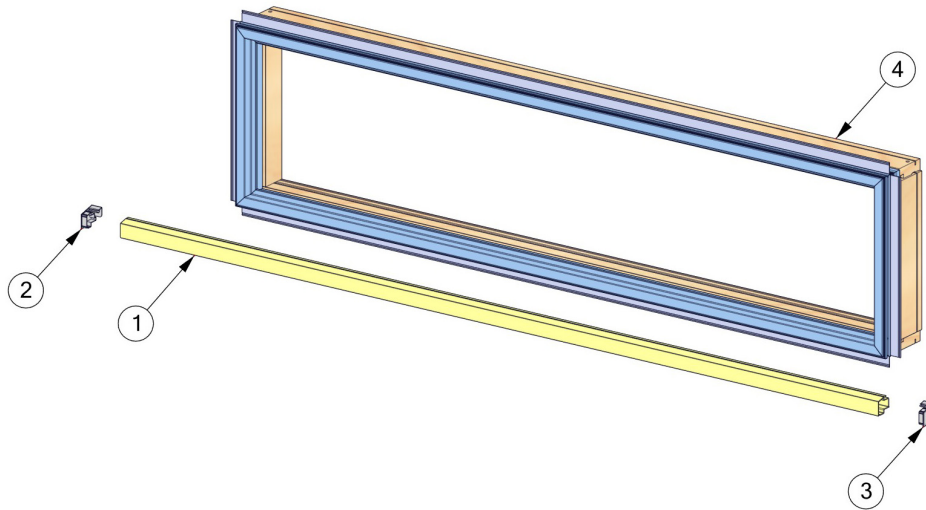
Metal Saw

Pliers

Tape Measure

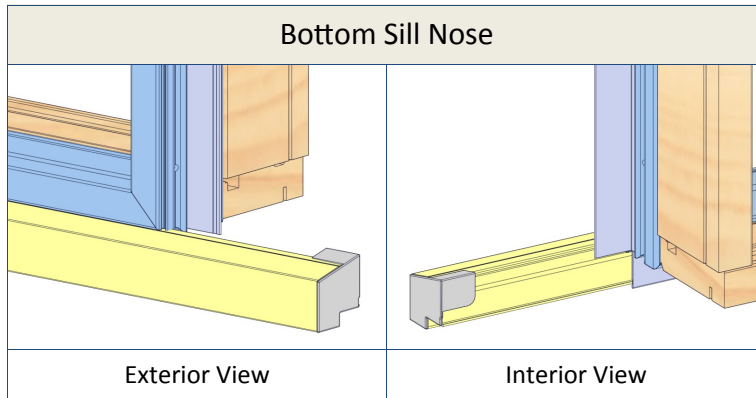
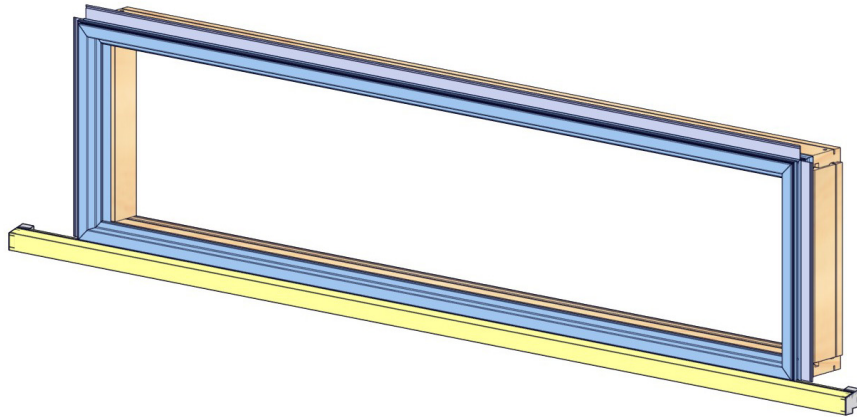
Six Inch Sill Horn Parts

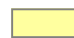

Six Inch Sill Horn for Transom



| PART | DESCRIPTION | PART NUMBER |
|------|-----------------------------|-------------|
| 1 | SILL NOSE | EX7819XX |
| 2 | END CAP - SILL NOSE - LEFT | EX7877XX |
| 3 | END CAP - SILL NOSE - RIGHT | EX7876XX |
| 4 | TRANSOM FRAME | (VARIES) |

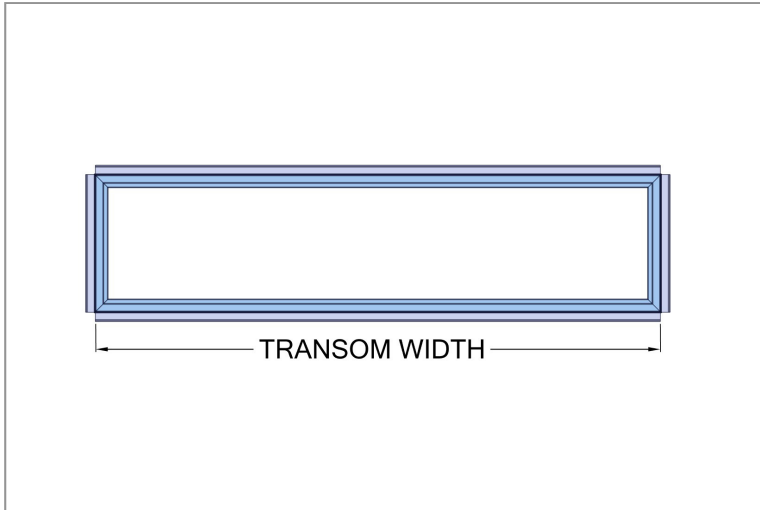
Six Inch Sill Horn Corners



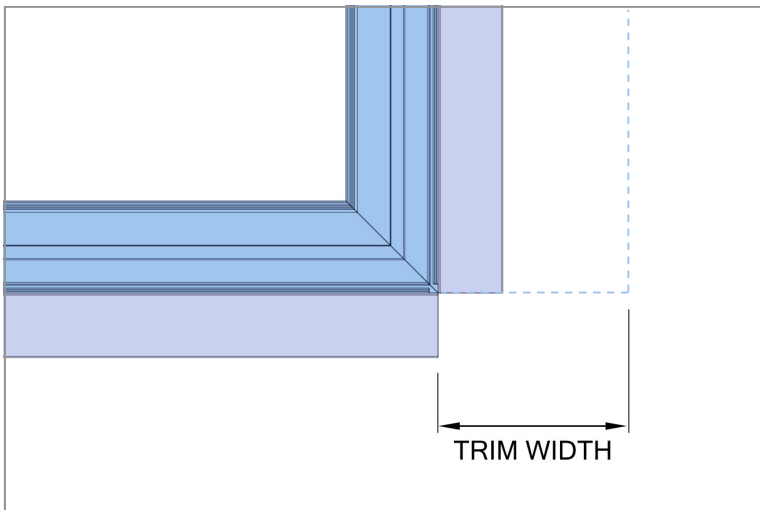
-  Sill Nose shown in yellow
-  Transom Frame shown in blue

Determine Length of Sill Nose

1 Measure Width of Transom Unit.



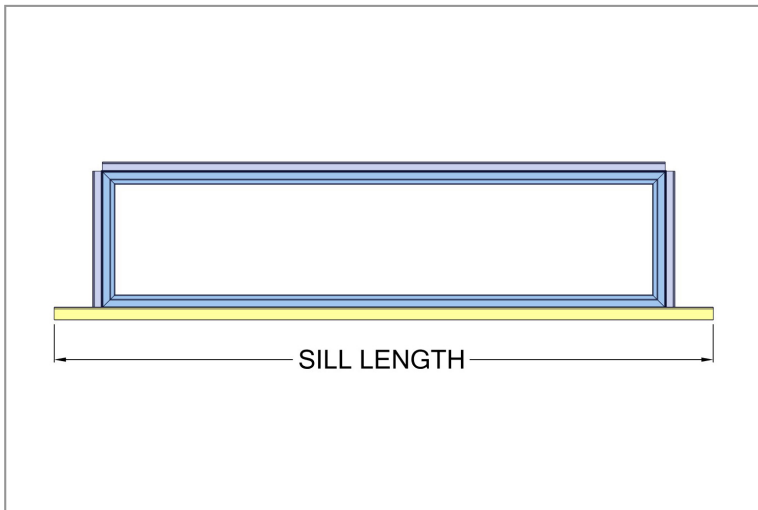
2 Determine how much Installer provided trim will extend from edge of Transom Frame.



Determine Length of Sill Nose (Continued)

3

Add twice the Trim Width to Transom Width to determine length of Sill. Also, add any additional length wanted for the Sill to extend beyond the Trim.



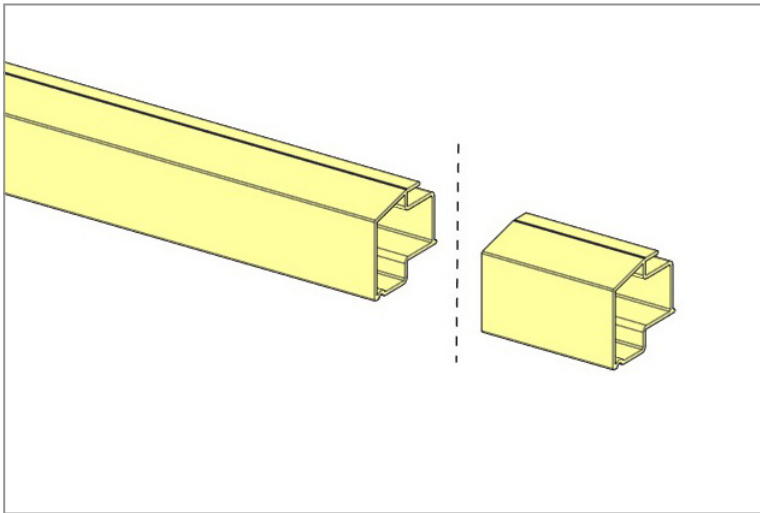
Note: The Sill End Caps will each add 1/16" to length of Sill, for a total of 1/8".

Cut Sill Nose

CAUTION! Use safe practices and a blade suitable for cutting Aluminum

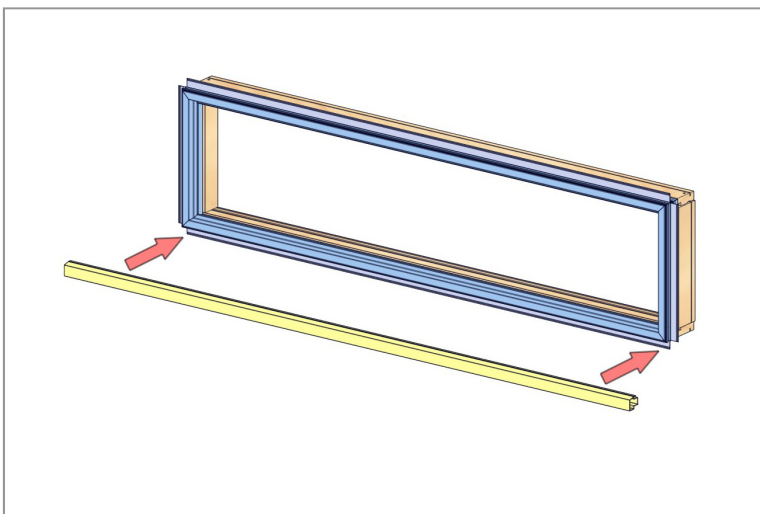
4

Cut Sill to length.



5

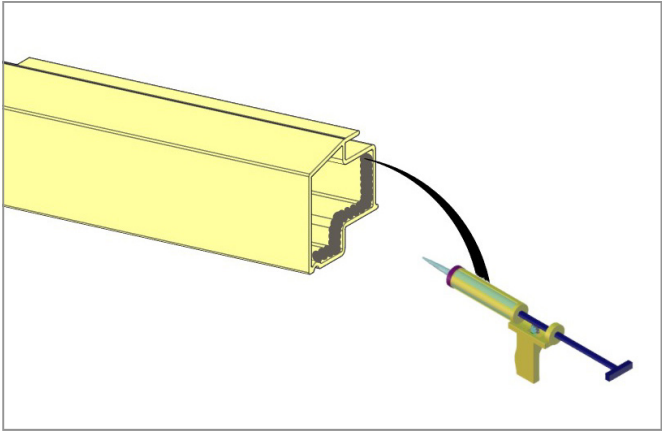
Trial fit Sill Nose into Transom Sill Accessory Groove. Sill Nose fits into Transom Frame up to Sill Groove.



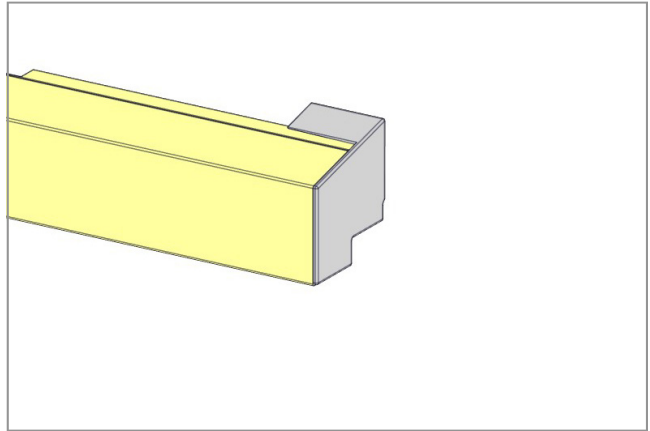
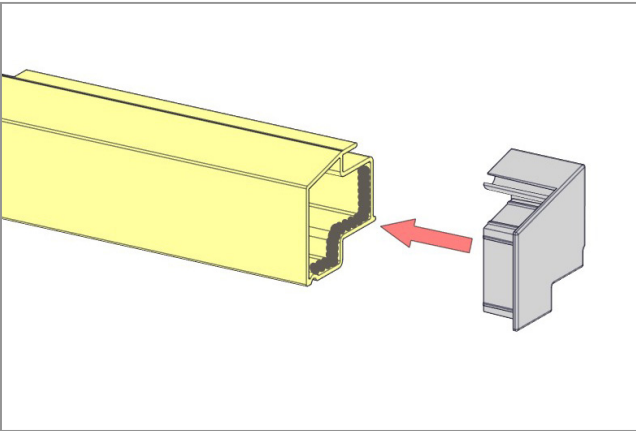
Note: Sill Nose may interfere with Frame or Installed Trim, adjust appropriately.

End Cap Assembly

6 Apply sealant inside of Sill Nose on both ends.



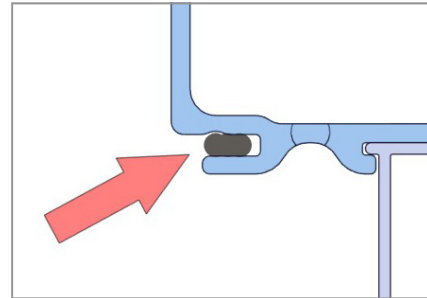
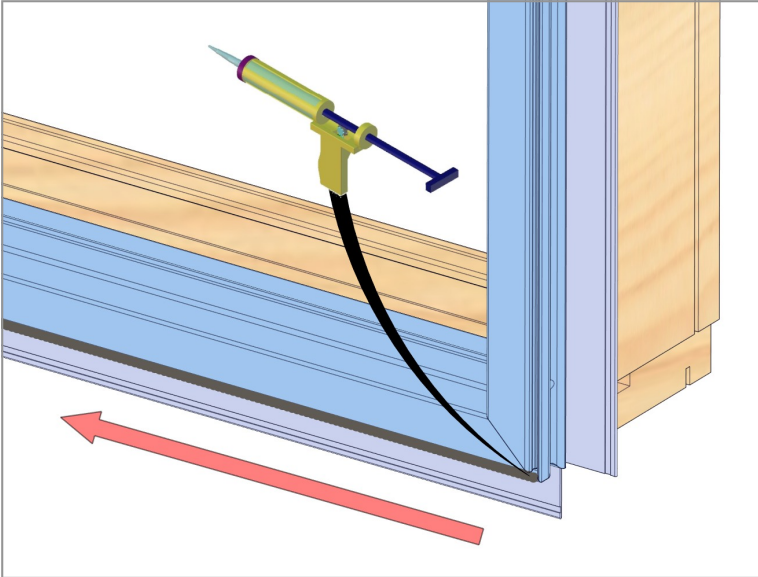
7 Seat End Caps into Sill Nose.



Sill Nose Installation

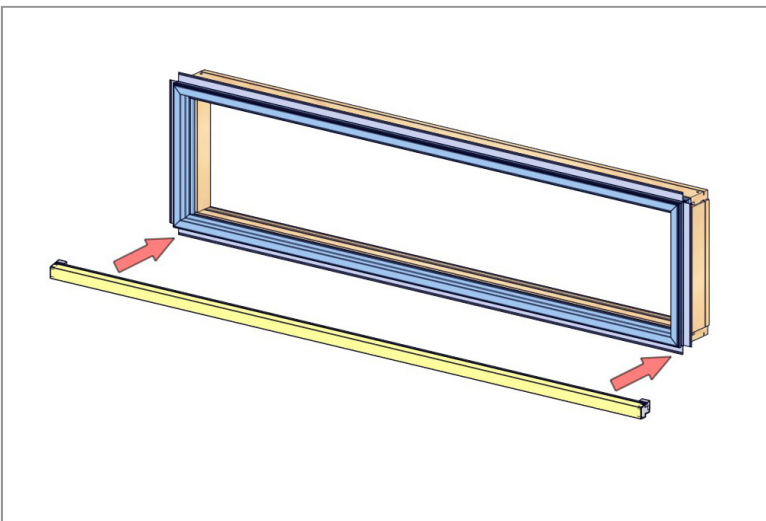
8

Place clear or color matched sealant into Accessory Groove along full length of Sill.



9

Push Sill Nose into Transom Frame.



Note for Installer: Angle on top of Sill Nose is 14 Degrees.

Clean Up

- Wipe up any excess sealant.
- Clean up scuff marks with soap and water.

| TiteBond® WeatherMaster Sealant Compatible Colors | | |
|--|---|----------------------------|
| Milgard Palette Color | Titebond® WeatherMaster™ Color Reference | Milgard Part Number |
| Bark | 44061 | SE7673AR |
| Black Bean | 44031 | SE7673BL |
| Bronze | 45841 | SE7673ZB |
| Cinnamon | 45521 | SE7673CI |
| Classic Brown | 44211 | SE7673LW |
| Espresso | 45661 | SE7673EX |
| Evening Sky | 45531 | SE7673ES |
| Fern | 45651 | SE7673FN |
| Fog | 46681 | SE7673FO |
| Frost | 44001 | SE7673FS |
| Harmony | 44641 | SE7673HR |
| Ivory | 45511 | SE7673IV |
| Pea Pod | 49211 | SE7673PP |
| Sand | 46041 | SE7673SD |
| Tweed | 44691 | SE7673TE |
| Twilight | 44031 | SE7673BL |

| REVISIONS | | | | | |
|-----------|-----------|-------------|------------|-------|-------|
| REV | ECN | DESCRIPTION | DATE | DRAWN | APPD. |
| A | 3848ECNEG | RELEASE | 05/22/2015 | NDS | VM |
| | | | | | |
| | | | | | |