



*Clearly the best.™*

---

# Brickmould Nail Fin Door Installation

Nail Fin Brickmould



# Nail Fin Brickmould Instructions

---

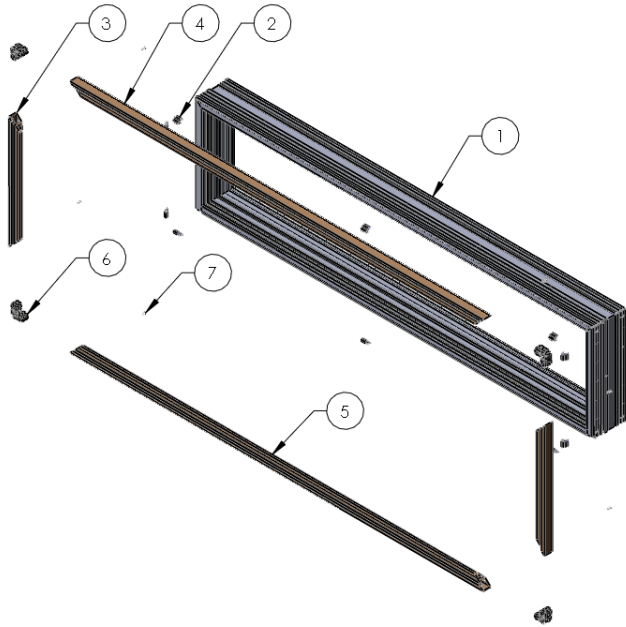


For Milgard Essence® Windows and Doors

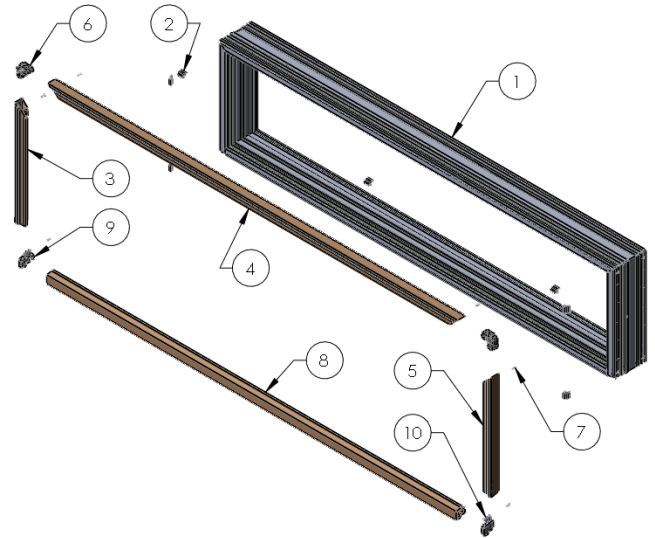
- Install Door per AAMA 2400-10 Installation standard.
- Read Instructions from beginning to end before assembling or installing Brickmould.
- Brickmould is not compatible with other Milgard Window or Door offerings.
- Do not use Brickmould on other manufacturers' products.
- Door must be properly installed and flashed prior to Brickmould installation.
- Milgard Nail Fin Brickmould does not provide structural support or function as a water barrier.

# Nail Fin Brickmould Parts

Brickmould All Sides  
on separate Transom



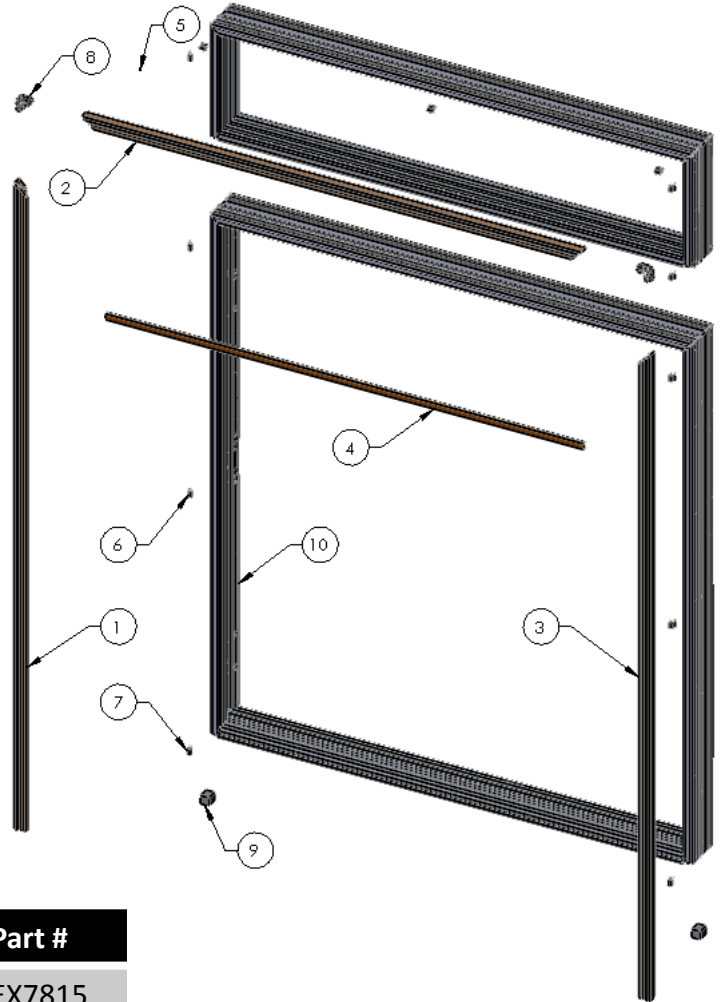
Brickmould with Sill Nose  
on separate Transom



Part	Description	Part #	Part	Description	Part #
1	(Transom Frame)	Varies	1	(Transom Frame)	Varies
2	Trim Clip - Door	HA7821	2	Trim Clip - Door	HA7821
3	Brickmould –Leg	EX7815	3	Brickmould – Left Leg	EX7815
4	Brickmould –Header	EX7815	4	Brickmould – Header	EX7815
5	Brickmould –Sill	EX7815	5	Brickmould – Right Leg	EX7815
6	Corner Key	IM7965	6	Corner Key	IM7965
7	#8 – 5/8" Flat Head SS Screw	FA0442	7	#8 – 5/8" Flat Head SS Screw	FA0442
			8	Sill Nose	EX7819
			9	End Cap – LH Sill Nose	IM7975
			10	End Cap – RH Sill Nose	IM7974

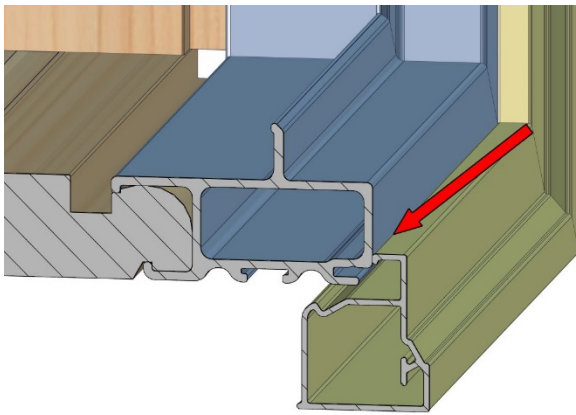
# Nail Fin Brickmould Parts

## Brickmould on Door or Door with Transom Combination

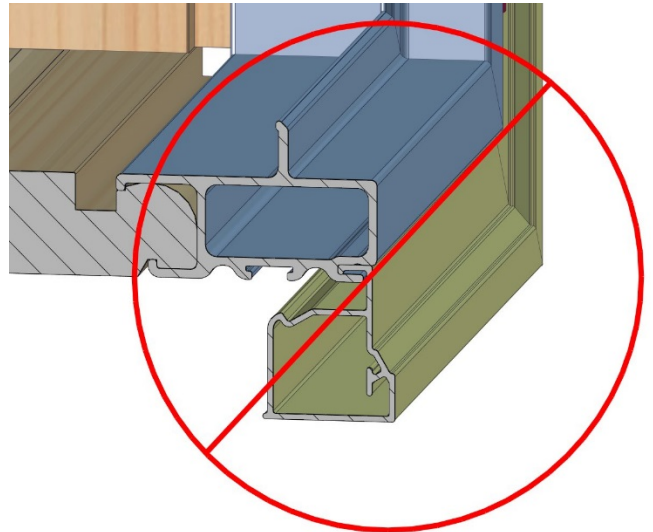


Part	Description	Part #
1	Brickmould – Left Leg	EX7815
2	Brickmould – Header	EX7815
3	Brickmould – Right Leg	EX7815
4	Mull Cover	EX7825
5	#8 – 5/8" Flat Head SS Screw	FA0442
6	Trim Clip - Door	HA7821
7	Door H-Clip	HA7823
8	Corner Key	IM7965
9	End Plug	MI7514
10	(Door Frame)	Varies

# Notes For Proper Installation



Brickmould lip rests on the face of the frame.



Brickmould lip does not rest inside the accessory groove.

If siding will not be applied around Brickmould, use HA8300CPML. HA8300CPML provides a more permanent connection. Trim is difficult to remove if using HA8300CPML.

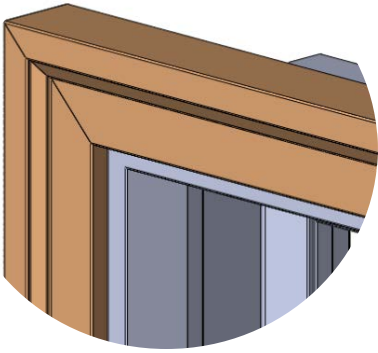


HA8300CPML

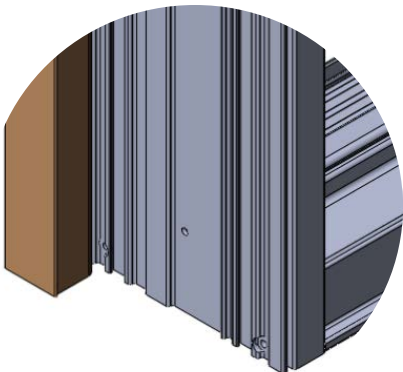
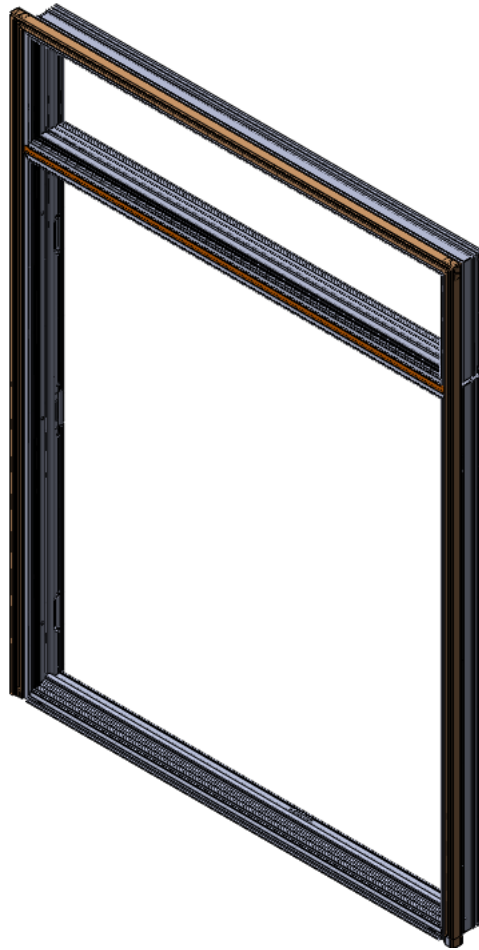
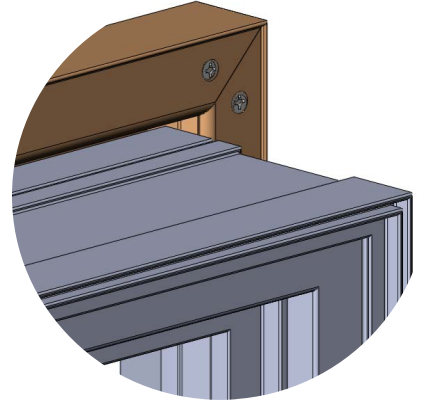
# Nail Fin Brickmould Corners

---

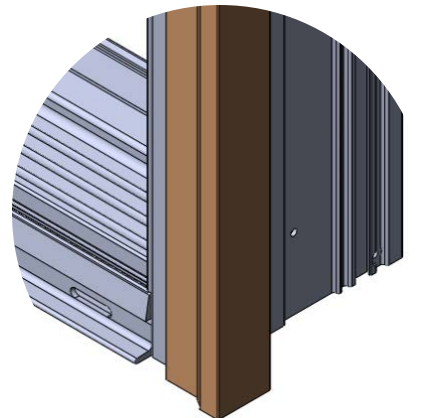
## Door with Transom Combination



Top Miter  
Front / Back



Bottom Flush  
Back / Front

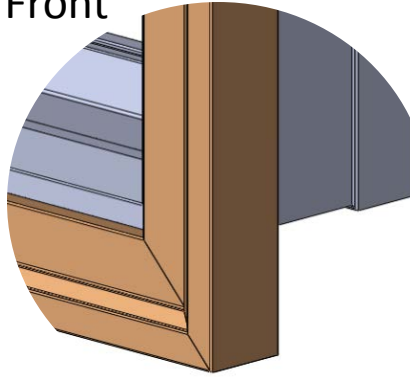
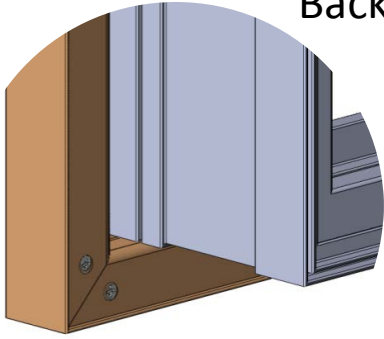


# Nail Fin Brickmould Corners

## (Separate Transom)

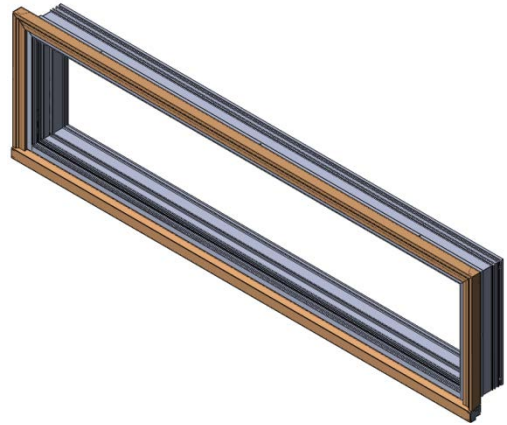
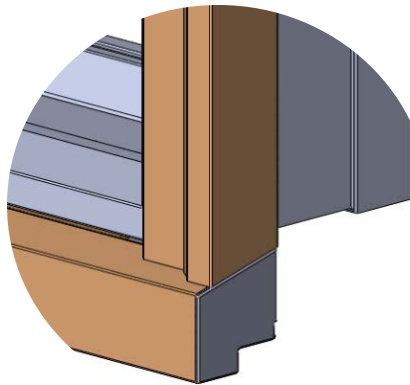
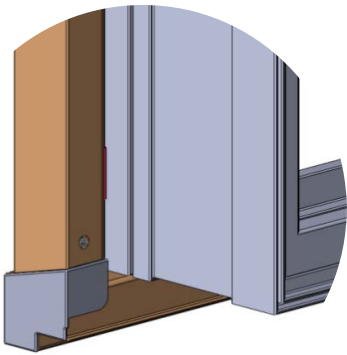
Bottom Miter

Back / Front



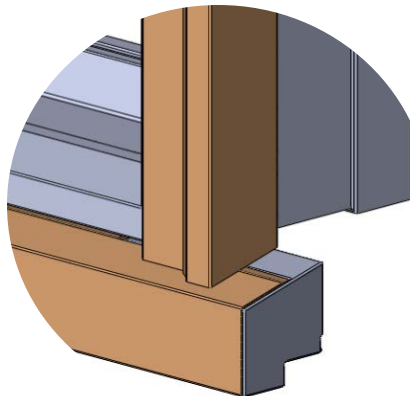
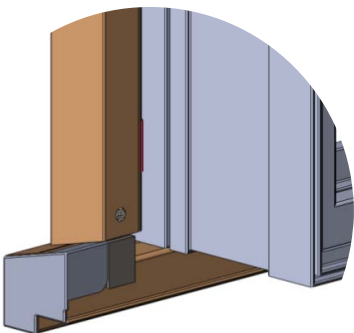
Bottom Flush

Back / Front



Bottom Horn

Back / Front

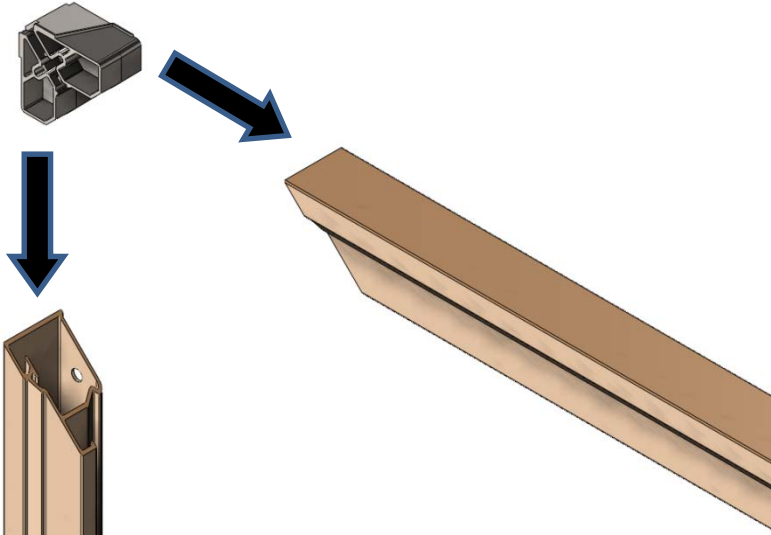


# Corner Key Assembly

Skip to Step 8 if Installing Factory Assembled Brickmould.

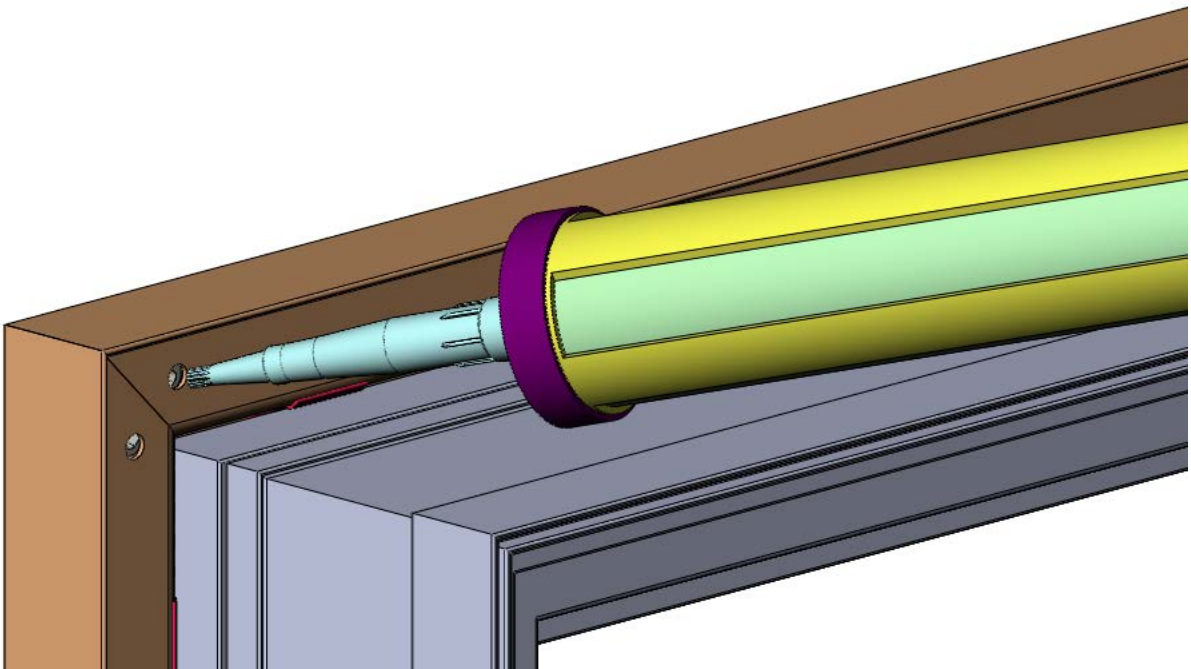
1

Determine Header, Sill, and Leg Trim Pieces.  
Insert Corner Keys into Brickmould miter ends.



2

Inject Caulk into Corner Keys. (Half a squeeze into one hole per Corner, is all that is needed.)



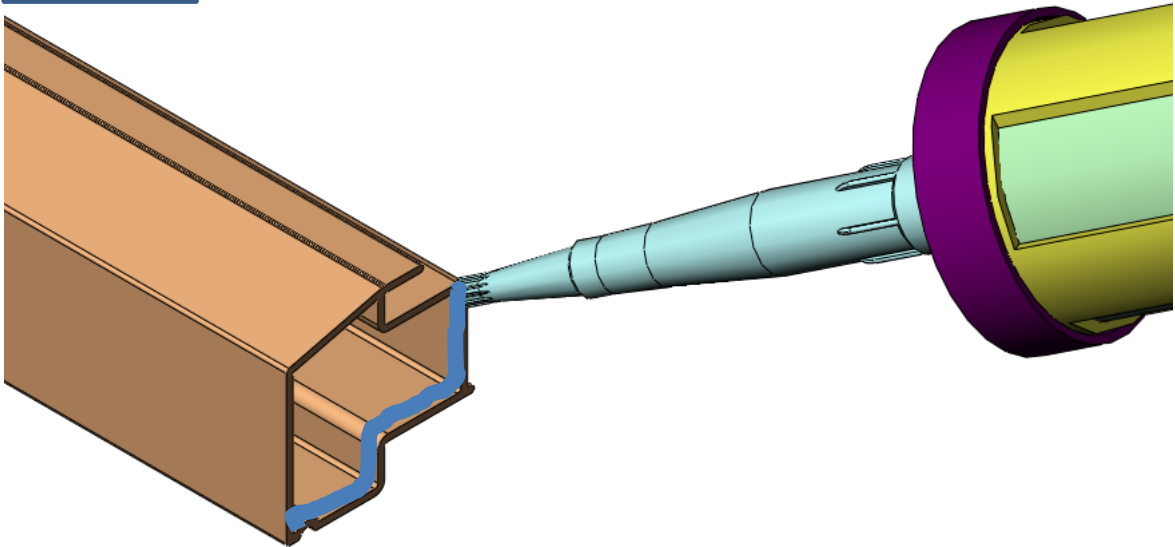
# End Cap Assembly

Skip to Step 7 for Brickmould on all Sides.

Skip to Step 7 if installing a Door or a Door with Transom Combo.

3

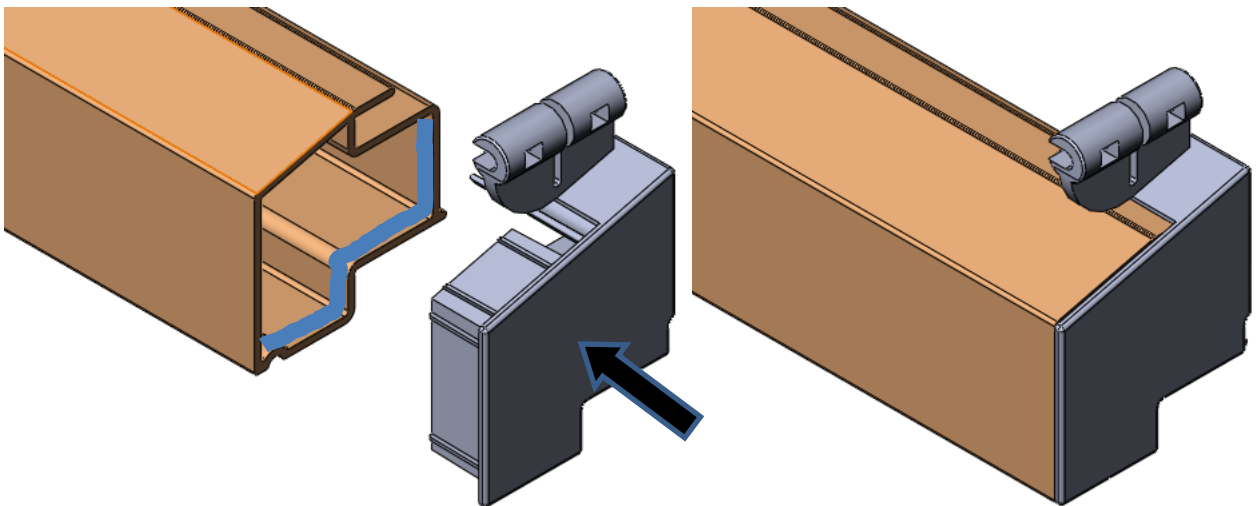
Caulk inside of Sill Nose on Both Ends.



4

Seat End Caps into Sill Nose.

Before / After

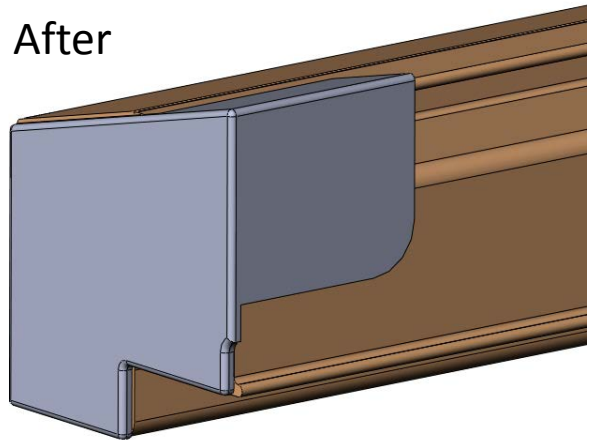
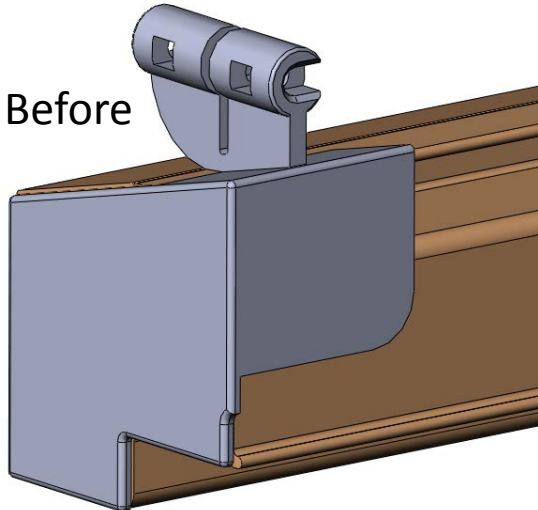


# Sill Nose Horn Modification

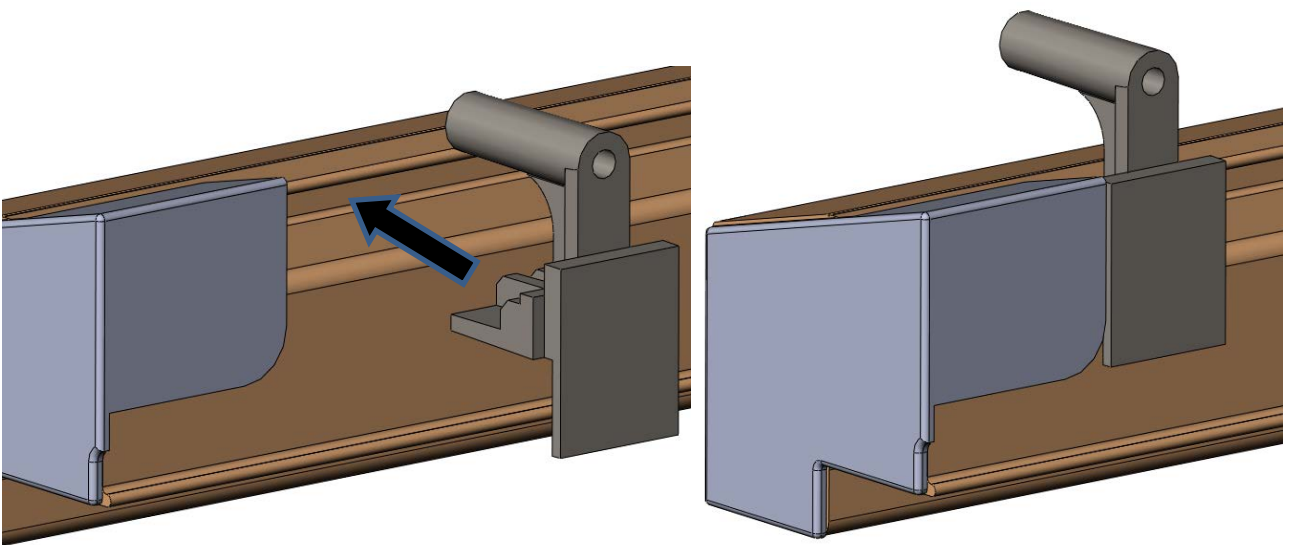
Skip to Step 7 for Sill without Horns

- 5** Remove Screw Boss from End Cap.  
Score both Sides and Snap.

**CAUTION!:** Only do this step for Sill Nose Horns.



- 6** Insert Secondary Sill Keys both ends.

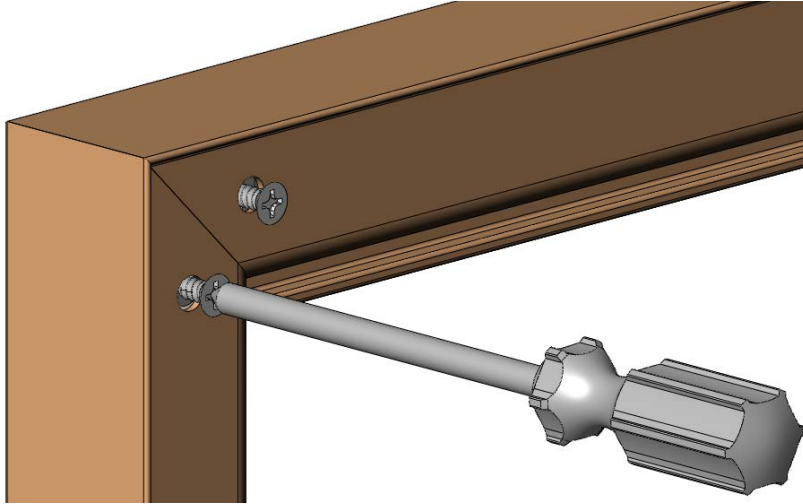


Place Secondary Sill Key against edge of End Cap.

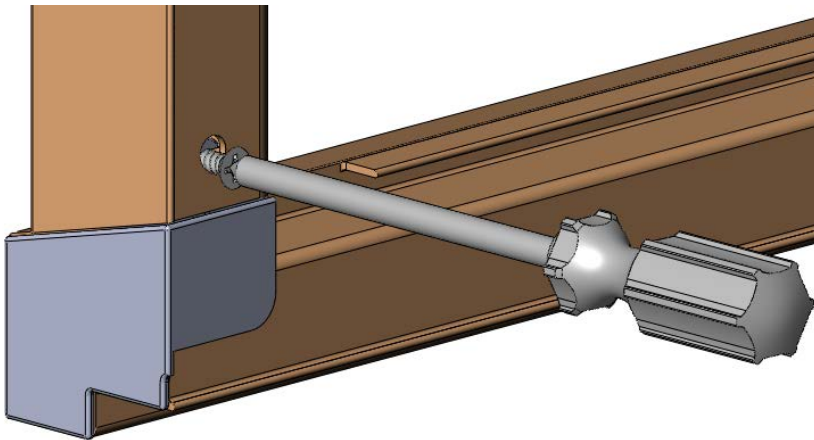
# Install Screws

7

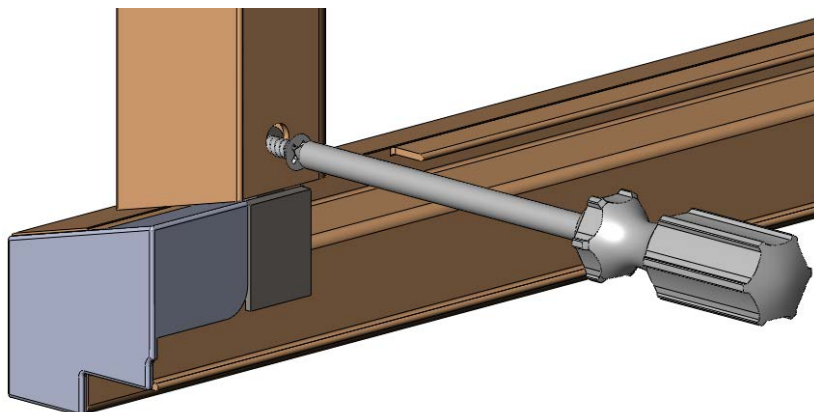
Install #8 x 5/8" Flat Head Screws.



Miter Corners: Start screw into one hole. Start other screw into second hole and tighten until head is flush with Brickmould. Finish tightening first Screw.



Sill Nose: Tighten screw until flush with Brickmould.

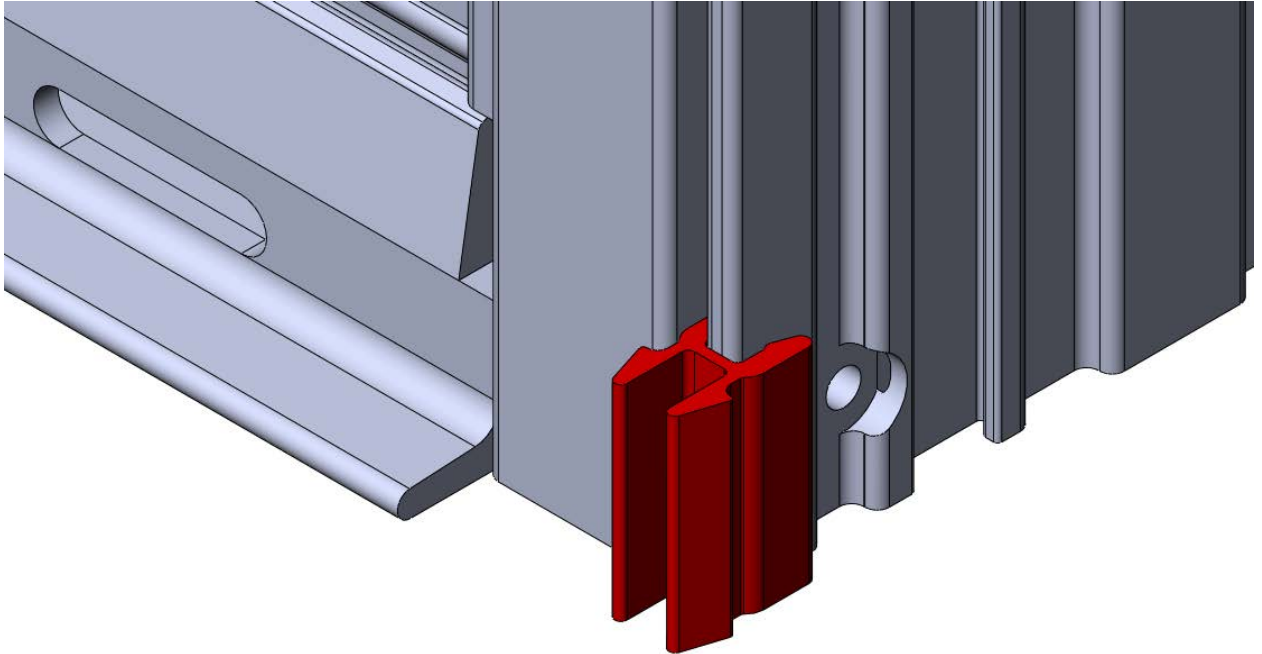


Sill Nose Horn: Make sure Secondary Sill Key is against End Cap. Tighten screw until flush with Brickmould.

# Trim Clip Attachment

8

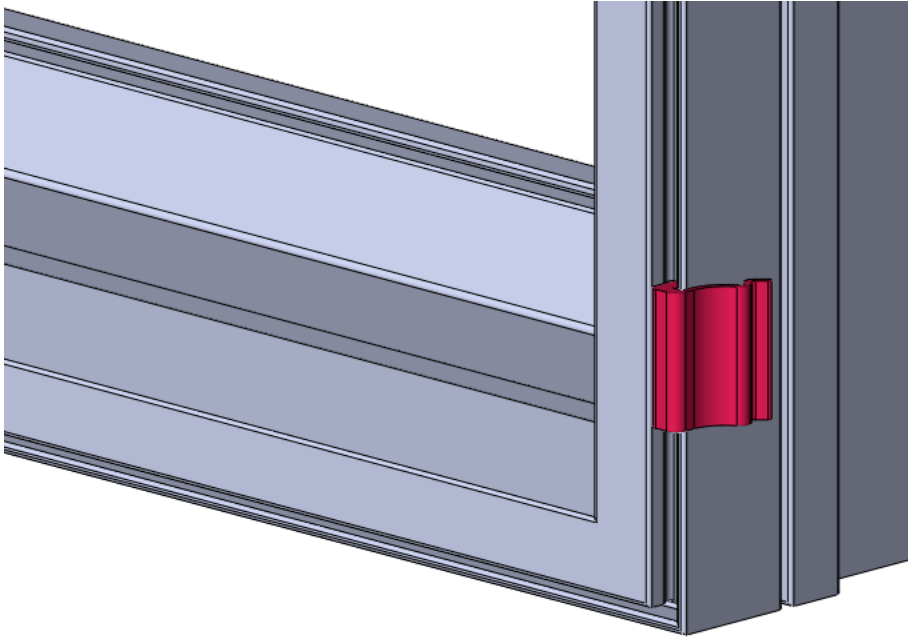
Install “H” shaped clips flush with the bottom of each Door Jamb.



# Trim Clip Attachment Cont.

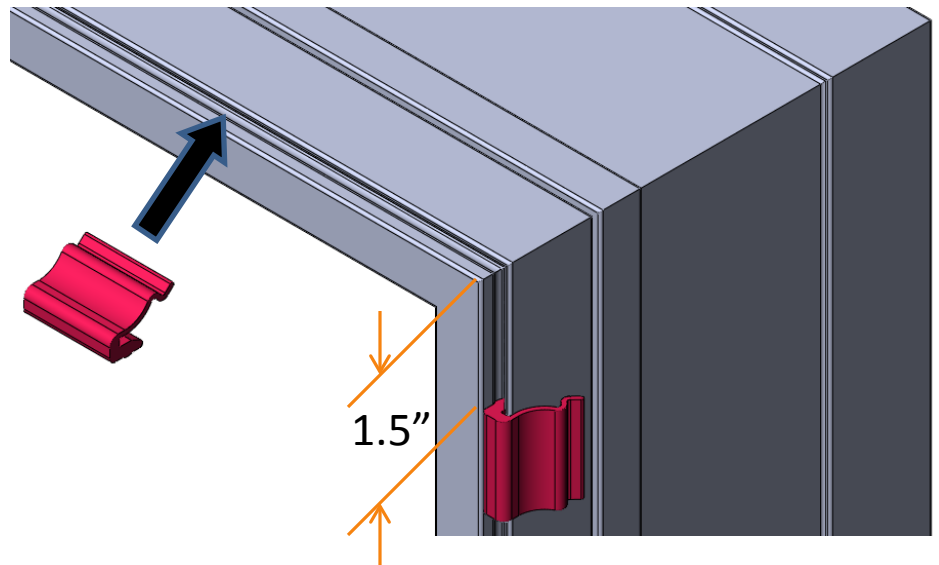
9

Install Trim Clips onto Door Frame Corners.



Note: If installing Brickmould with Sill Nose, do not place Trim Clips on Transom Sill.

Space Trim Clip 1.5" away from Corner. Tap two Trim Clips into each corner.

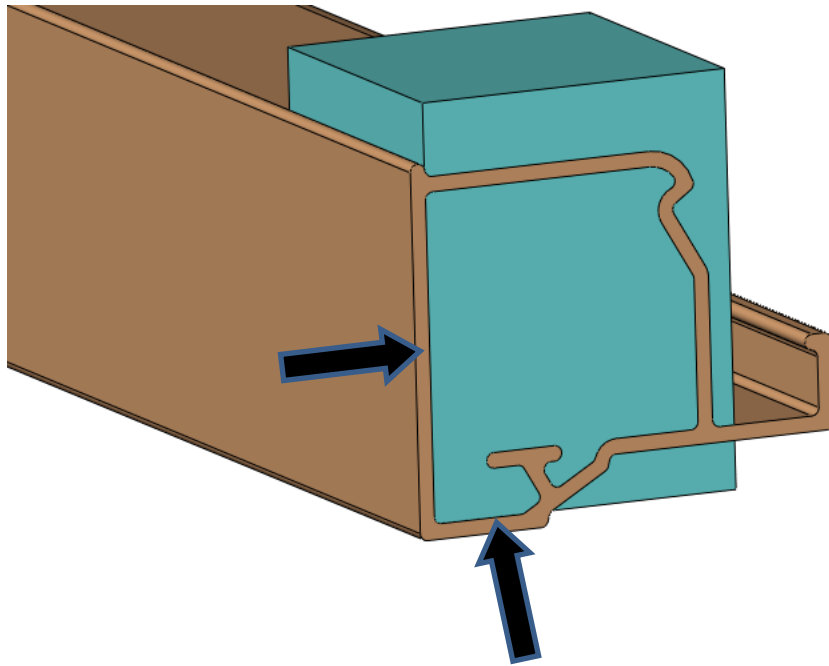


Note: Install additional trim clip midway between two corner clips. For doors larger than 6068, install additional clips a maximum of 4' on center.

# End Plug Installation

10

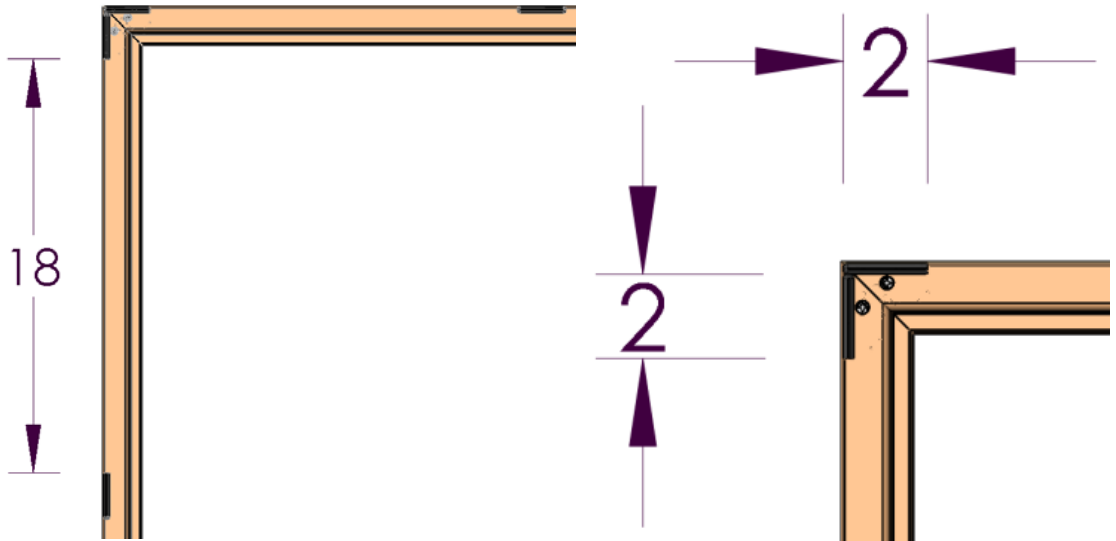
Squeeze foam End Plugs into open ends of Brickmould and Push foam in until it is flush with end of Brickmould.



# Trim Installation

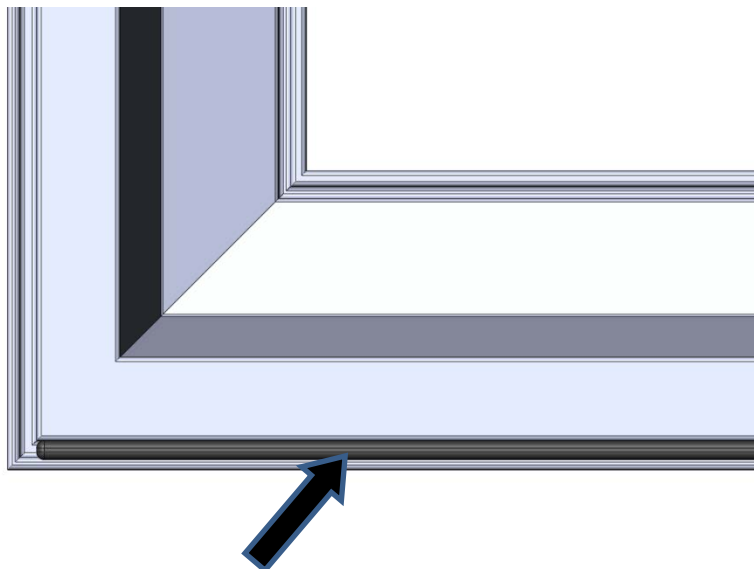
11

Apply 1/4" diameter 2" long beads of sealant to back of Brickmould. Space Beads 18" apart.



12

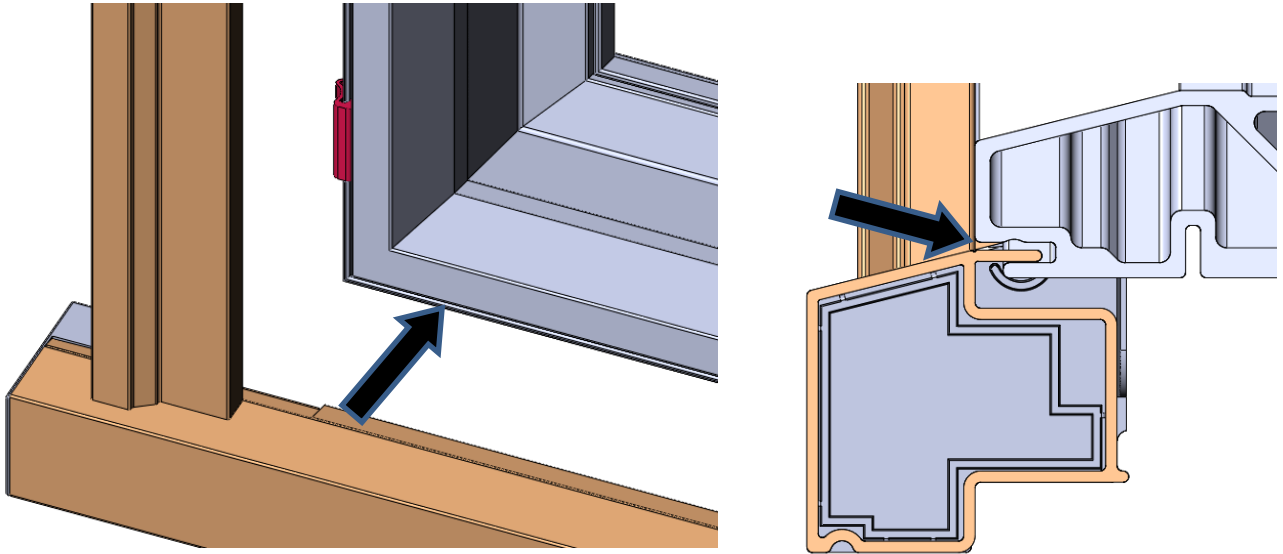
Place clear or color matched sealant into accessory groove along full length of Transom Sill.



# Trim Installation Continued

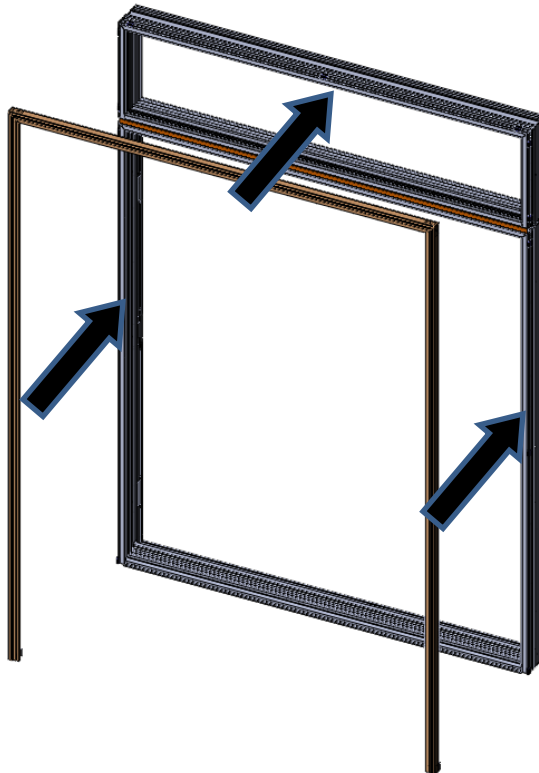
13

Push Brickmould onto Door Frame.



When installing Brickmould (with Sill Nose) slide Sill Nose Lip into Transom Frame Accessory Groove.

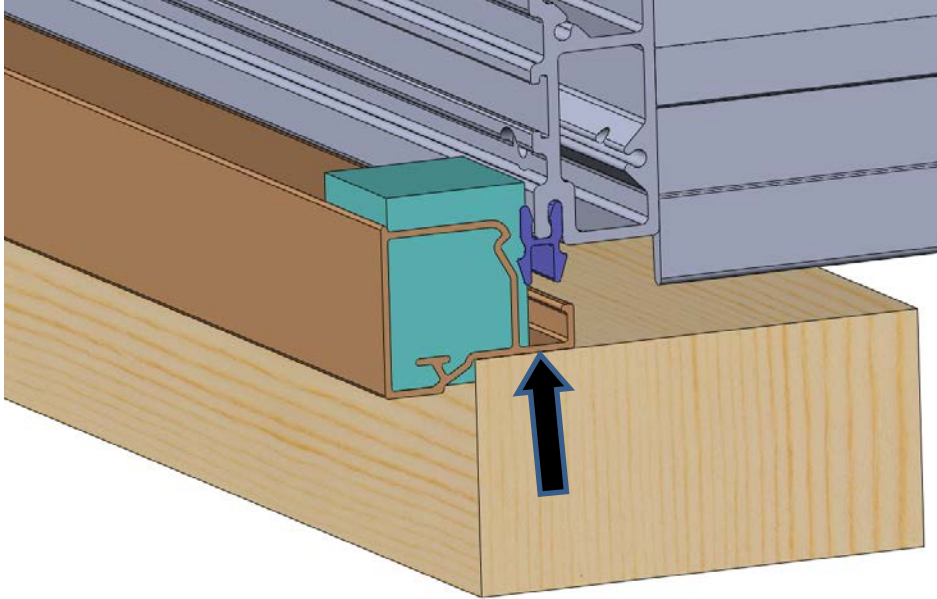
Push Brickmould (without Sill Nose) onto Door Frame until it seats fully.



# Trim Installation Continued

14

End of Brickmould does not easily snap onto "H" clip, so to avoid damaging Brickmould, place a wood block directly over face end of Brickmould and tap Brickmould onto "H" clip.



# Clean Up



- Wipe up any excess caulk.
- Clean up scuff marks with soap and water.
- TiteBond® WeatherMaster Sealant compatible colors.

Essence Accessories Sealant			
Milgard Color	Milgard	TiteBond P/N	TiteBond Color
Bark	SE7673AR	44061	Bronze
Black Bean	SE7673BL	44031	Black
Cinnamon	SE7673CI	45521	Red
Classic Brown	SE7673LW	44211	Brown
Clear	SE7673CL	43991	Clear
Evening Sky	SE7673ES	45531	Blue
Fern	SE7673FN	45651	Green
Fog	SE7673FO	46681	Gray
Frost	SE7673FS	44001	White
Harmony	SE7673HR	44641	Clay
Natural Crème	SE7673NT	45511	Poplar White
Pea Pod	SE7673PP	49211	Green
Pebble	SE7673PE	46811	Gray
Rattan	SE7673RA	46081	Beige
Tweed	SE7673TE	44691	Clay
Twilight	SE7673BL	44031	Black

---

REVISIONS					
REV	ECN	DESCRIPTION	DATE	DRAWN	APPD.
A1	2969ECNEG	Release	05/31/2013	CN	VM
B	3973ECNTA	Added Page 5	06/08/2016	BBB	VM