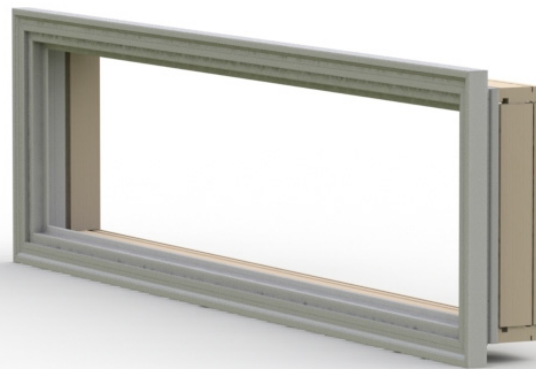
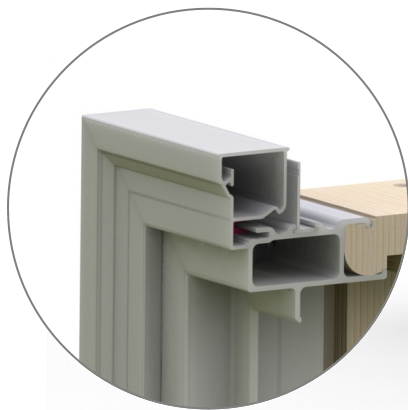




*Clearly the best.®*

# Brickmould for a Nail Fin Transom

## Installation Instructions



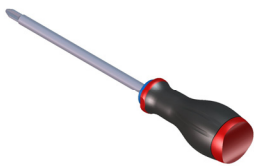
## Nail Fin Brickmould Instructions

### For Milgard Essence Series® Windows and Doors

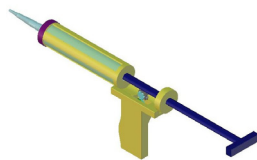
- Install Transom per AAMA 2400-10 installation standard.
- Read instructions from beginning to end before assembling or installing Brickmould.
- Brickmould is not compatible with other Milgard Window or Door offerings.
- Do not use Brickmould on other manufacturers' products.
- Transom must be properly installed and flashed prior to Brickmould installation.
- Milgard Nail Fin Brickmould does not provide structural support or function as a water barrier.
- Use exterior grade high quality sealants. For compatible TiteBond® Sealant colors refer to page 19.

### Required Tools

Screwdriver with #2 Phillips bit

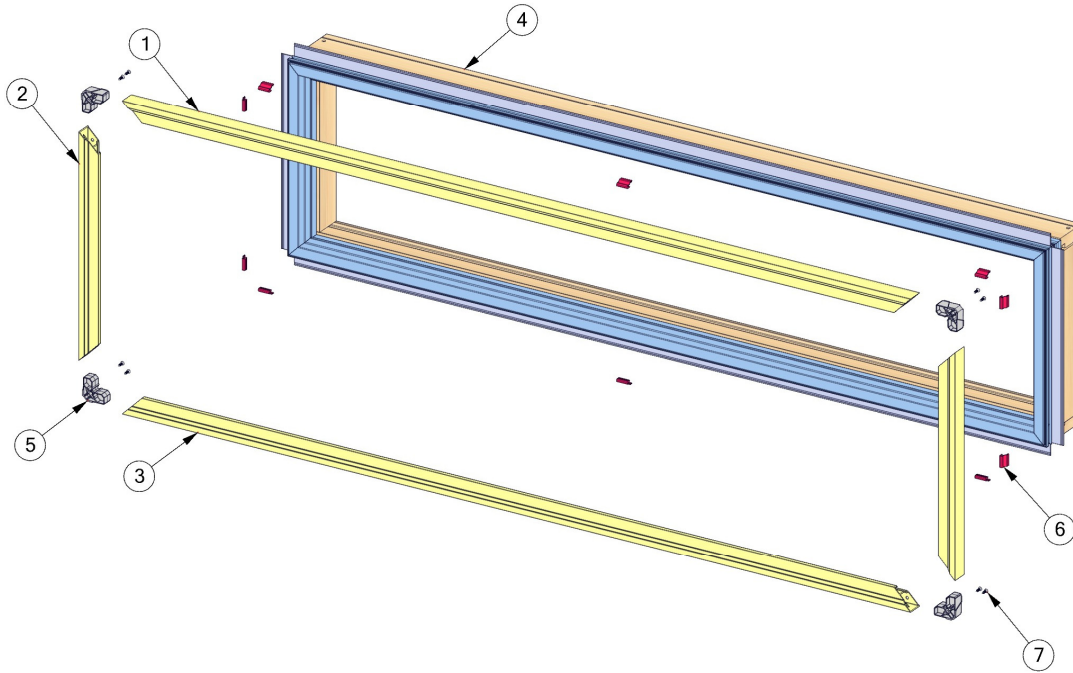


Caulking Gun



# Nail Fin Brickmould Parts

## Brickmould All Sides

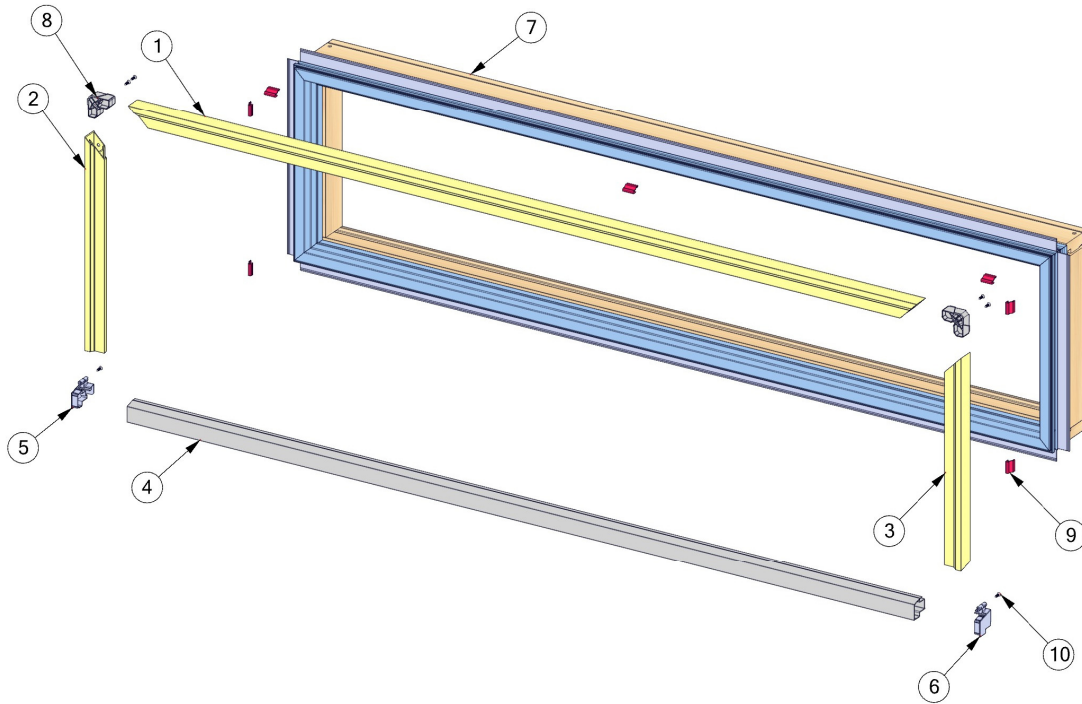


PART	DESCRIPTION	PART NUMBER
1	BRICKMOULD - HEADER	EX7815XX
2	BRICKMOULD - LEG	EX7815XX
3	BRICKMOULD - SILL	EX7815XX
4	(TRANSOM FRAME)	VARIES
5	CORNER KEY	IM7965MI
6	TRIM CLIP	HA7826MI*
7	#8-5/8" FLAT HEAD SS SCREW	FA0442SS

\*HA8300CPML provides a more permanent connection.

## Nail Fin Brickmould Parts (Continued)

### Brickmould with Sill Nose Flush

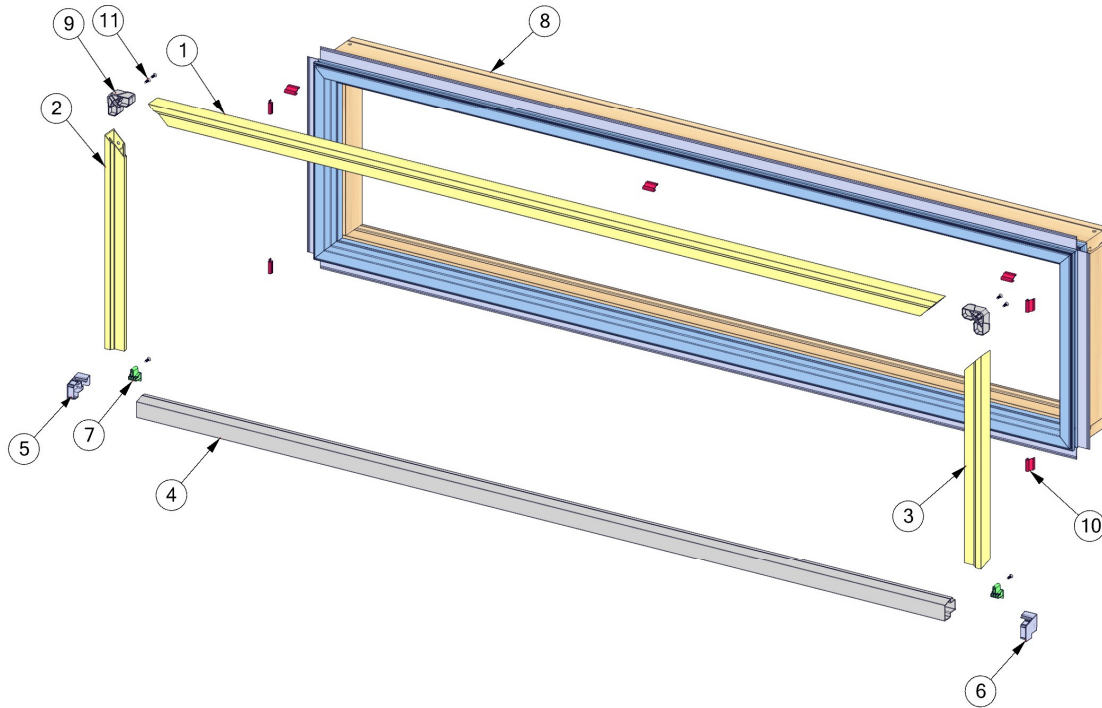


PART	DESCRIPTION	PART NUMBER
1	BRICKMOULD - HEADER	EX7815XX
2	BRICKMOULD - LEG LEFT	EX7815XX
3	BRICKMOULD - LEG RIGHT	EX7815XX
4	SILL NOSE	EX7819XX
5	END CAP - SILL NOSE - LEFT	IM7975XX
6	END CAP - SILL NOSE - RIGHT	IM7974XX
7	(TRANSOM FRAME)	VARIES
8	CORNER KEY	IM7965MI
9	TRIM CLIP	HA7826MI*
10	#8-5/8" FLAT HEAD SS SCREW	FA0442SS

\*HA8300CPML provides a more permanent connection.

## Nail Fin Brickmould Parts (Continued)

### Brickmould with Sill Nose Horn

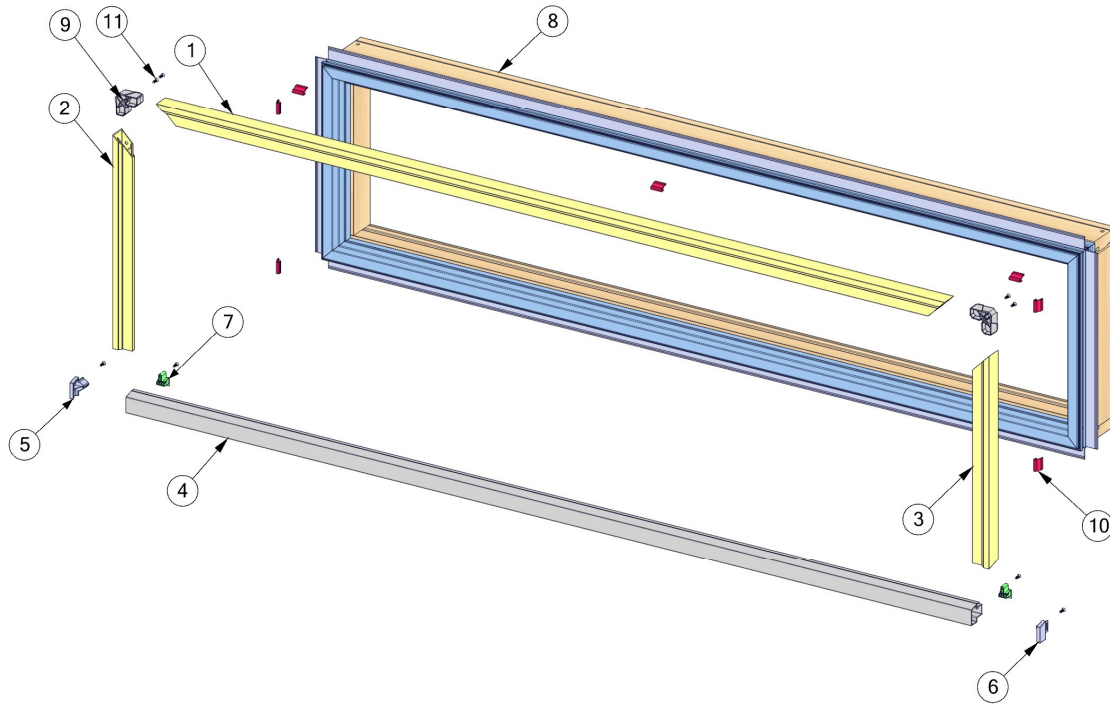


PART	DESCRIPTION	PART NUMBER
1	BRICKMOULD - HEADER	EX7815XX
2	BRICKMOULD - LEG LEFT	EX7815XX
3	BRICKMOULD - LEG RIGHT	EX7815XX
4	SILL NOSE	EX7819XX
5	END CAP - SILL NOSE - LEFT	IM7977XX
6	END CAP - SILL NOSE - RIGHT	IM7976XX
7	SECONDARY SILL KEY	IM8025MI
8	(TRANSOM FRAME)	VARIES
9	CORNER KEY	IM7965MI
10	TRIM CLIP	HA7826MI*
11	#8-5/8" FLAT HEAD SS SCREW	FA0442SS

\*HA8300CPML provides a more permanent connection.

## Nail Fin Brickmould Parts (Continued)

### Brickmould with Sill Nose Variable Horn

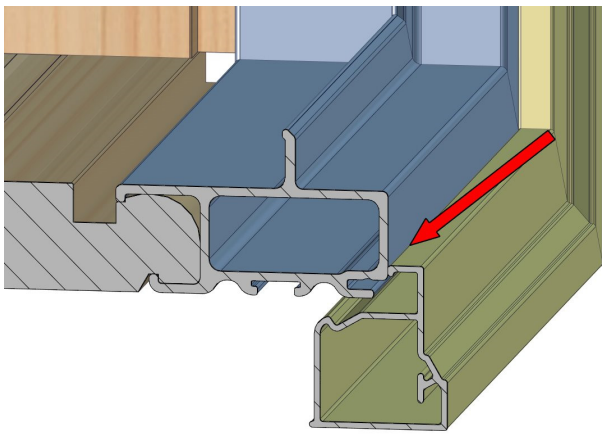


PART	DESCRIPTION	PART NUMBER
1	BRICKMOULD - HEADER	EX7815XX
2	BRICKMOULD - LEG LEFT	EX7815XX
3	BRICKMOULD - LEG RIGHT	EX7815XX
4	SILL NOSE	EX7819XX
5	END CAP - SILL NOSE - LEFT	IM8030XX
6	END CAP - SILL NOSE - RIGHT	IM8031XX
7	SECONDARY SILL KEY	IM8025MI
8	(TRANSOM FRAME)	VARIABLES
9	CORNER KEY	IM7965MI
10	TRIM CLIP	HA7826MI*
11	#8-5/8" FLAT HEAD SS SCREW	FA0442SS

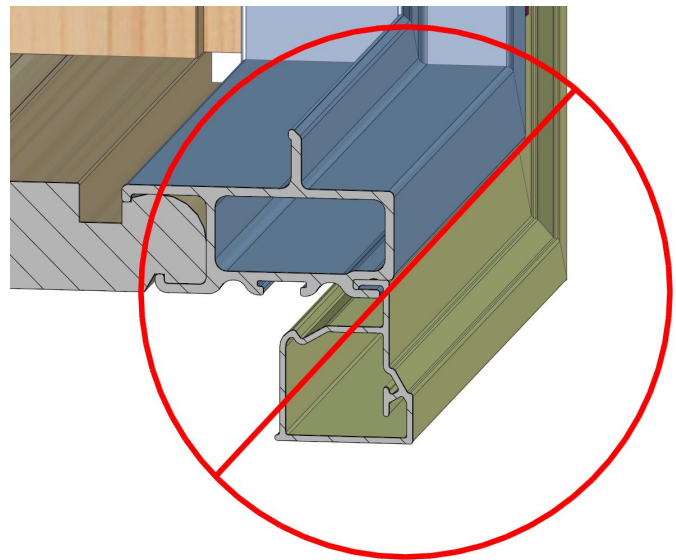
\*HA8300CPML provides a more permanent connection.

## Notes For Proper Installation

---



Brickmould lip rests on the face of the frame.



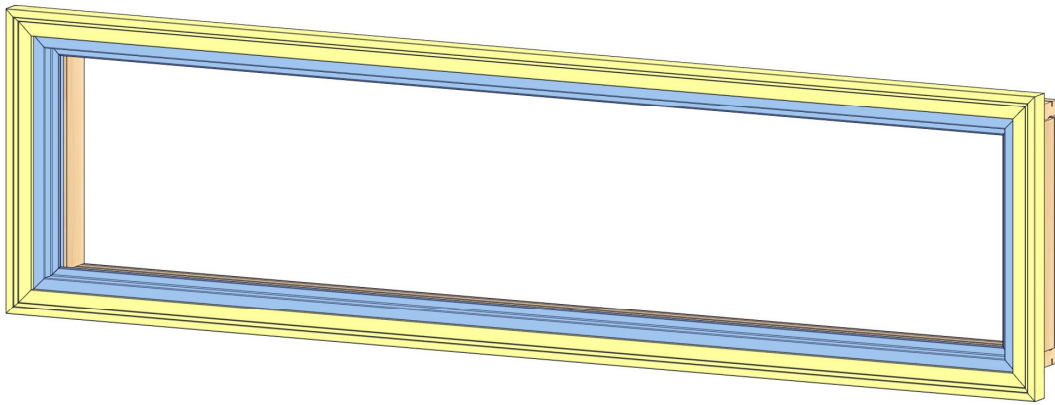
Brickmould lip does not rest inside the accessory groove.

If siding will not be applied around Brickmould, use HA8300CPML. HA8300CPML provides a more permanent connection. Trim is difficult to remove if using HA8300CPML.

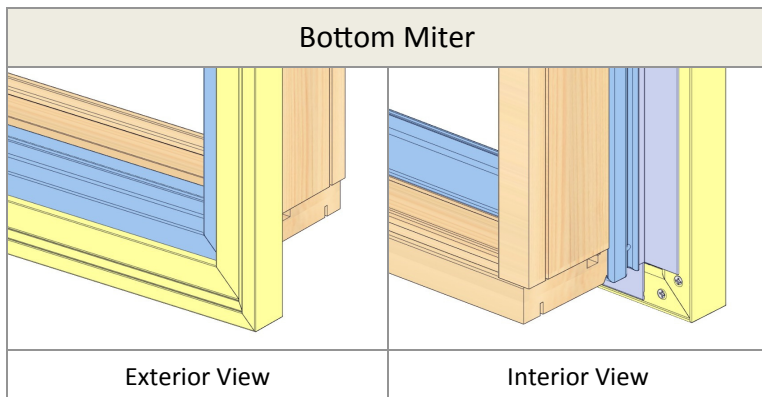
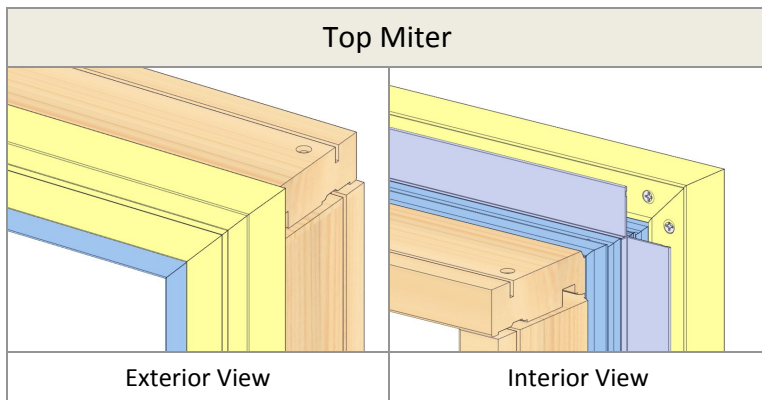


HA8300CPML

# Nail Fin Brickmould Corners

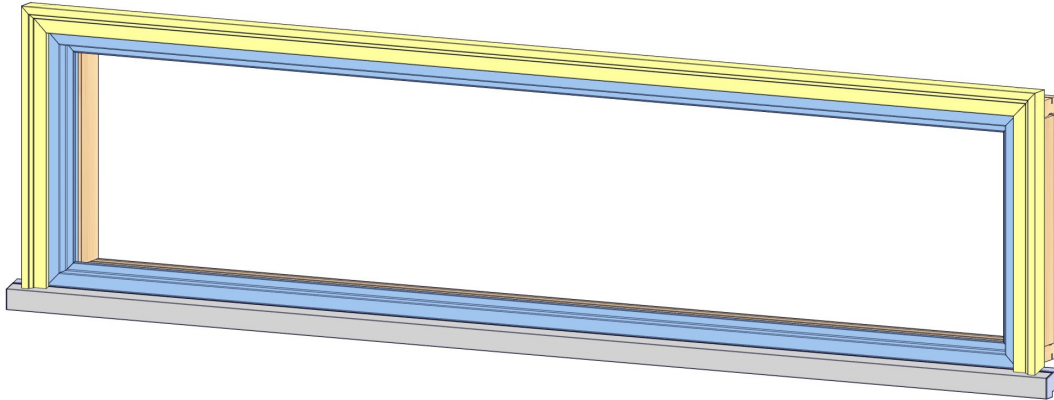


Brickmould All Sides shown

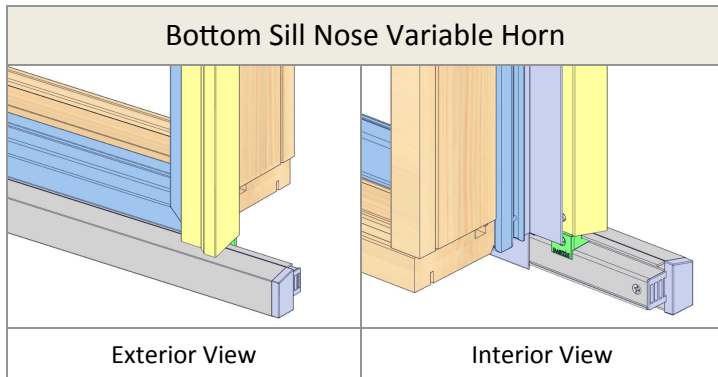
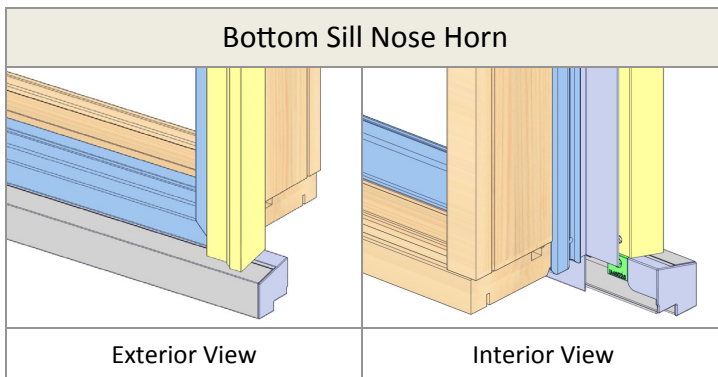
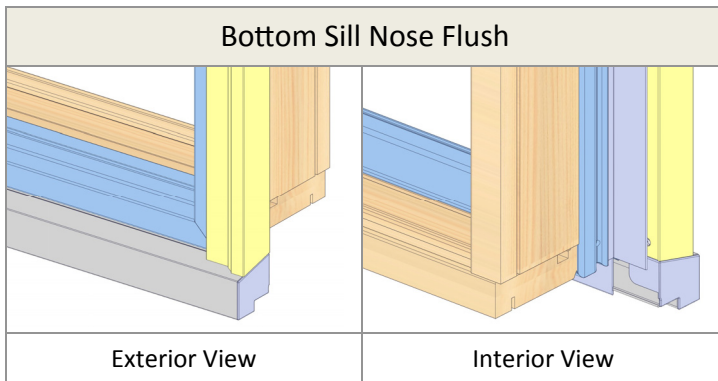


- Brickmould shown in yellow
- Transom Frame shown in blue

# Nail Fin Brickmould Corners (Continued)



Brickmould Sill Nose Horn shown



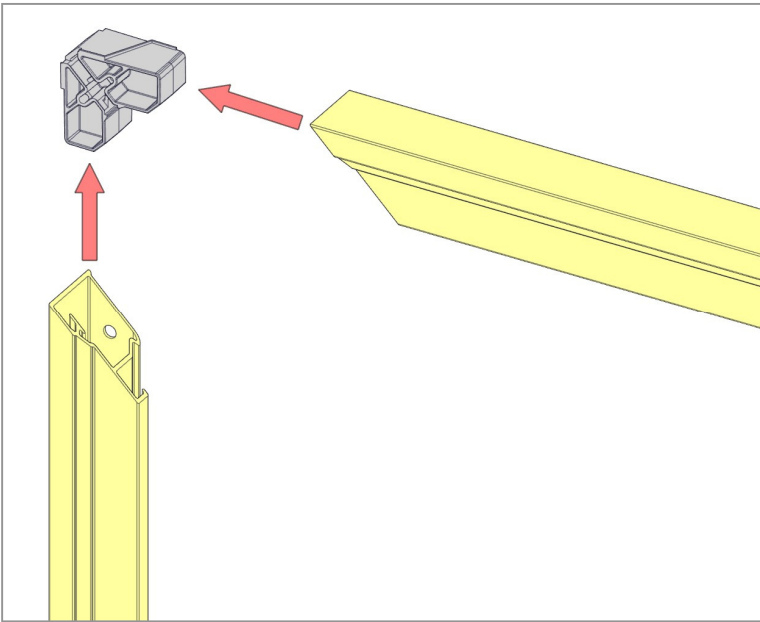
- Brickmould shown in yellow
- Transom Frame shown in blue

## Corner Key Assembly

Skip to Step 8 if installing factory assembled Brickmould

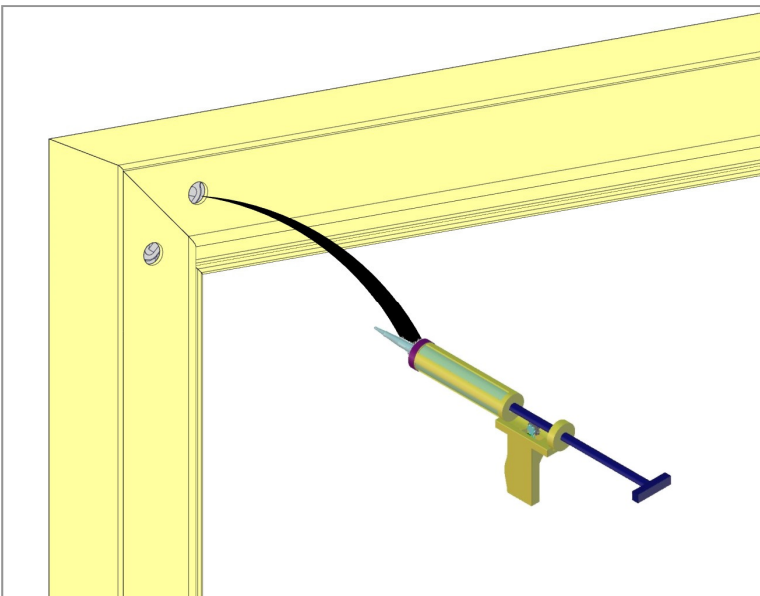
**1**

Determine Header, Sill, and Leg Trim Pieces. Insert Corner Keys into Brickmould miter ends.



**2**

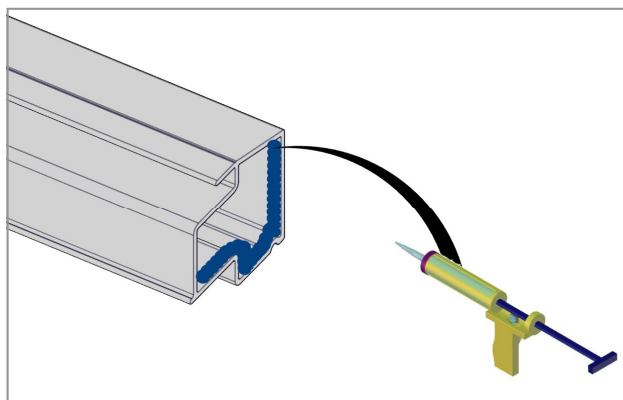
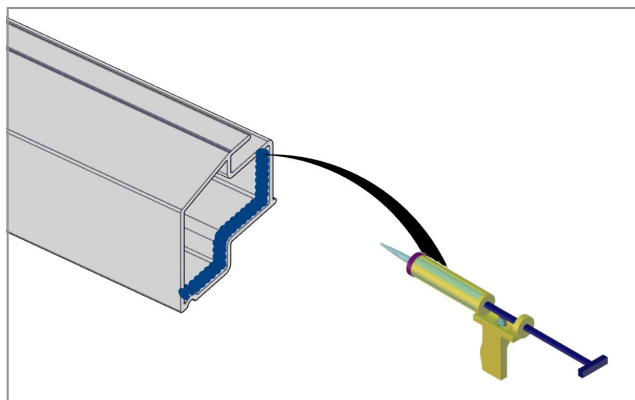
Inject sealant into Corner Keys (half a squeeze into one hole per corner is all that is needed).



## End Cap Assembly

Skip to Step 7 for Brickmould All Sides

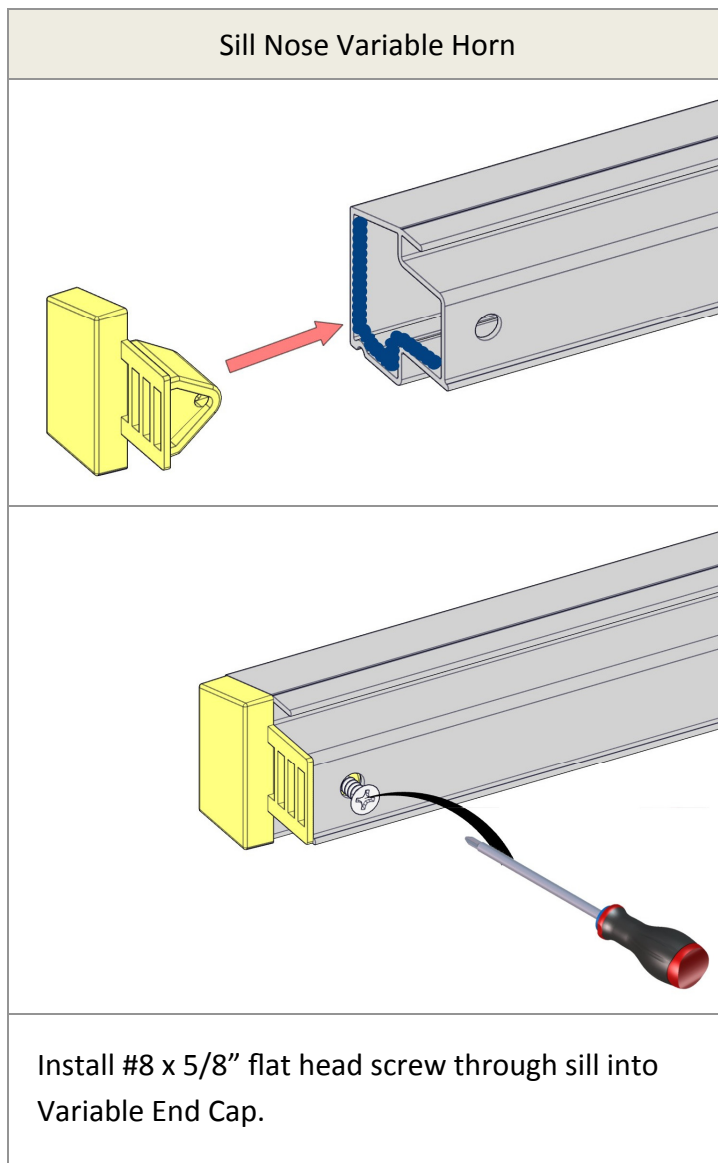
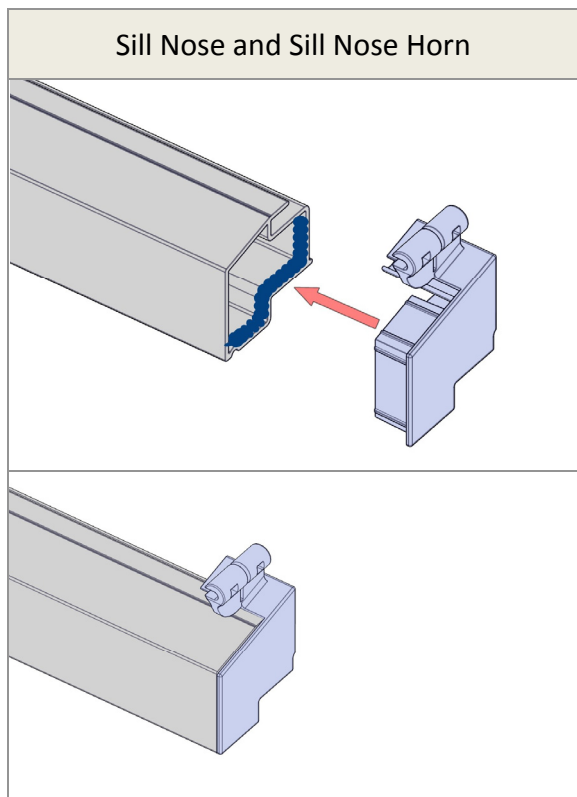
**3** Apply sealant inside of Sill Nose on both ends.



## End Cap Assembly (Continued)

4

Seat End Caps into Sill Nose.

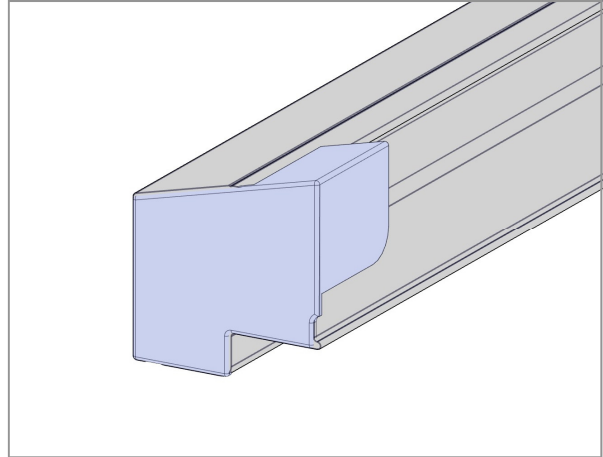
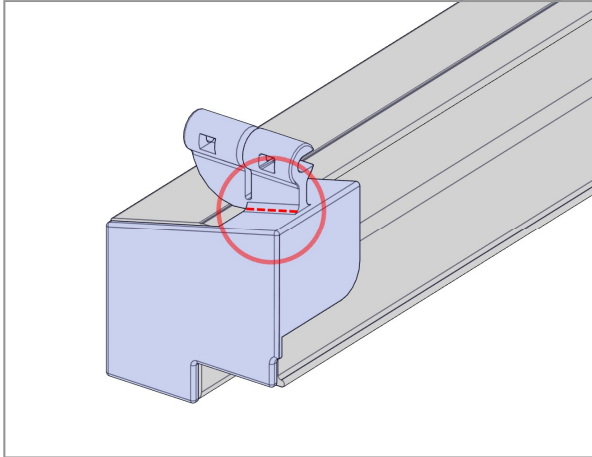


## Sill Nose Horn Modification

**CAUTION! Only do this step for Sill Nose Horns**

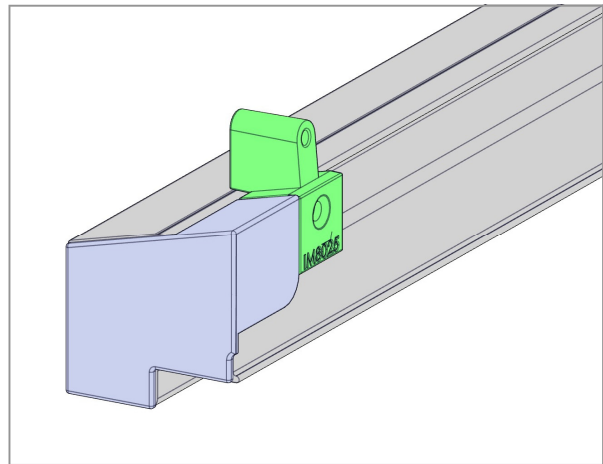
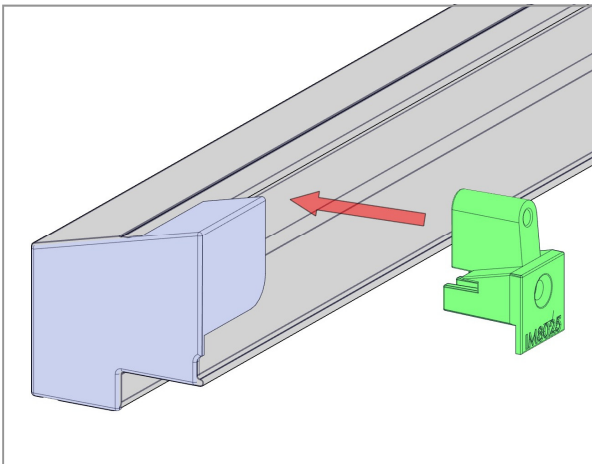
**5**

Remove screw boss from End Cap. Score both sides and snap. Repeat step 5 for other end of Sill Nose.



**6**

Insert Secondary Sill Keys on both ends.



Place Secondary Sill Key against edge of End Cap.

# Install Screws

**7** Install #8 x 5/8" Flat Head Screws.

	Miter Corners
	<p>Start screw into one hole. Start other screw into second hole and tighten until head is flush with Brickmould.</p>

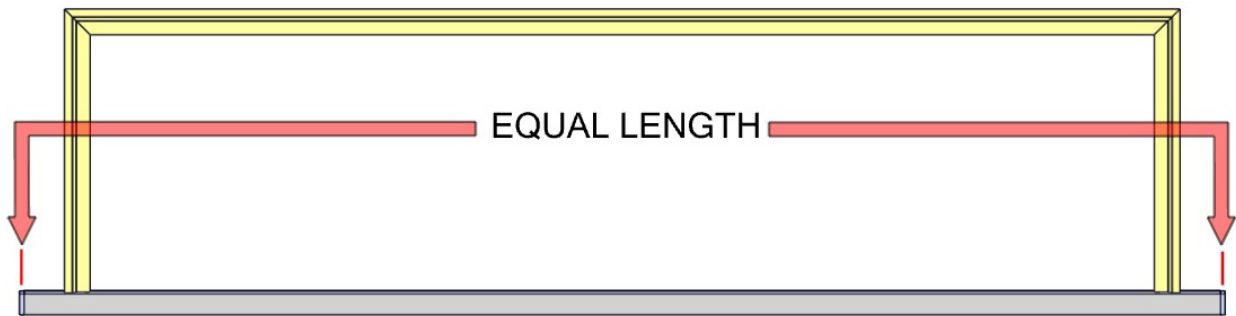
	Sill Nose Flush
	<p>Tighten screw until flush with Brickmould</p>

		Sill Nose Horn
		<p>Make sure secondary Sill Key is against End Cap. Tighten screw until flush with Brickmould. Inject sealant into secondary Sill Key.</p>

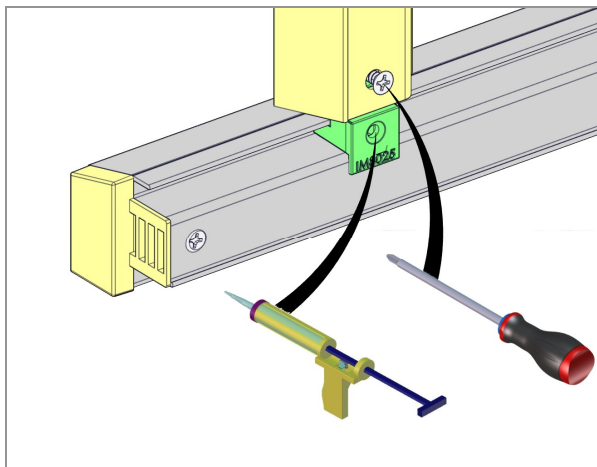
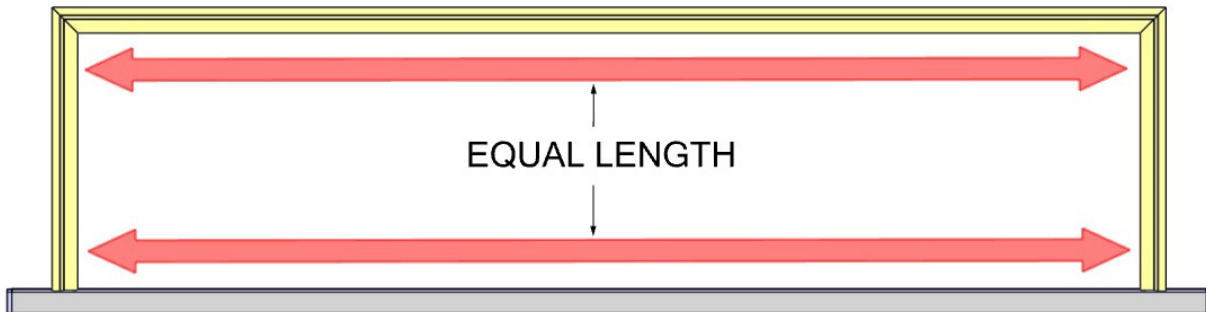
## Install Screws (Continued)

### For Variable Sill Horns only

Make sure Variable Sill Horns are the same length.



Measure top and bottom of trim assembly to verify equal lengths.

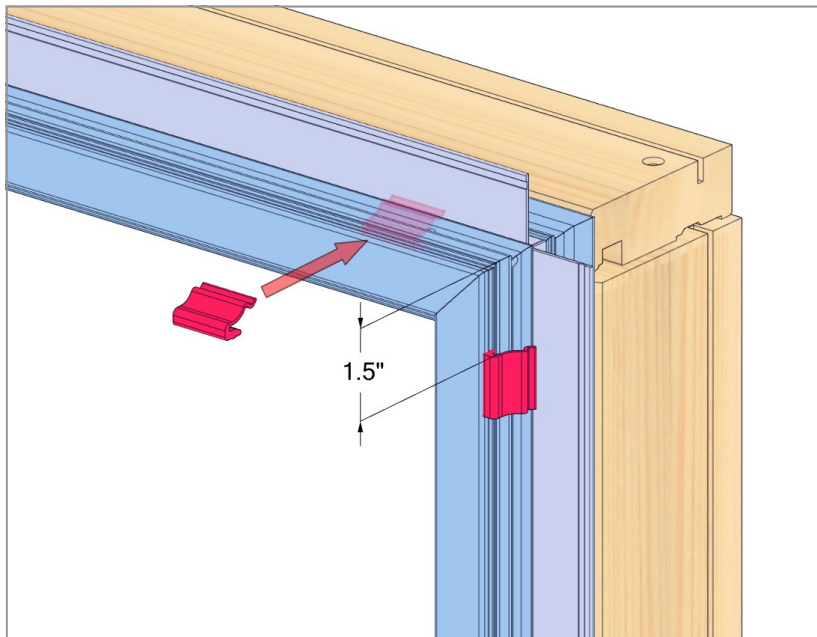


Tighten screw until flush with Brickmould. Inject sealant into secondary Sill Key.

## Trim Clip Attachment

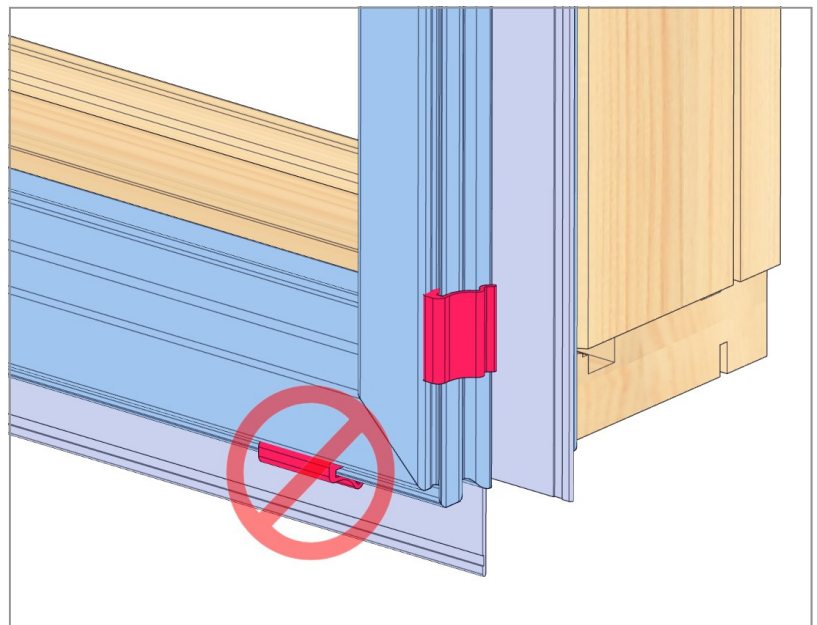
8

Install Trim Clips onto Transom Frame.

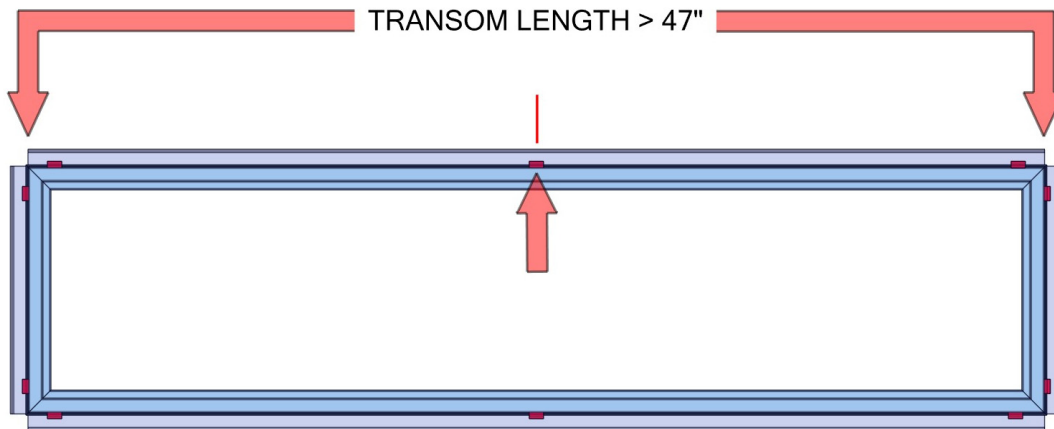


Space Trim Clips 1.5" away from corner. Tap two Trim Clips into each corner.

**If Installing Brickmould with Sill Nose,** do not install Trim Clips in Transom Sill Accessory Groove.

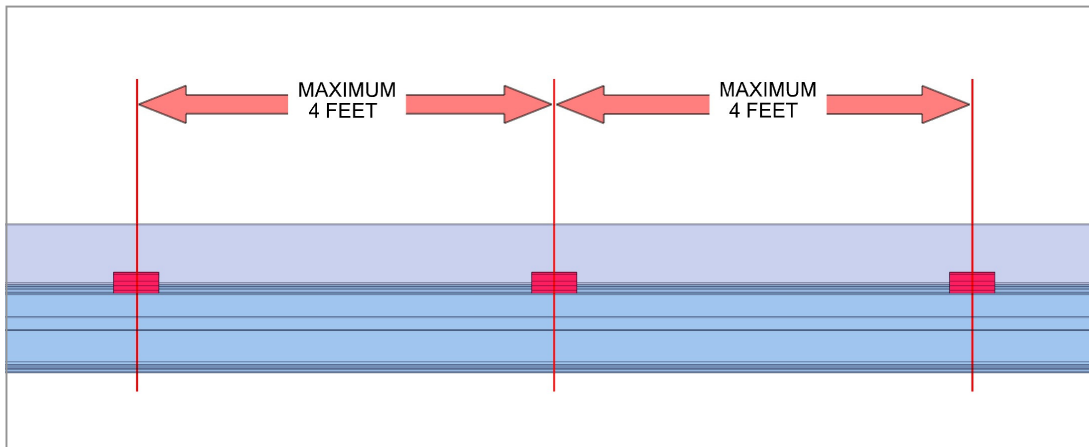


## Trim Clip Attachment (Continued)



If any side of the Transom is 47" or longer, tap Trim Clips into side.

Spacing between Trim Clips should not exceed 4ft. Add additional Trim Clips where necessary for a more secure fit.

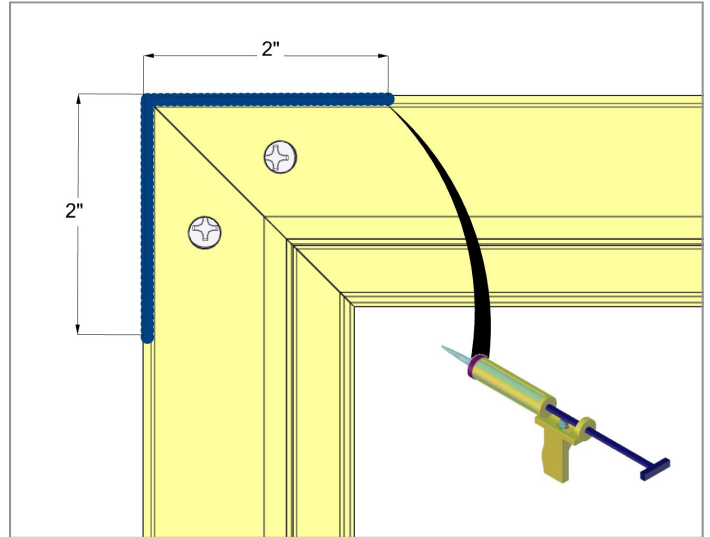
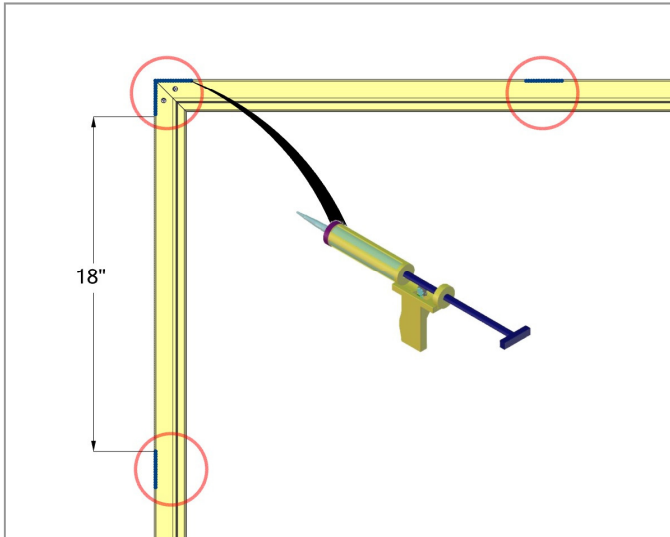


Note: Use HA8300CPML instead of HA7826MI for a stronger connection.

## Trim Installation

**9**

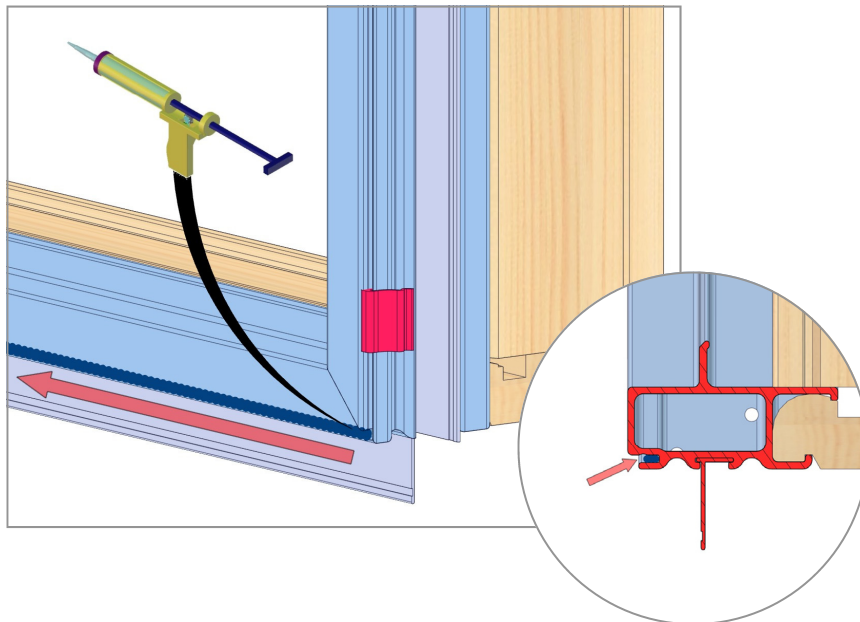
Apply 1/4" diameter 2" long beads of sealant to back of Brickmould. Space beads 18" apart.



**10**

Place clear or color matched sealant into accessory groove along full length of sill.

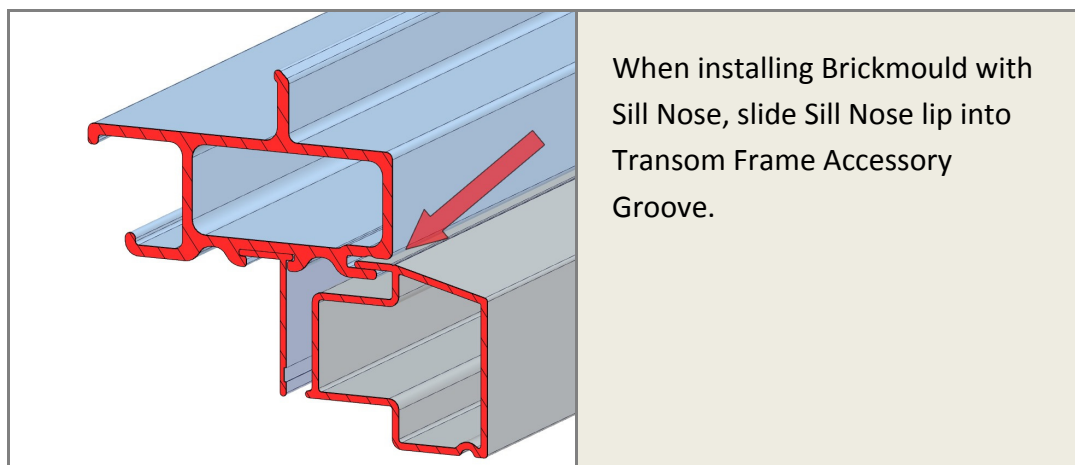
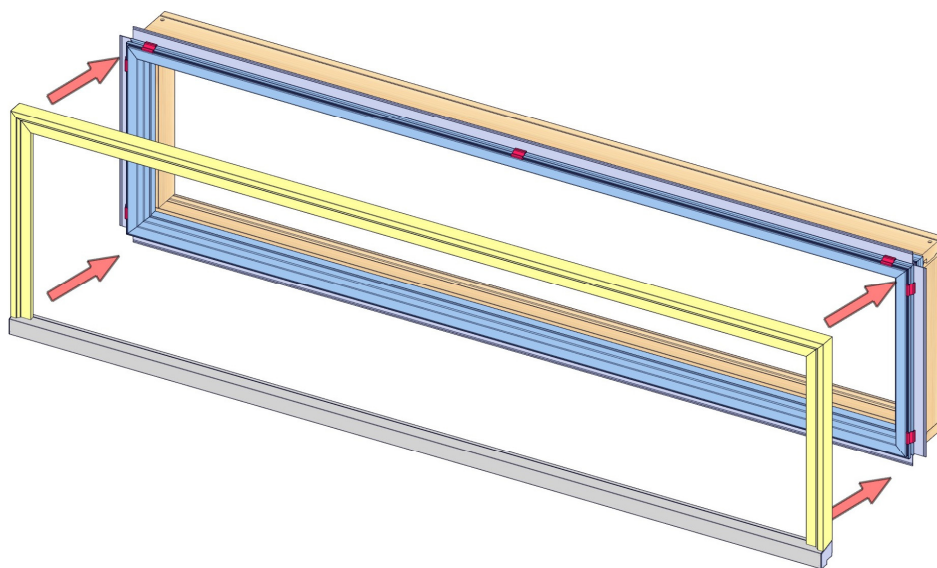
Do this step for Sill Nose only



## Trim Installation (Continued)

**11**

Push Brickmould onto Transom Frame until it seats fully.



## Clean Up

---

- Wipe up any excess sealant.
- Clean up scuff marks with soap and water.

<b>TiteBond® WeatherMaster Sealant Compatible Colors</b>		
<b>Milgard Palette Color</b>	<b>Titebond® WeatherMaster™ Color Reference</b>	<b>Milgard Part Number</b>
Bark	44061	SE7673AR
Black Bean	44031	SE7673BL
Bronze	45841	SE7673ZB
Cinnamon	45521	SE7673CI
Classic Brown	44211	SE7673LW
Espresso	45661	SE7673EX
Evening Sky	45531	SE7673ES
Fern	45651	SE7673FN
Fog	46681	SE7673FO
Frost	44001	SE7673FS
Harmony	44641	SE7673HR
Ivory	45511	SE7673IV
Pea Pod	49211	SE7673PP
Sand	46041	SE7673SD
Tweed	44691	SE7673TE
Twilight	44031	SE7673BL

REVISIONS					
REV	ECN	DESCRIPTION	DATE	DRAWN	APPD.
C	3973ECNTA	Added HA8300CPML NOTES TO PAGES 3, 4, 5, 6 &17. ADDED PAGE 7.	05/24/2016	BBB	VM
B	3977ECNEG	MINOR GRAMMATICAL/LAYOUT CHANGES; TRIM CLIP CLARIFICATION	07/17/2015	NDS	DO
A	3848ECNEG	RELEASE	5/22/2015	NDS	VM