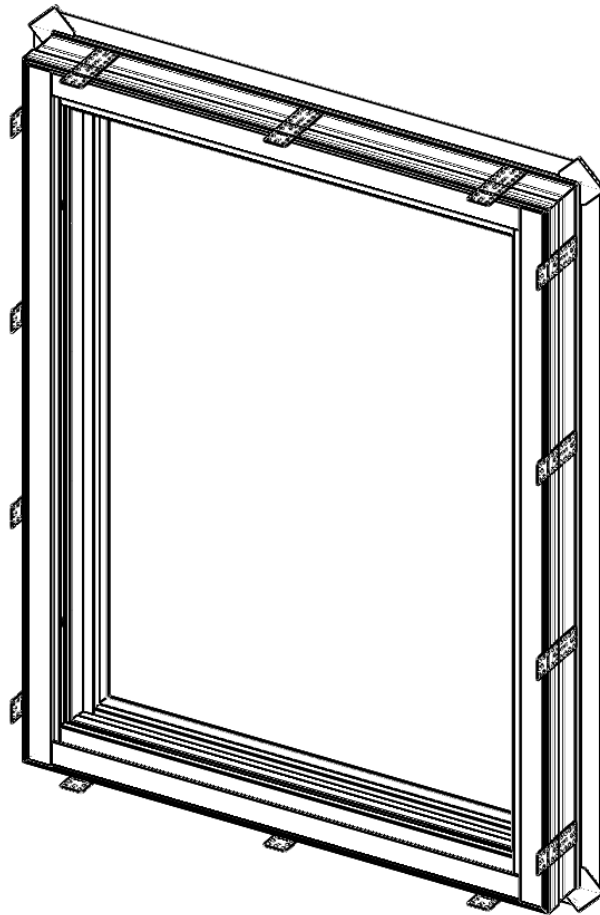




*Clearly the best.*TM

Application of Installation Straps for Essence Windows



Application Instructions

LA7939MM

Contents:

- (50) Installation Straps
- (1) Bag of 100 Rivets
- (1) Application Instructions
- (1) 13/64" Drill Bit

Tools Required:

- Drill
- #8 x 1 5/8" exterior grade screws – for install
- Pop Rivet Tool
- (Recommended – Allstar Performance # ALL18205)

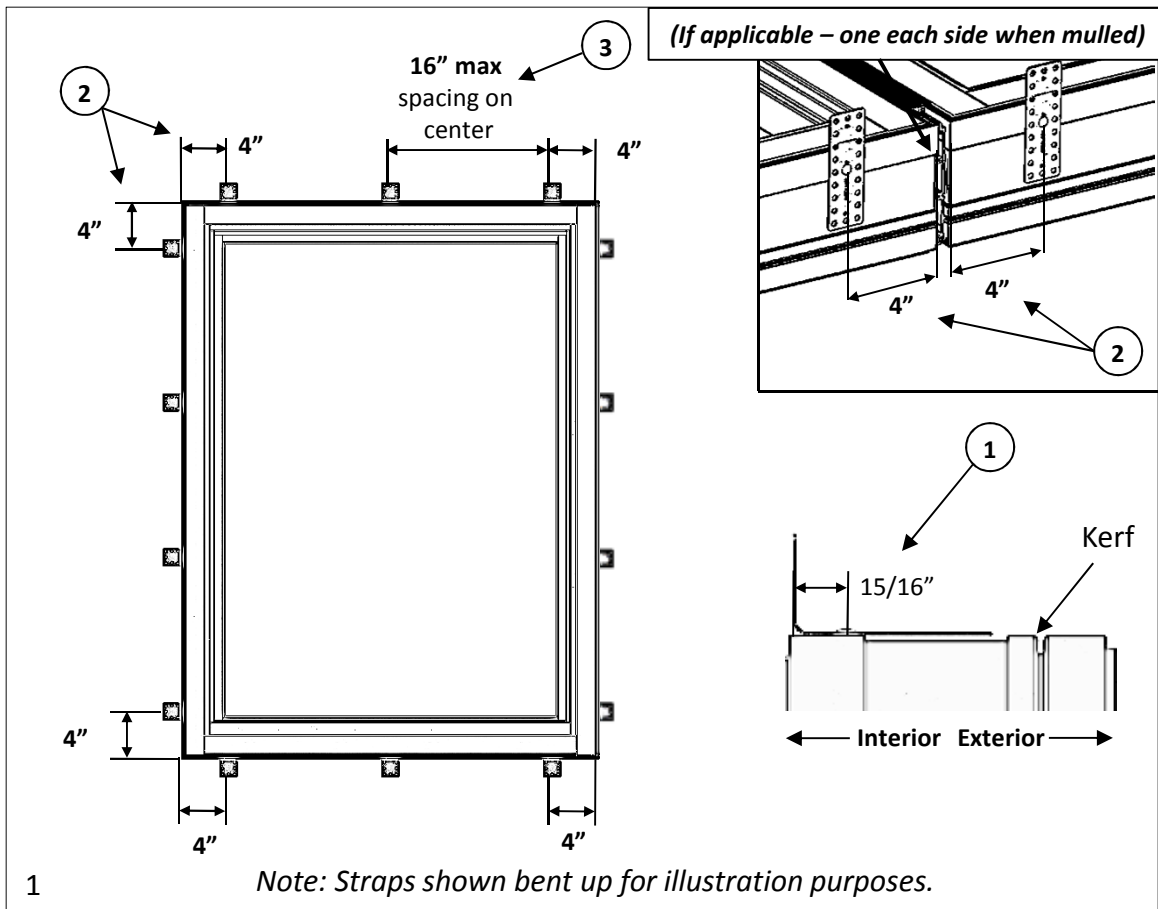
1

Drill for straps (See illustration 1)

Use 13/64" drill bit 1/2" deep (one wall)

⚠ Important: Drilling Deeper than 1/2" could penetrate interior walls.

1. 15/16" from interior
2. 4" off each corner (and mull ends if applicable)
3. 16" maximum on centers around perimeter.



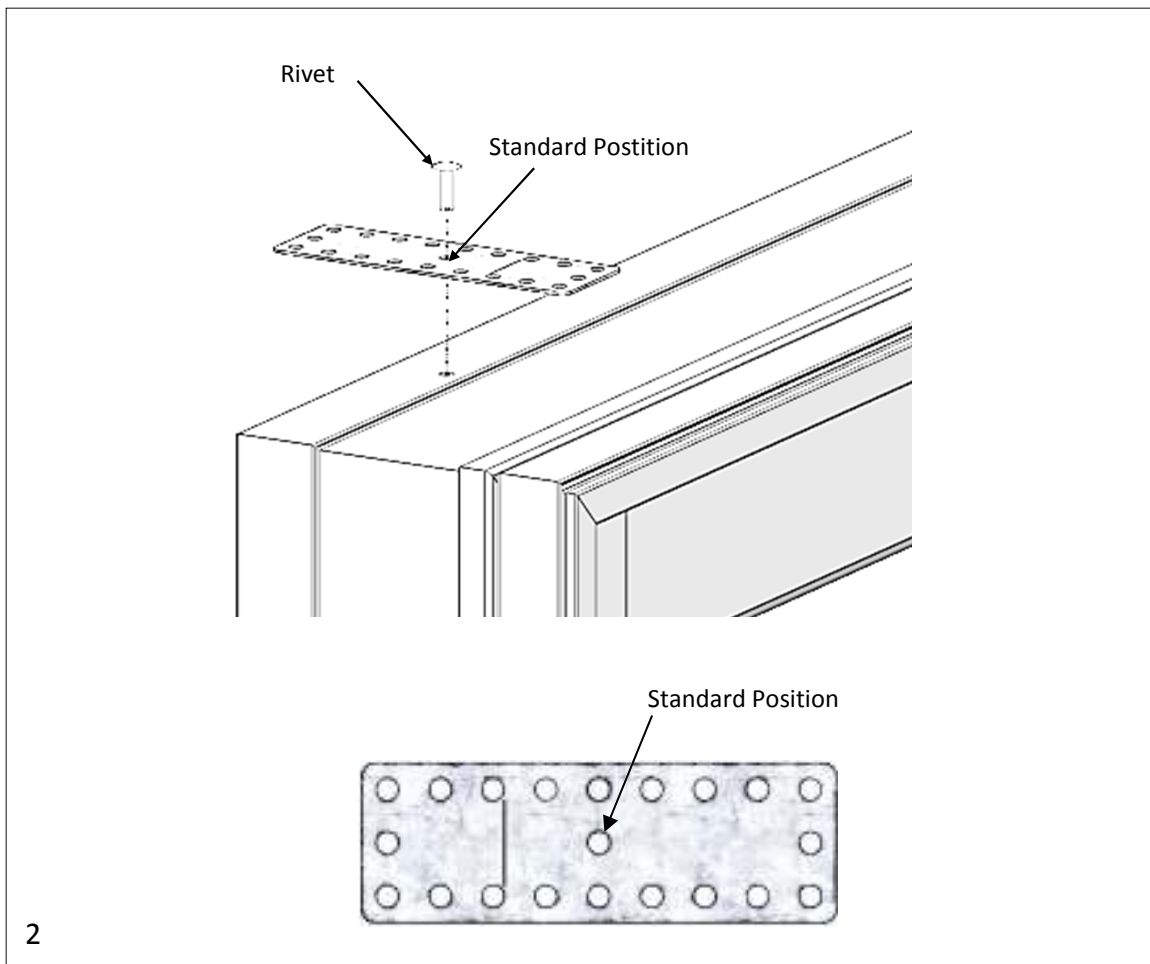
2

Pop Rivet installation straps to frame (See illustration 2)

Install pop rivets (McMaster Carr p/n: 97447A050 – 3/16" Dia., Grip range 0.126" – 0.25", 0.45" length, 0.394" Head Dia., 310lbs shear strength, 500lbs tensile strength) through every drilled hole to secure installation straps to frame.

⚠ Important: Failure to use Milgard supplied rivets or specified McMaster Carr rivet will decrease expected performance.

Note: Recommended rivet tool for drill gun – All Star Performance model# ALL18205



3

Install and seal unit in opening (See illustration 3)

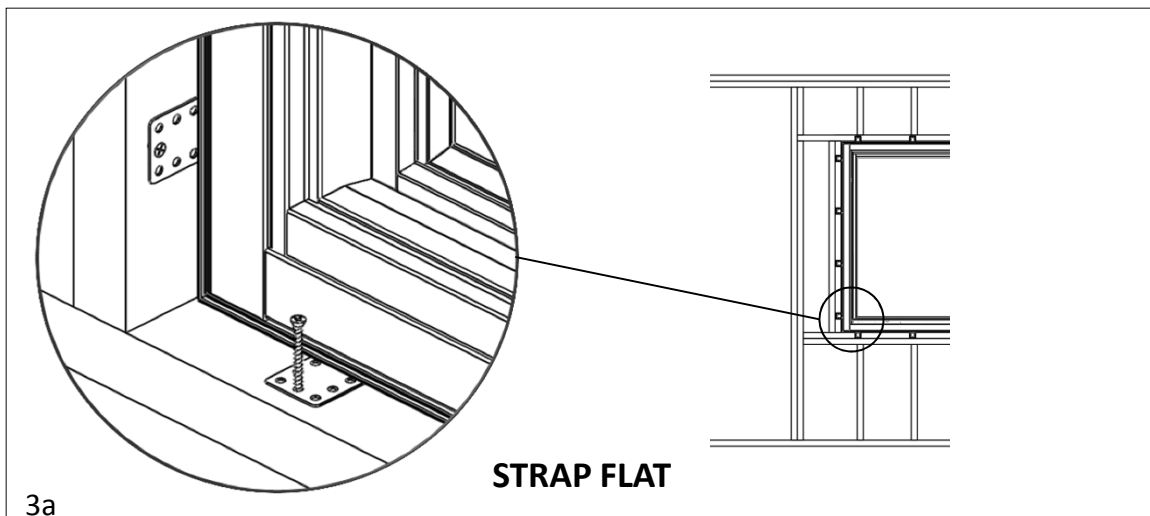
Seal and shim assembled unit into opening according to AAMA-2400-10.

Secure unit using #8 exterior grade screws with minimum 1 ½" penetration through each installation strap into the opening.

Minimum 1x screw per strap.

Bend straps if necessary.

⚠ Important for mullied units: Be sure to adequately support each window while lifting window into opening. Failure to support could damage frame corners.



OR

