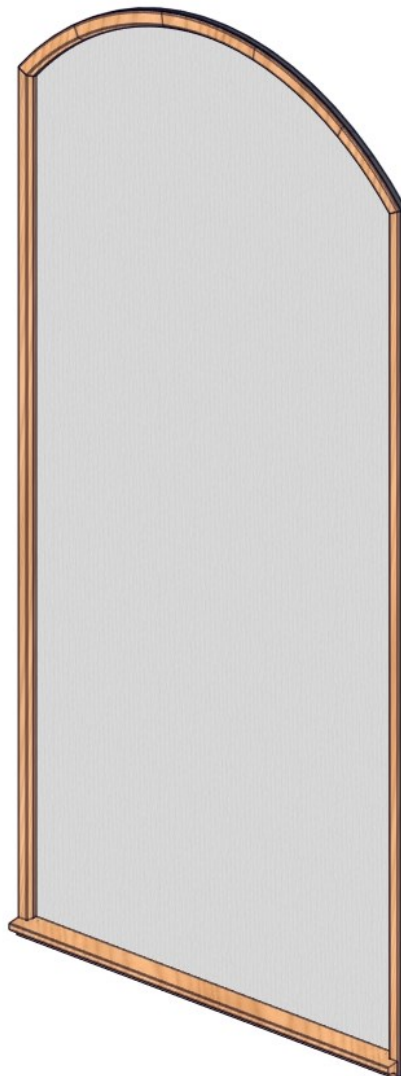




*Clearly the best.®*

# Arch Frame Windows Screen Repair Instructions





*Clearly the best.*

## Table Of Contents

---

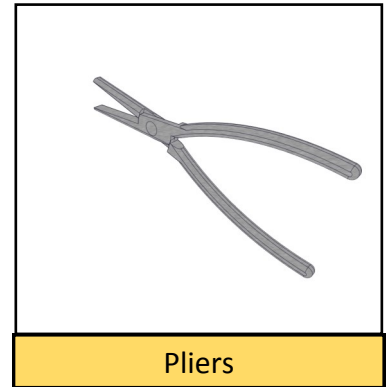
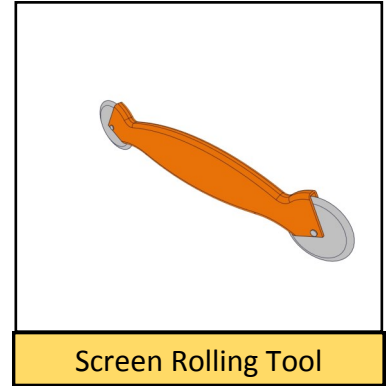
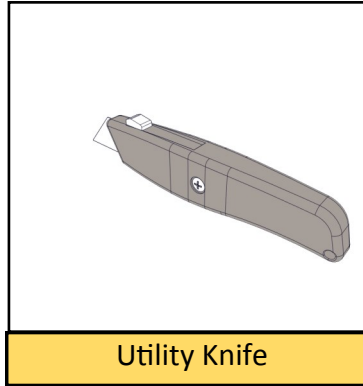
Required Tools .....	3
Required Parts .....	3
Screen Parts .....	4
Screen Operation .....	5
Foam Spring .....	5
Fastener Strip Replacement .....	6
Mesh Replacement .....	7
Verify Operation .....	9
Finishing .....	9
Clean Up .....	10
Revisions .....	11

## Required Tools

---

### User Supplied

- Utility Knife
- Screen Rolling Tool (Optional)
- Pliers

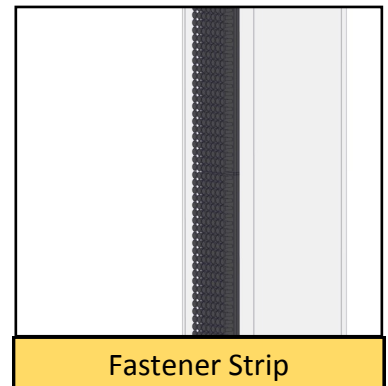
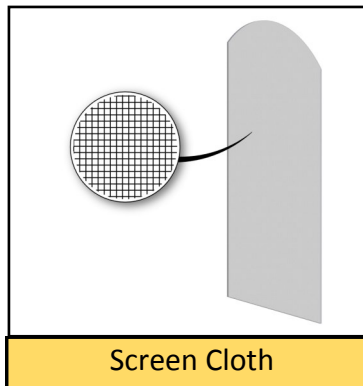


## Required Parts

---

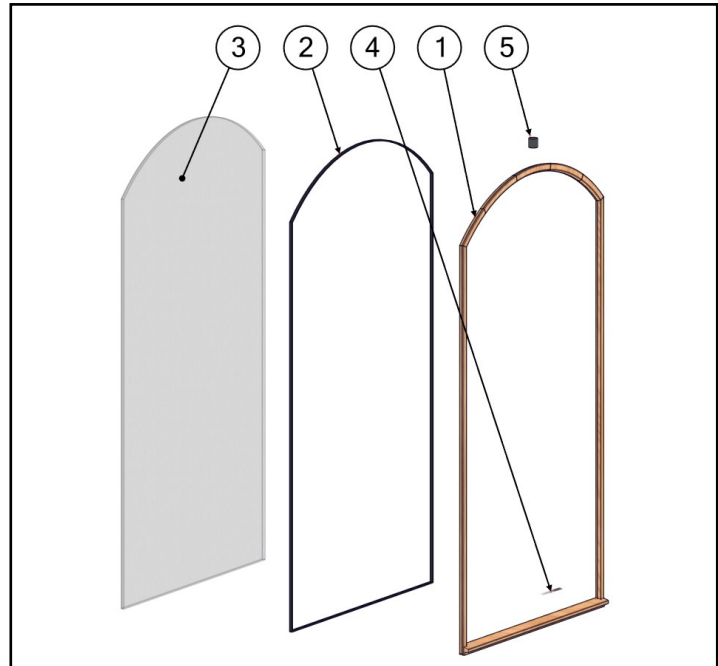
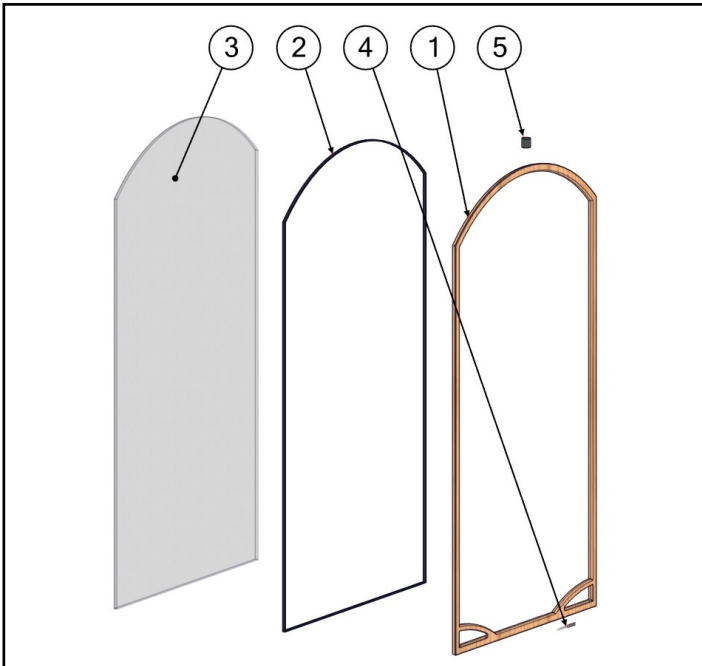
### User Supplied

- Screen Cloth
- Fastener Strip (Optional)



## Screen Parts

See Parts Manual, LA7020, for more part numbers and options

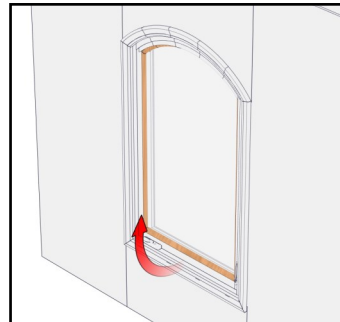


Standard Screen Parts		
PART	DESCRIPTION	PART NUMBER
1	SCREEN FRAME	PFOX0801
2	FASTENER STRIP	FA7605BL
3	SCREEN MESH	VARIES
4	SCREEN WARNING LABEL	LA0061CE
5	FOAM SPRING	MI8160MI
NOTE: "X" IN PART NUMBER CHANGES WITH MODEL		
SCREENS ARE ONLY AVAILABLE FULLY ASSEMBLED		

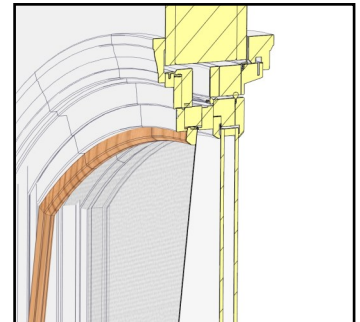
Upgrade Screen Parts		
PART	DESCRIPTION	PART NUMBER
1	SCREEN FRAME	N/A
2	FASTENER STRIP	FA7605BL
3	SCREEN MESH	VARIES
4	SCREEN WARNING LABEL	LA0061CE
5	FOAM SPRING	MI8160MI
NOTE: "X" IN PART NUMBER CHANGES WITH MODEL		
SCREENS ARE ONLY AVAILABLE FULLY ASSEMBLED		

## Screen Operation

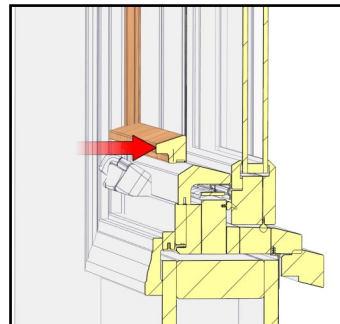
- Remove Screen by lifting handle up and out
- Replace Screen by inserting top in first and lifting bottom over crown in Sill Cover
- Screen is held in place with foam spring at top of window. The foam spring is part of the window frame



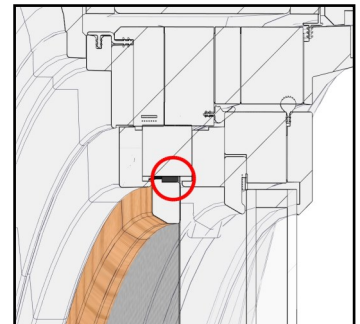
Screen Removal



Screen In Header



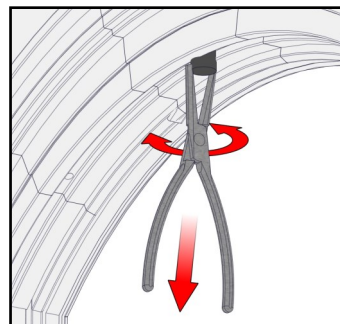
Screen Install



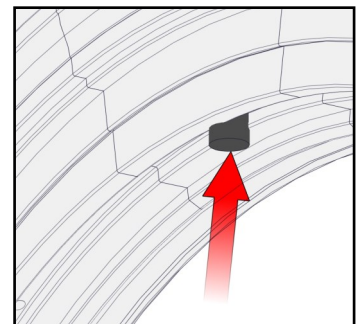
Screen Spring Foam

## Foam Spring

- The foam spring is replaceable.
- Do not paint or stain the foam spring
- Remove the foam spring by pinching it while tugging downward with a twisting motion
- Replace the foam spring by pushing it into the hole. Push until the bottom of the spring is past the lip on the bottom of the header



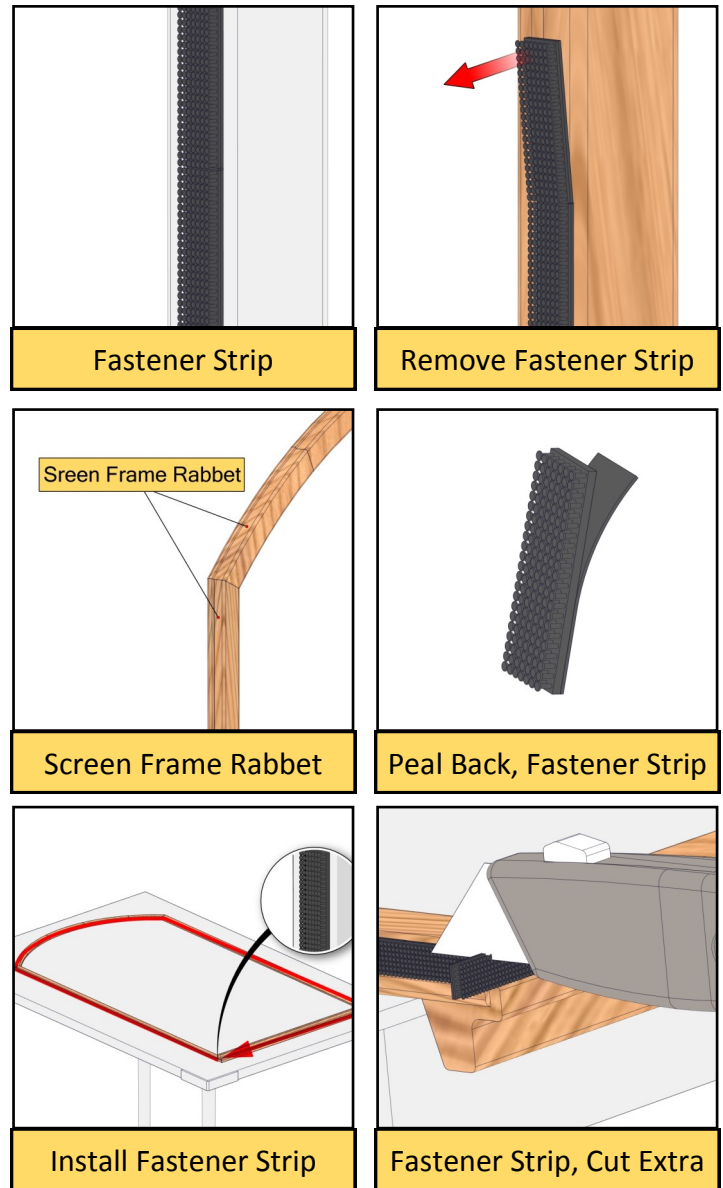
Remove Foam Spring



Install Foam Spring

## Fastener Strip Replacement

- Remove existing fastener strip by pulling it away from the screen frame
- Clean screen frame rabbet where fastener strip adheres
- Peel a short section of liner on back of fastener strip
- Start the fastener strip on the bottom of the screen
- Using the rabbet as a guide, place fastener strip around the full perimeter of the frame
- Remove liner as you work your way around the frame
- Butt end of fastener strip against starting point
- Use Utility Knife to cut fastener strip
- Firmly press fastener strip against Screen Frame



**Note:**

- ◆ Mesh replacement does not require replacement of fastener strip.

## Mesh Replacement

### Note:

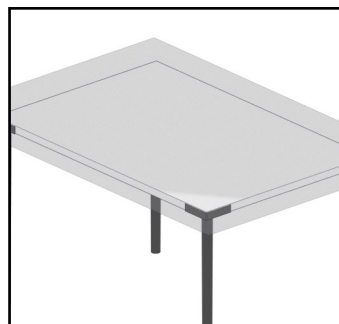
- ◆ There is not any screen spline associated with this screen type
- ◆ If existing mesh is pushed off of screen frame and edges are not frayed, you may reattach it.
- ◆ Mesh does not require looseness of traditional screen spline method

### Existing mesh

- Stretch mesh back over fastener strip
- Press mesh into fastener strip
- Make sure mesh is fully embedded into fastener strip

### New mesh (Fiberglass or Aluminum)

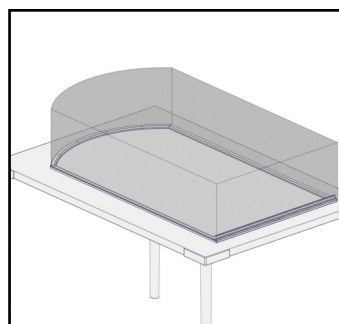
- Start with mesh about one foot wider and taller than screen frame
- Fully support mesh on a flat surface
- Center Screen Frame on mesh with inside surface up
- Square up frame with mesh
- Attach mesh to bottom of Screen Frame along entire width
- Use fingers or roller tool to fully embed mesh into fastener strip
- Take care not to introduce any wrinkles into screen mesh
- Slightly pull screen mesh towards top of screen frame to remove wrinkles



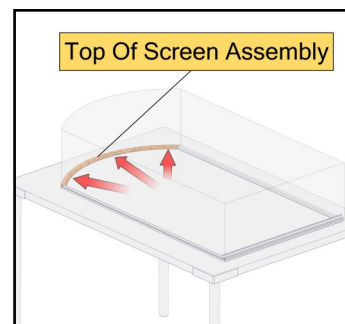
Screen Mesh On Table



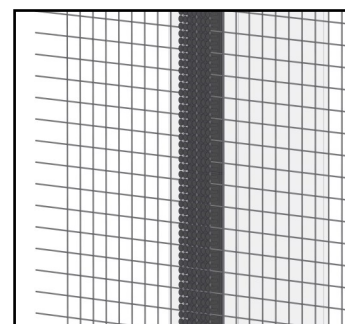
Screen Frame On Mesh



Screen Mesh Folded



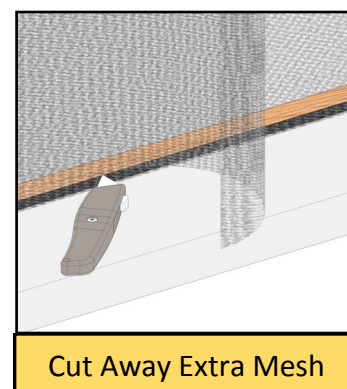
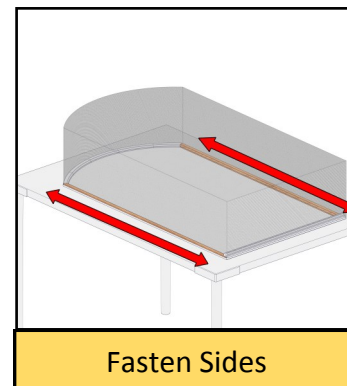
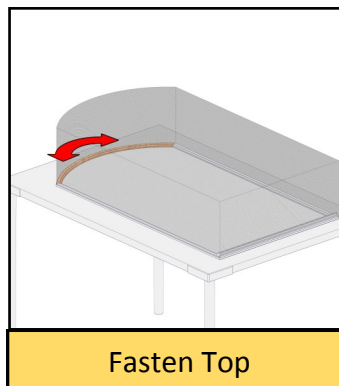
Pull Screen To Top



Screen In Fastener Strip

## Mesh Replacement (Continued)

- Embed mesh into top fastener strip
- Start in the middle and work towards outer edges
- Hold screen assembly up to see if there are any wrinkles
- Remove wrinkles though pulling mesh off and re-fastening to screen frame
- Attach to sides of frame
- After satisfactorily attaching mesh, fully embed mesh into fastener strip
- Trim mesh with utility knife
- Use edge of fastener strip to guide knife blade
- Cut any loose threads or wire



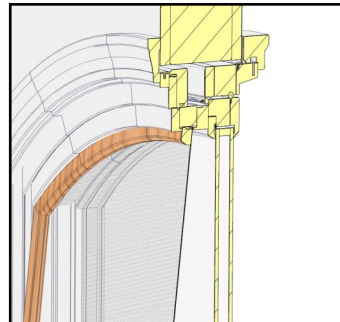
### Quality Check:

- ◆ Uniform stretch across frame
- ◆ If screen is too tight across width, the frame will tend to "hourglass".
- ◆ If screen is too loose, bubbles of loose cloth will be seen on "surface" of screen.
- ◆ After satisfactorily attaching mesh, fully embed mesh into fastener strip

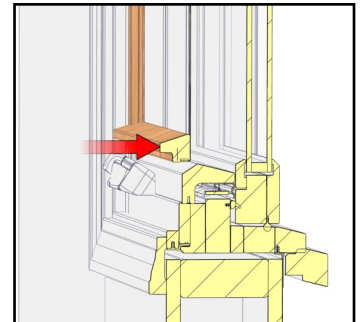
## Verify Operation

---

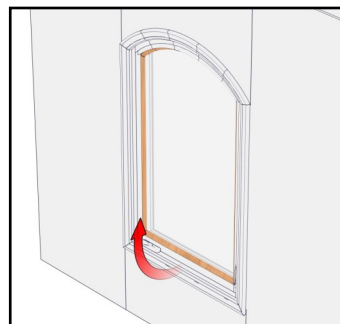
- Insert and remove finished screen
- If screen is overly difficult to insert or remove, verify Sill, Head and Jamb covers do not have any gaps



Screen In Header, No Gap



Screen Install



Screen Removal

## Finishing

---

- It is possible to stain or paint the screen frame without removing the mesh.
- Avoid painting or putting urethane on fastener strip. It is much more difficult to replace mesh if there is paint or urethane present.

## Clean Up

---

- Remove any smudge marks with soft cloth and water

TiteBond® WeatherMaster Sealant Compatible Colors		
Milgard Palette Color	TiteBond® WeatherMaster™ Color Reference	Milgard Part Number
Bark	44061	SE7673AR
Black Bean	44031	SE7673BL
Bronze	45841	SE7673ZB
Cinnamon	45521	SE7673CI
Classic Brown	44211	SE7673LW
Espresso	45661	SE7673EX
Evening Sky	45531	SE7673ES
Fern	45651	SE7673FN
Fog	46681	SE7673FO
Frost	44001	SE7673FS
Harmony	44641	SE7673HR
Ivory	45511	SE7673IV
Pea Pod	49211	SE7673PP
Sand	46041	SE7673SD
Tweed	44691	SE7673TE
Twilight	44031	SE7673BL



*Clearly the best.*

## Revisions

---

REVISIONS					
REV	ECN	DESCRIPTION	DATE	DRAWN	APPD.
A	4278ECNEG	INITIAL RELEASE	10/10/2016	BBB	VM