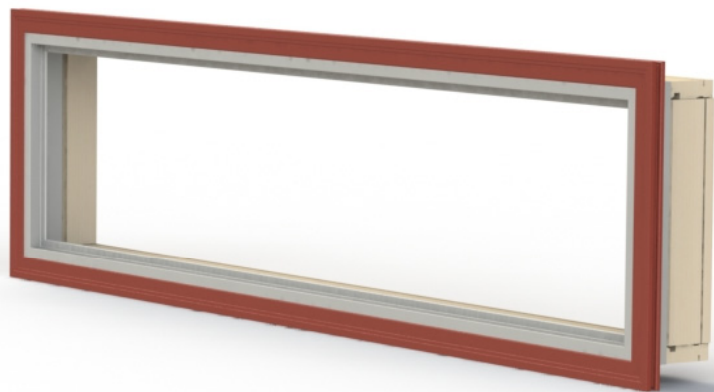
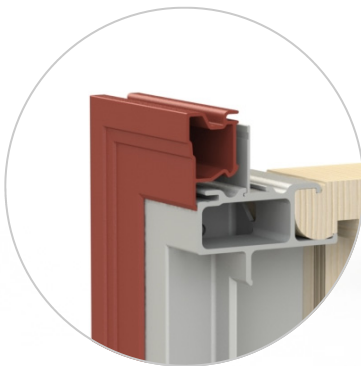




Clearly the best.®

Stucco Brickmould for a Nail Fin Transom Installation Instructions



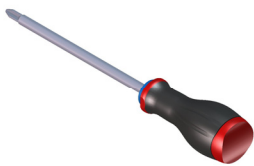
Nail Fin Stucco Brickmould Instructions

For Milgard Essence Series® Windows and Doors

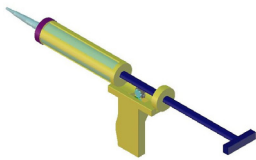
- Install Transom per AAMA 2400-10 installation standard.
- Read instructions from beginning to end before assembling or installing Stucco Brickmould.
- Stucco Brickmould is not compatible with other Milgard Window or Door offerings.
- Do not use Stucco Brickmould on other manufacturers' products.
- Transom must be properly installed and flashed prior to Stucco Brickmould installation.
- Milgard Nail Fin Stucco Brickmould does not provide structural support or function as a water barrier.
- Use exterior grade high quality sealants. For compatible TiteBond® Sealant colors refer to page 22.

Required Tools

Screwdriver with #2 Phillips bit

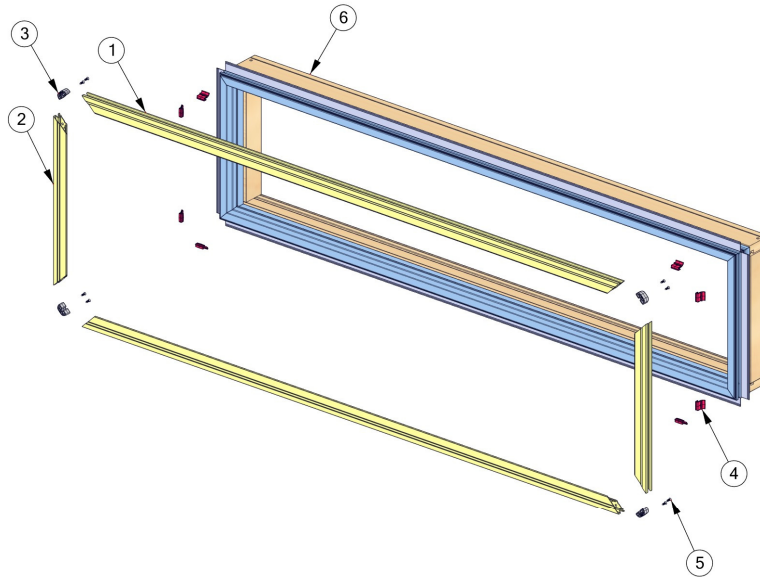


Caulking Gun



Nail Fin Stucco Brickmould Parts

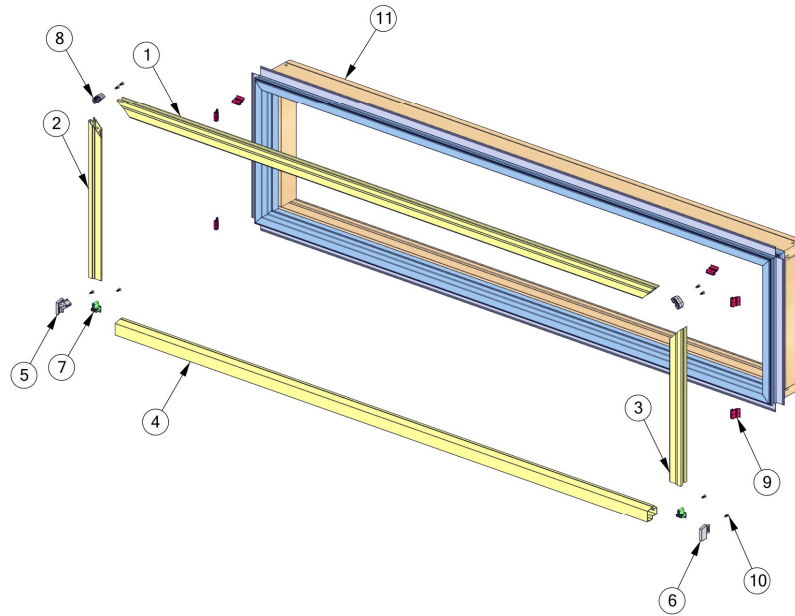
Stucco Brickmould All Sides



PART	DESCRIPTION	PART NUMBER
1	STUCCO BRICKMOULD - HEADER/SILL	EX7853XX
2	STUCCO BRICKMOULD - LEG	EX7853XX
3	CORNER KEY	IM8029MI
4	TRIM CLIP	IM8028MI
5	#8-5/8" FLAT HEAD SS SCREW	FA0442SS
6	(TRANSOM FRAME)	VARIES

Nail Fin Stucco Brickmould Parts (Continued)

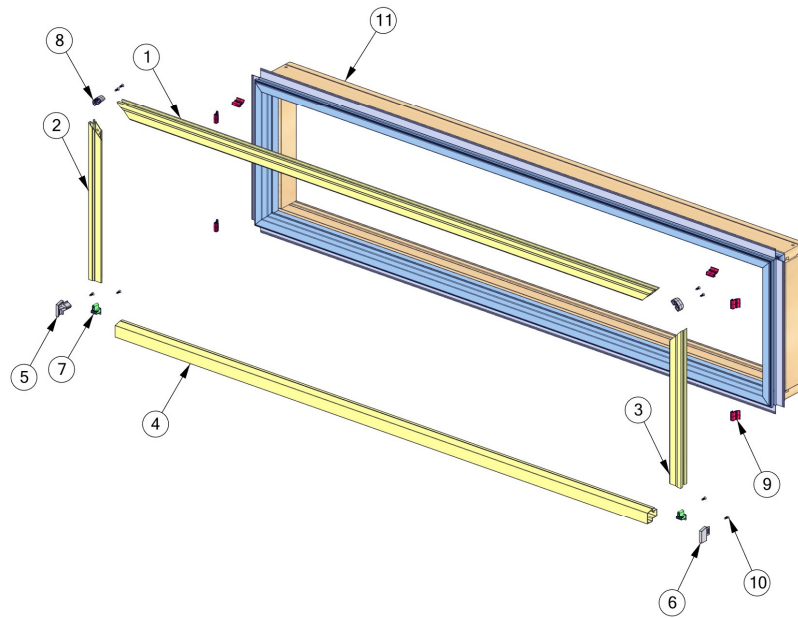
Stucco Brickmould with Sill Nose Flush



PART	DESCRIPTION	PART NUMBER
1	STUCCO BRICKMOULD - HEADER	EX7853XX
2	STUCCO BRICKMOULD - LEG - LEFT	EX7853XX
3	STUCCO BRICKMOULD - LEG - RIGHT	EX7853XX
4	SILL NOSE	EX7819XX
5	END CAP - SILL NOSE - LEFT	IM8030XX
6	END CAP - SILL NOSE - RIGHT	IM8031XX
7	SECONDARY SILL KEY	IM8025XX
8	CORNER KEY	IM8029MI
9	TRIM CLIP	IM8028MI
10	#8-5/8" FLAT HEAD SS SCREW	FA0442SS
11	(TRANSOM FRAME)	VARIES

Nail Fin Stucco Brickmould Parts (Continued)

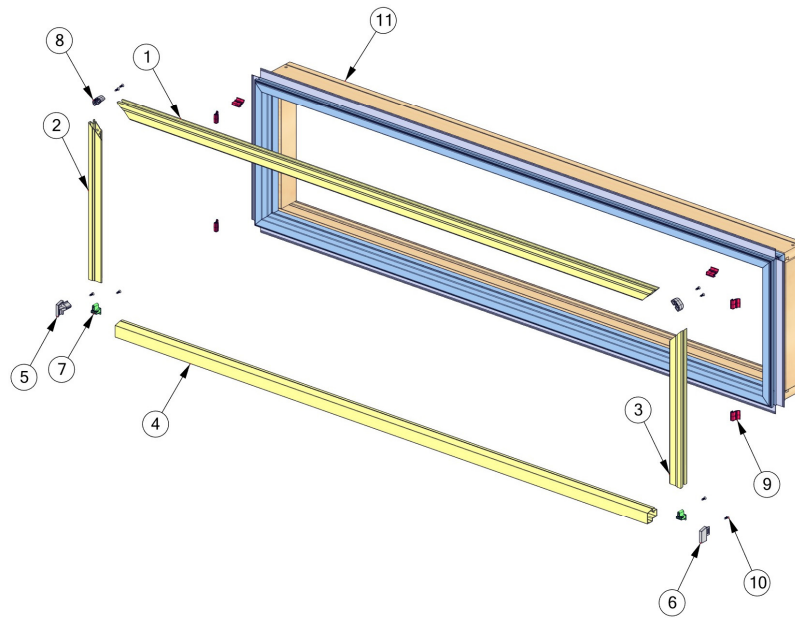
Stucco Brickmould with Sill Nose Horn



PART	DESCRIPTION	PART NUMBER
1	STUCCO BRICKMOULD - HEADER	EX7853XX
2	STUCCO BRICKMOULD - LEG - LEFT	EX7853XX
3	STUCCO BRICKMOULD - LEG - RIGHT	EX7853XX
4	SILL NOSE	EX7819XX
5	END CAP - SILL NOSE - LEFT	IM8030XX
6	END CAP - SILL NOSE - RIGHT	IM8031XX
7	SECONDARY SILL KEY	IM8025XX
8	CORNER KEY	IM8029MI
9	TRIM CLIP	IM8028MI
10	#8-5/8" FLAT HEAD SS SCREW	FA0442SS
11	(TRANSOM FRAME)	VARIES

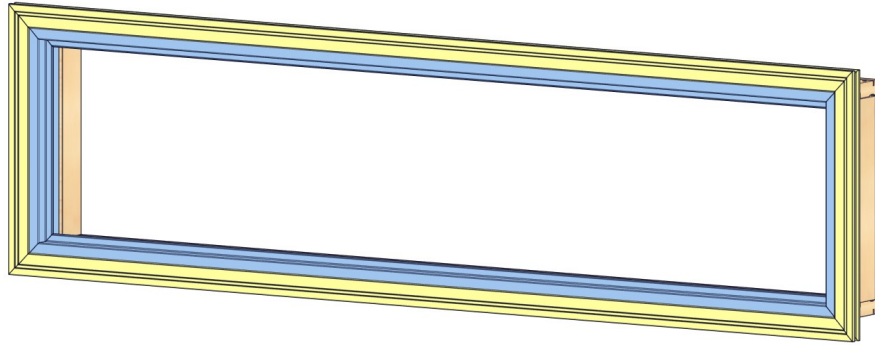
Nail Fin Stucco Brickmould Parts (Continued)

Stucco Brickmould with Sill Nose Variable Horn

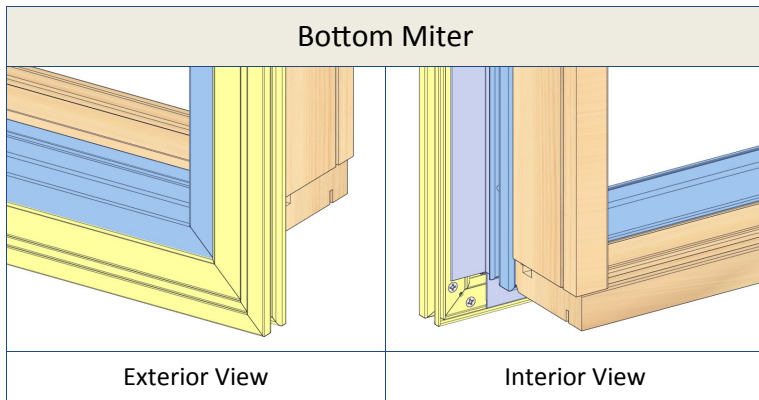
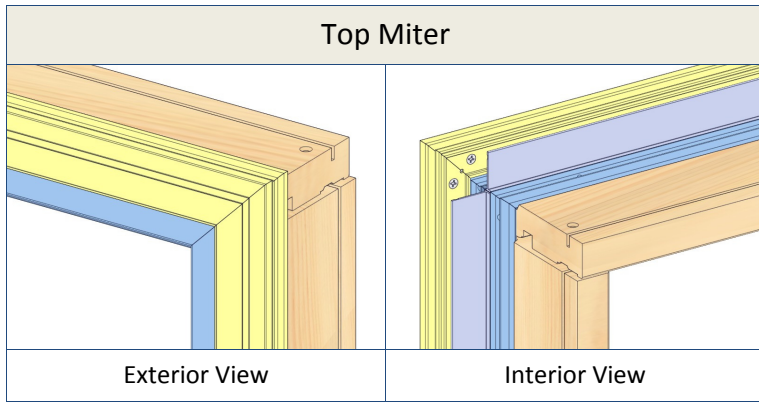


PART	DESCRIPTION	PART NUMBER
1	STUCCO BRICKMOULD - HEADER	EX7853XX
2	STUCCO BRICKMOULD - LEG - LEFT	EX7853XX
3	STUCCO BRICKMOULD - LEG - RIGHT	EX7853XX
4	SILL NOSE	EX7819XX
5	END CAP - SILL NOSE - LEFT	IM8030XX
6	END CAP - SILL NOSE - RIGHT	IM8031XX
7	SECONDARY SILL KEY	IM8025XX
8	CORNER KEY	IM8029MI
9	TRIM CLIP	IM8028MI
10	#8-5/8" FLAT HEAD SS SCREW	FA0442SS
11	(TRANSOM FRAME)	VARIES

Nail Fin Stucco Brickmould Corners

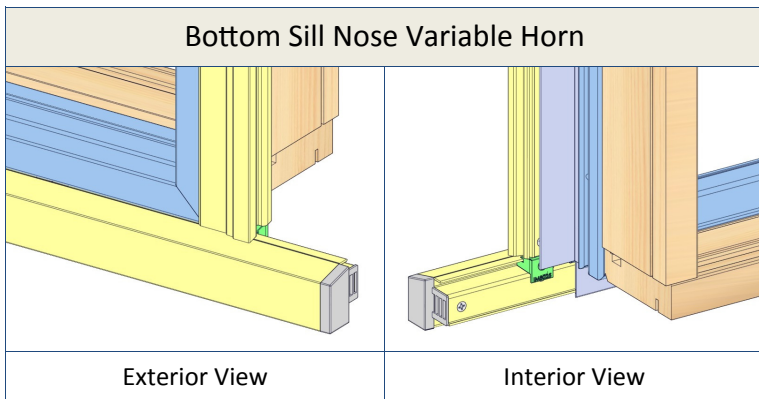
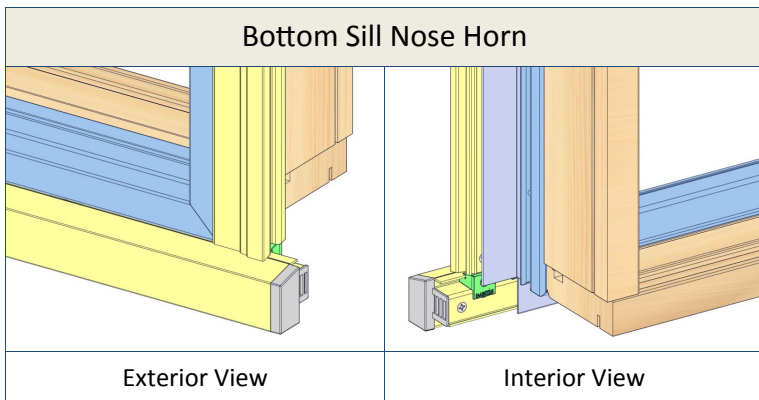
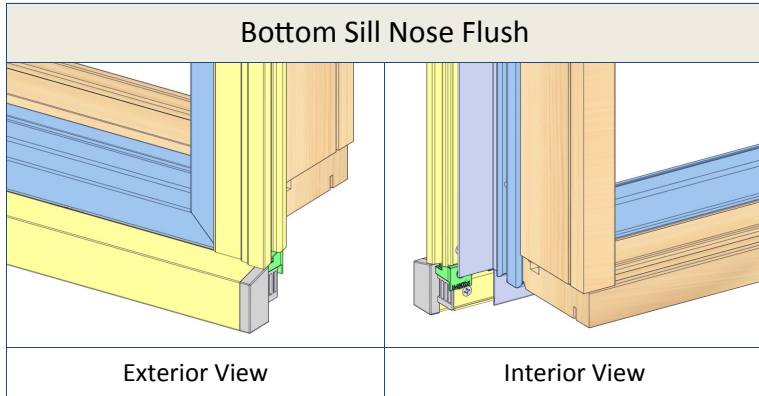


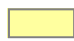
Stucco Brickmould All Sides shown



- Stucco Brickmould shown in yellow
- Transom Frame shown in blue

Nail Fin Stucco Brickmould Corners (Continued)



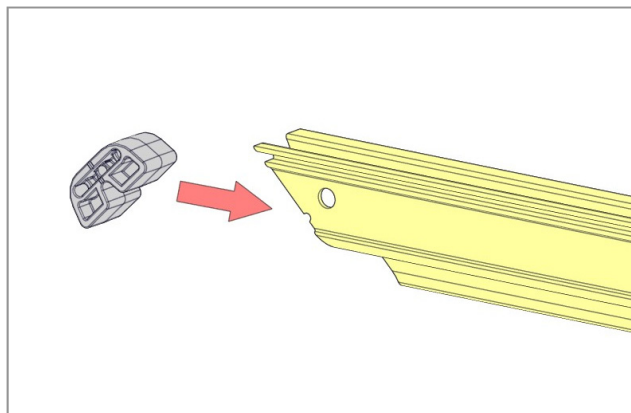
 Stucco Brickmould shown in yellow

 Transom Frame shown in blue

Corner Key Assembly

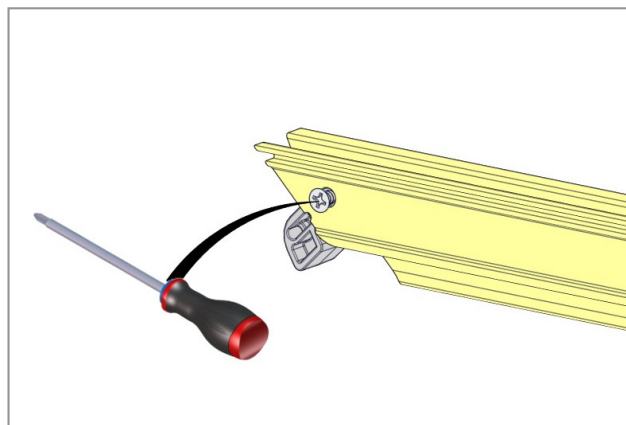
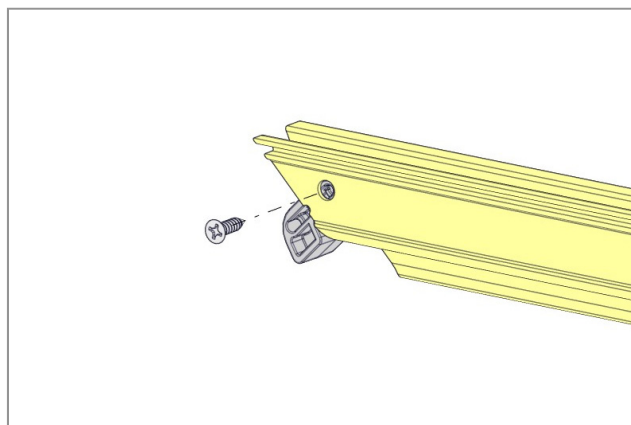
Skip to Step 12 if installing Factory Assembled Stucco Brickmould

1 Determine Header, Sill, and Leg Trim Pieces.



Insert Corner Keys into Stucco Brickmould miter ends.

2 Start #8 x 5/8" Flat Head Screw into one hole. Tighten screw halfway.

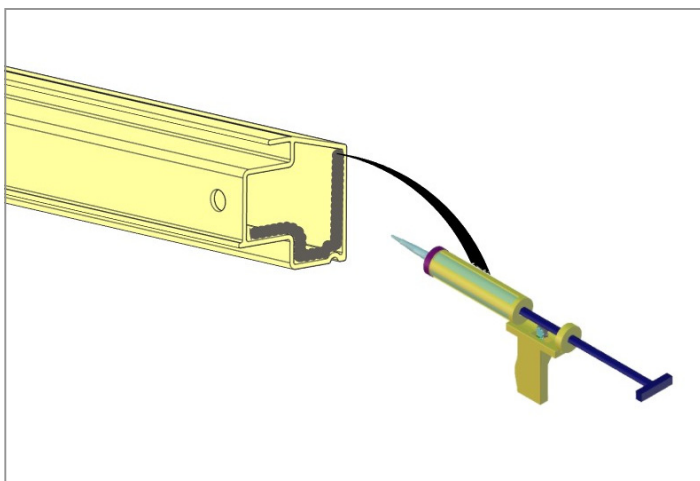


Repeat for all Corner Keys.

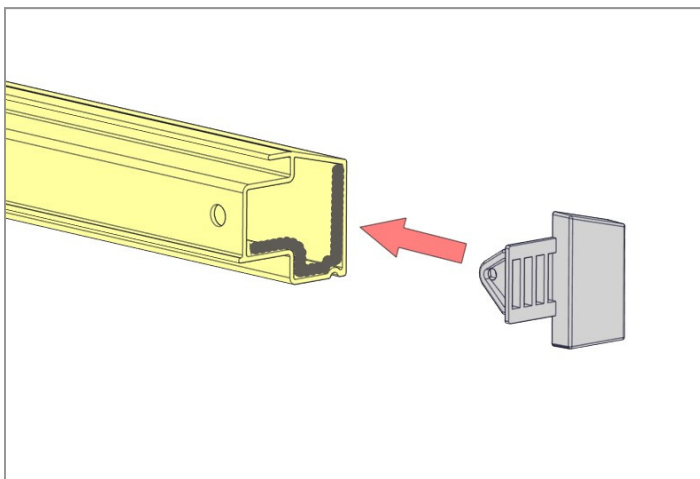
End Cap Assembly

Skip to Step 7 for Stucco Brickmould All Sides

3 Inject Sealant in Sill Nose on both ends.

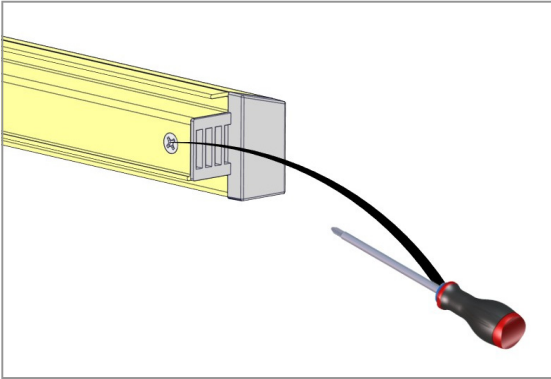


4 Seat End Caps into Sill Nose.



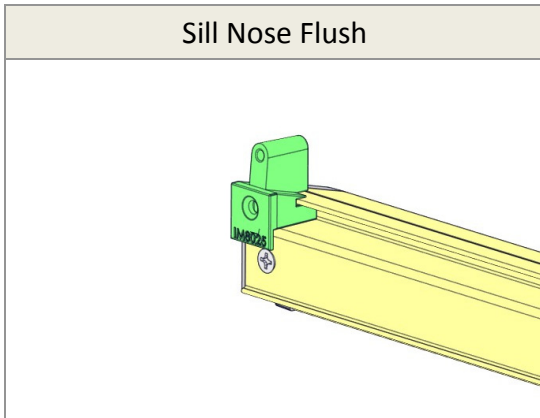
End Cap Assembly (Continued)

- 5** Install #8 x 5/8" Flat Head Screw through Sill into End Cap.

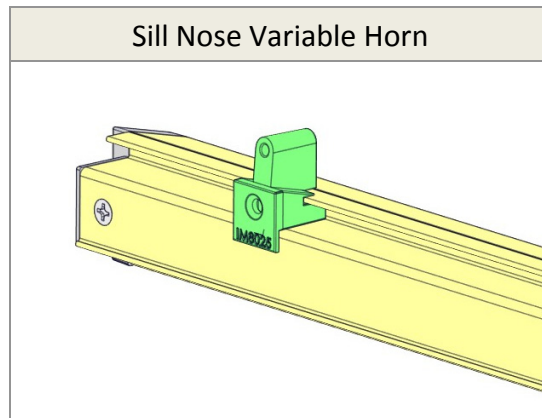


- 6** Insert Secondary Sill Keys both ends.

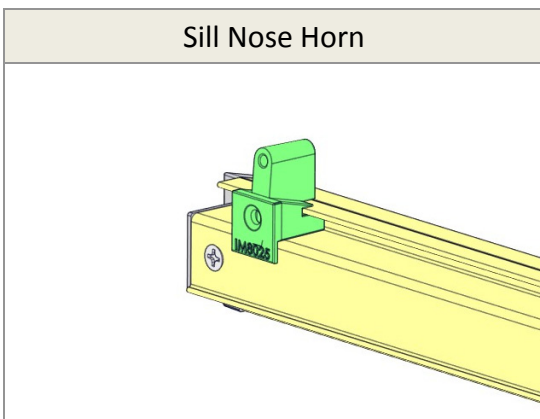
Sill Nose Flush



Sill Nose Variable Horn



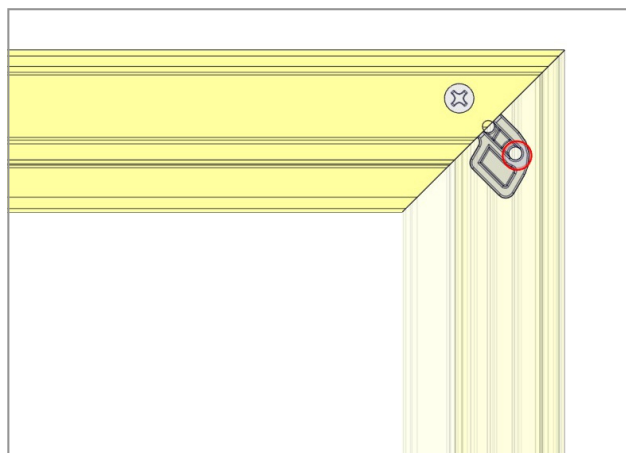
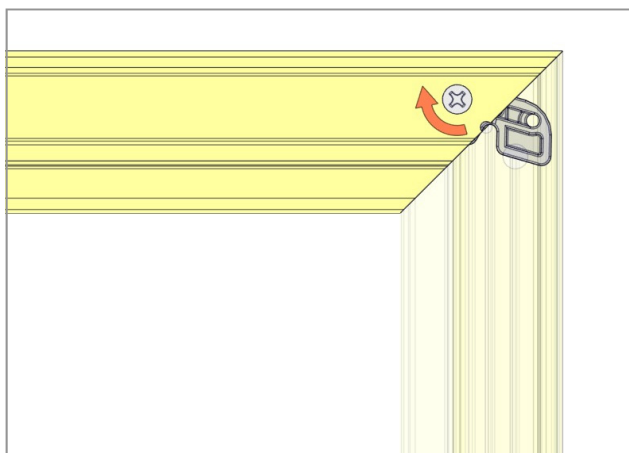
Sill Nose Horn



Install Screws

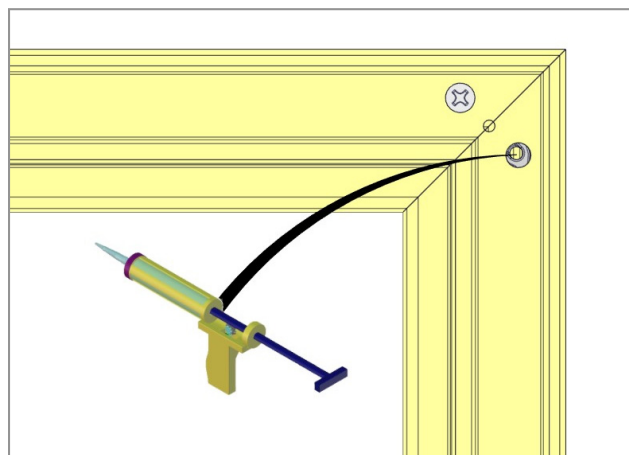
7

Locate all Screw Holes. With screw halfway tightened, rotate screw head until second Corner Key Screw Hole appears.



8

Inject sealant into Corner Keys (half a squeeze per Corner Key).

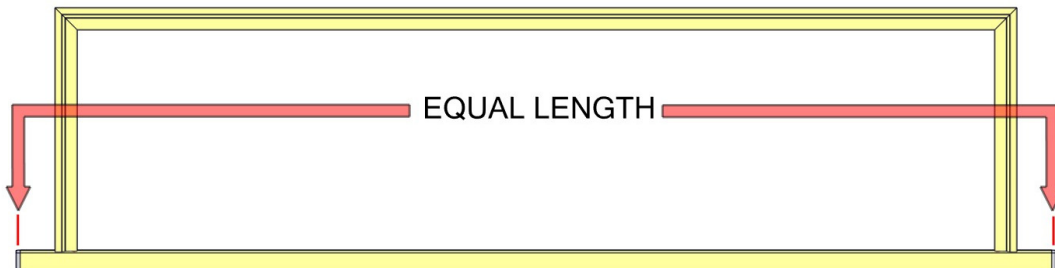


Install Screws (Continued)

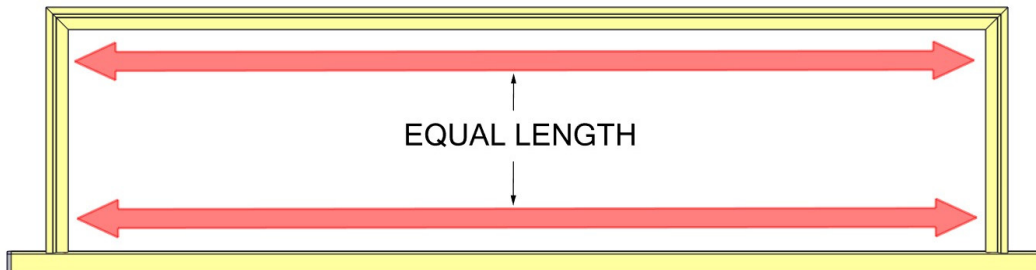
For Sill Nose Horn and Variable Horn only

9

Measure Sill Horn lengths. Adjust length until equal. Measure top and bottom of Trim Assembly to check equal lengths.



Make sure Sill Horns are the same length.



Measure top and bottom of trim assembly to verify equal lengths.

Install Screws (Continued)

10 Install #8 x 5/8" Flat Head Screws.

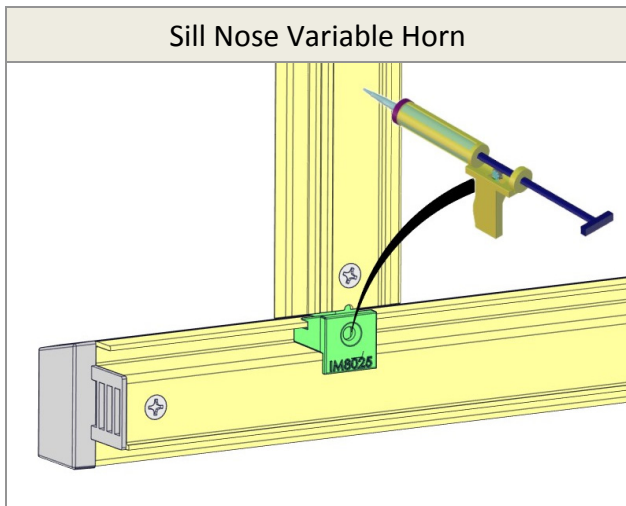
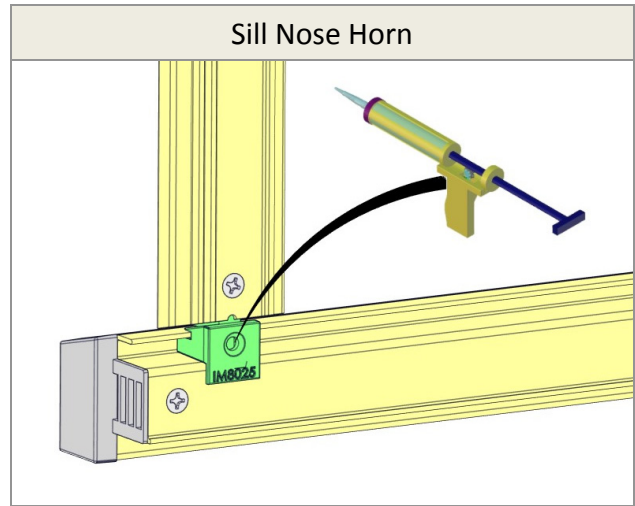
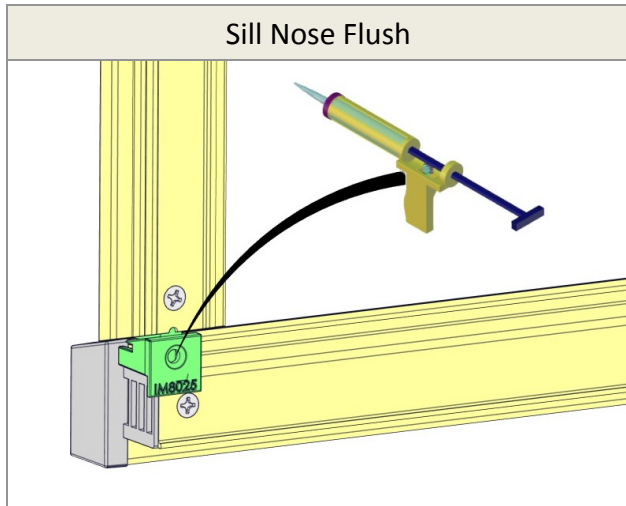
	Miter Corners
	<p>Start screw into second hole and tighten until head is flush with Stucco Brickmould. Finish tightening first Screw.</p>

	Sill Nose Flush
	<p>Tighten screw until flush with Stucco Brickmould.</p>

	Sill Nose Horn and Sill Nose Variable Horn
	<p>Make sure Sill Horns are the same length. Measure top and bottom of Trim Assembly. Measurements must be equal. (See Step 9)</p>

Inject Sealant

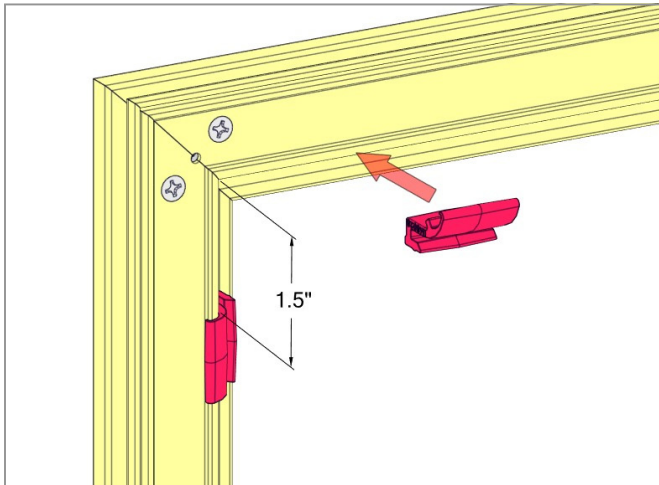
11 Inject sealant into Secondary Sill Keys.



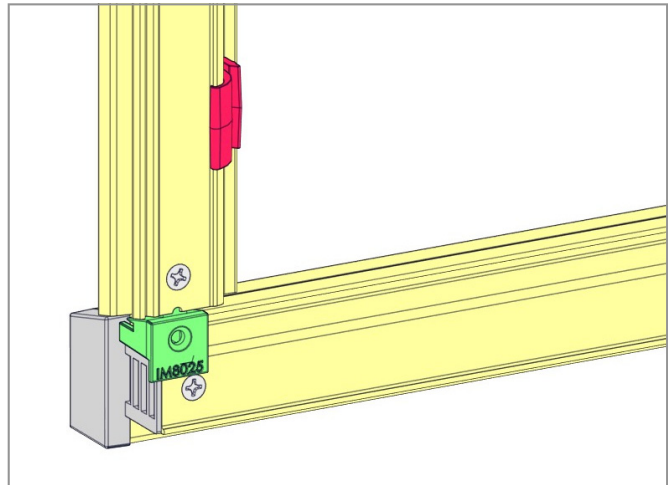
Trim Clip Attachment

12

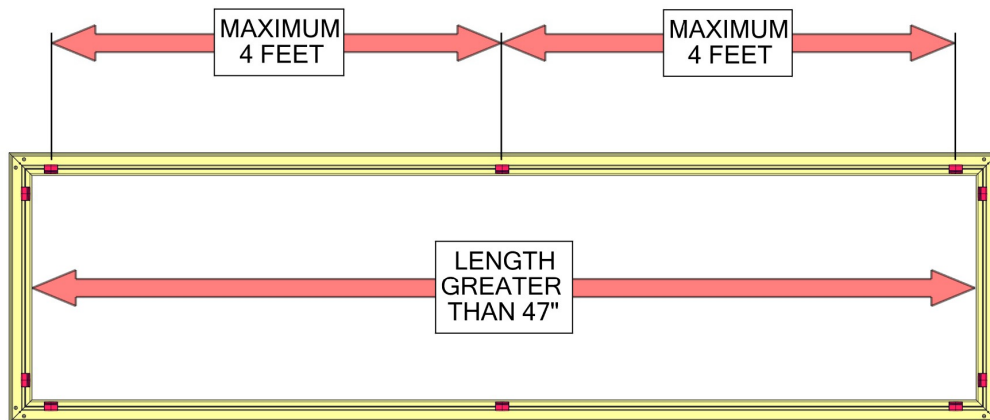
Install Trim Clips onto Stucco Brickmould Trim.



Space Trim Clip 1.5" away from corner. Tap two Trim Clips into each corner.



If installing Stucco Brickmould with Sill Nose, do not place Trim Clips on Sill Nose.



If length of Transom Jamb or Header is **47" or longer**, tap an additional Trim Clip in middle of side.

If necessary, install additional Trim Clips no more than 4' on center.

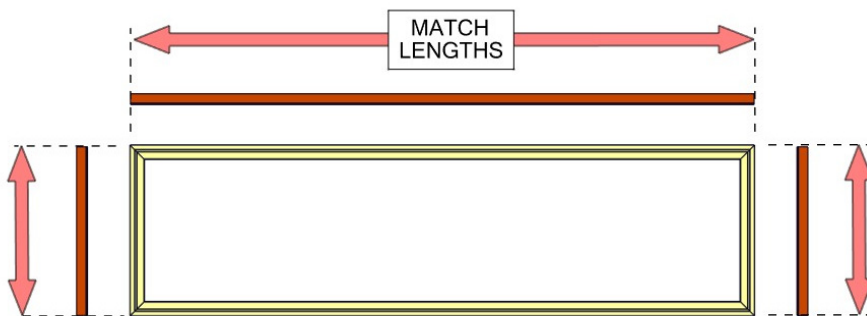
Flashing Flange Option

**Warning! Flashing Flange will not hold or secure Transom in Rough Opening.
Do not puncture Flashing Flange.**

Skip to Step 16 if not installing optional Flashing Flange.

13

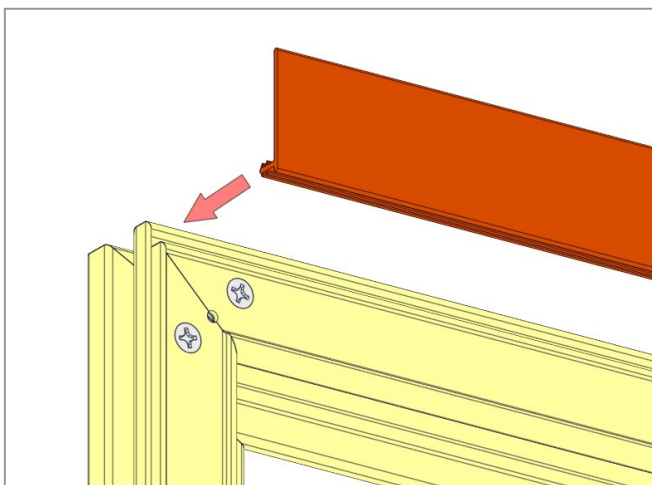
Determine which Flashing Flange fits Stucco Brickmould Trim piece.



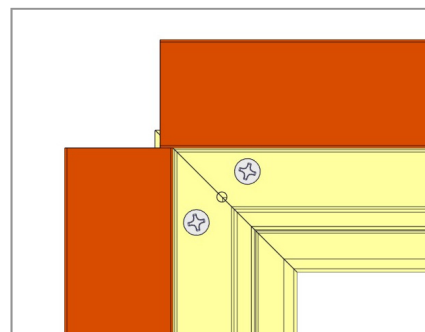
Length of Flashing Flange is close to the length of Stucco Brickmould.

14

Press Flashing Flange into Stucco Brickmould Groove.



Do not install Flashing Flange along Sill or bottom of transom.

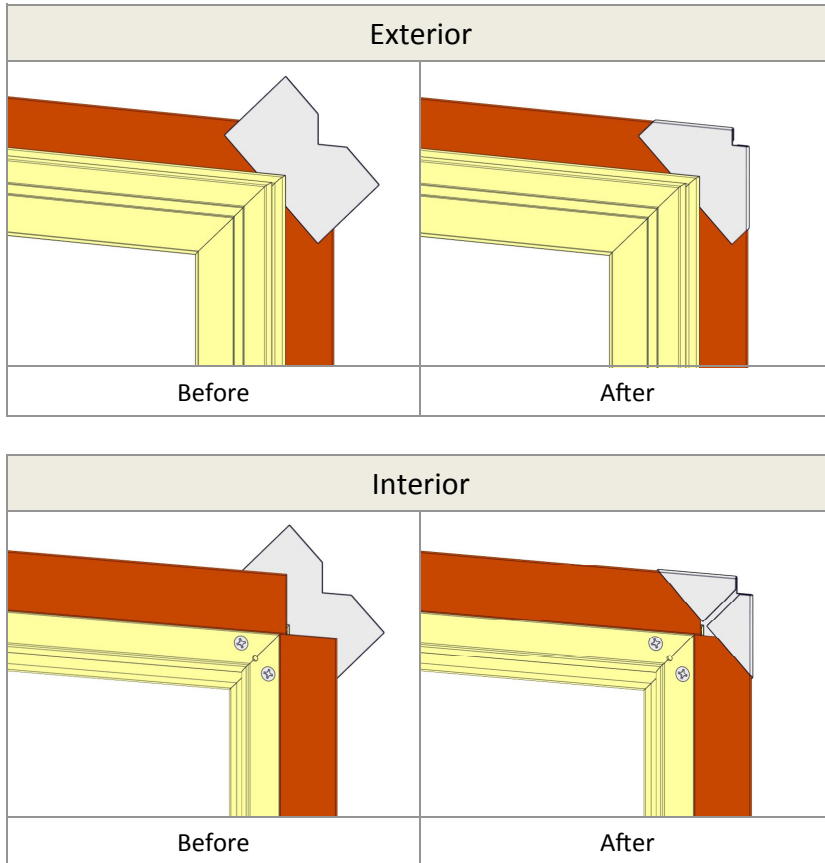


Insert Header Flashing Flange first. Insert Leg Flashing Flange flush with Header Flashing Flange.

Flashing Flange Option (Continued)

15

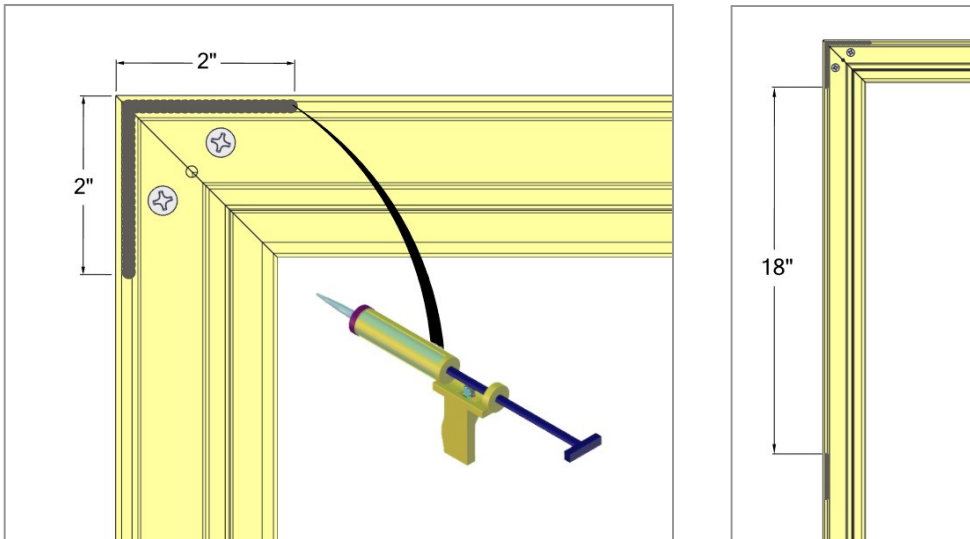
Fold Corner Gaskets around corners.



Trim Installation

16

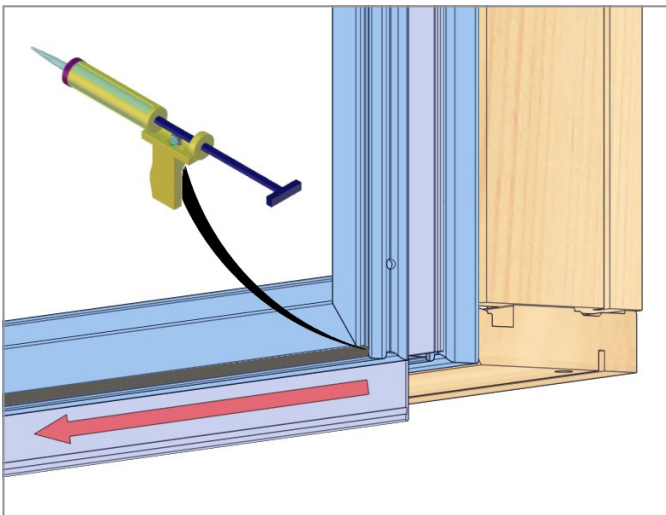
Apply 1/4" diameter 2" long beads of sealant to back of Stucco Brickmould. Space beads 18" apart.



17

Place clear or color matched sealant into accessory groove along full length of sill.

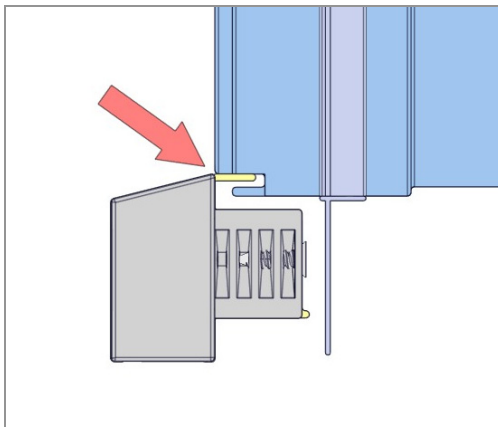
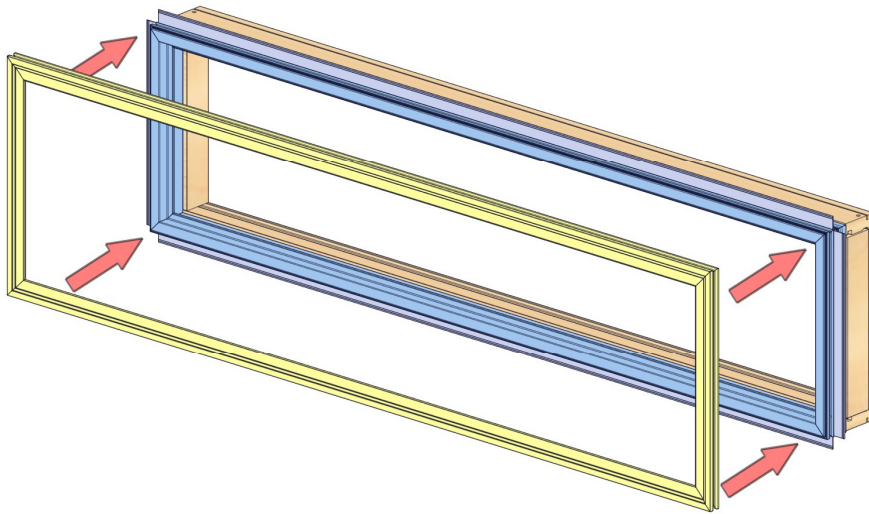
Do this step for Sill Nose only



Trim Installation (Continued)

18 Push Stucco Brickmould onto Transom Frame until it seats Fully

Place wood block directly on Stucco Brickmould in Trim Clip area. Tap wood block to fully seat Stucco Brickmould against transom frame.



When installing Stucco Brickmould with Sill Nose, slide Sill Nose Lip into Window Frame Accessory Groove.

Clean Up

- Wipe up any excess sealant.
- Clean up scuff marks with soap and water.

TiteBond® WeatherMaster Sealant Compatible Colors		
Milgard Palette Color	Titebond® WeatherMaster™ Color Reference	Milgard Part Number
Bark	44061	SE7673AR
Black Bean	44031	SE7673BL
Bronze	45841	SE7673ZB
Cinnamon	45521	SE7673CI
Classic Brown	44211	SE7673LW
Espresso	45661	SE7673EX
Evening Sky	45531	SE7673ES
Fern	45651	SE7673FN
Fog	46681	SE7673FO
Frost	44001	SE7673FS
Harmony	44641	SE7673HR
Ivory	45511	SE7673IV
Pea Pod	49211	SE7673PP
Sand	46041	SE7673SD
Tweed	44691	SE7673TE
Twilight	44031	SE7673BL

REVISIONS					
REV	ECN	DESCRIPTION	DATE	DRAWN	APPD.
A	4019ECNEG	RELEASE	08/17/2015	NDS	VM