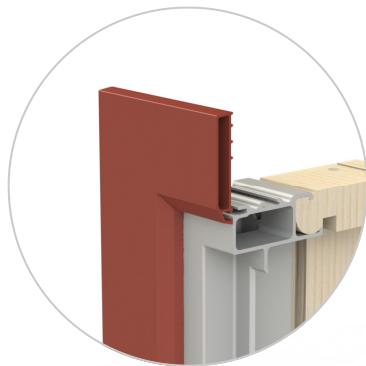




Clearly the best.®

Z-Bar Proud for an Integral Door Installation Instructions



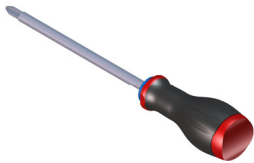
Integral Z-Bar Proud Instructions

For Milgard Essence Series® Windows and Doors

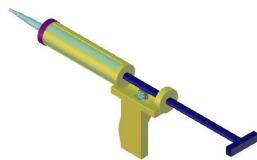
- Read all instructions before installation.
- Milgard Z-Bar Proud is part of the Door Assembly.
- Do not attempt to remove the Z-Bar from the replacement Door. It is factory sealed to prevent water intrusion.
- Use exterior grade high quality sealants. For compatible TiteBond® Sealant colors refer to page 21.

Required Tools

Screwdriver with #2 Phillips bit

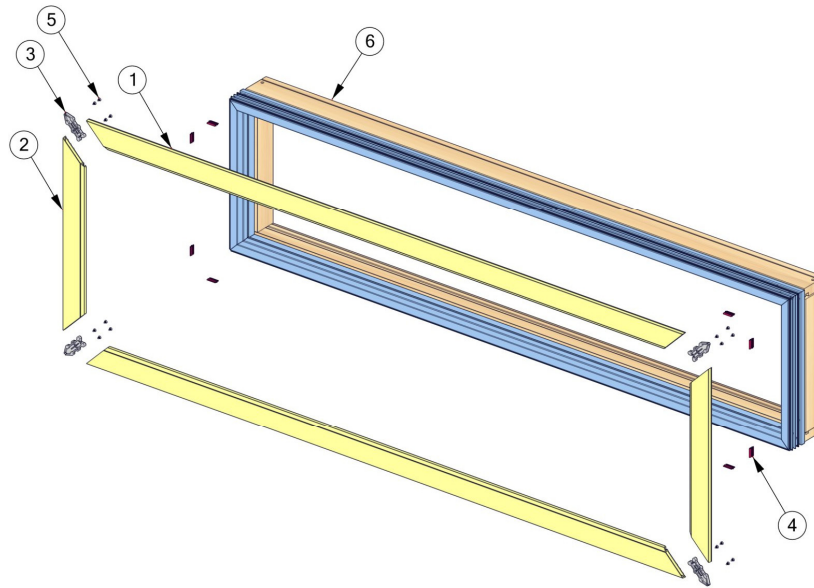


Caulking Gun



Integral Z-Bar Proud Parts

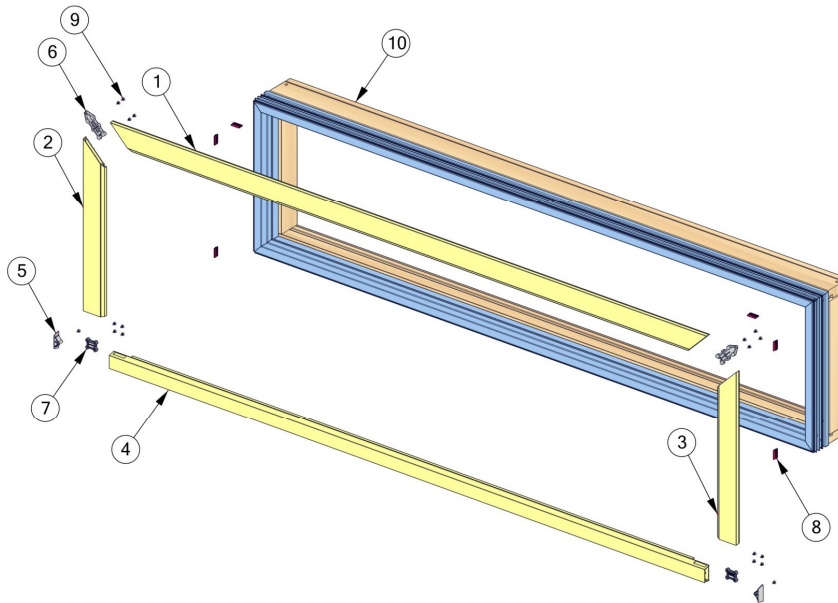
Z-Bar Proud All Sides (Separate Transom)



PART	DESCRIPTION	PART NUMBER
1	Z-BAR PROUD - HEADER/SILL	EX7854XX
2	Z-BAR PROUD - LEG	EX7854XX
3	CORNER KEY - 90 DEGREE MITER	IM8033MI
4	TRIM CLIP	HA8301CPML
5	#8-3/8" FLAT HEAD SS SCREW	FA0448SS
6	(TRANSOM FRAME)	VARIABLES

Integral Z-Bar Proud Parts (Continued)

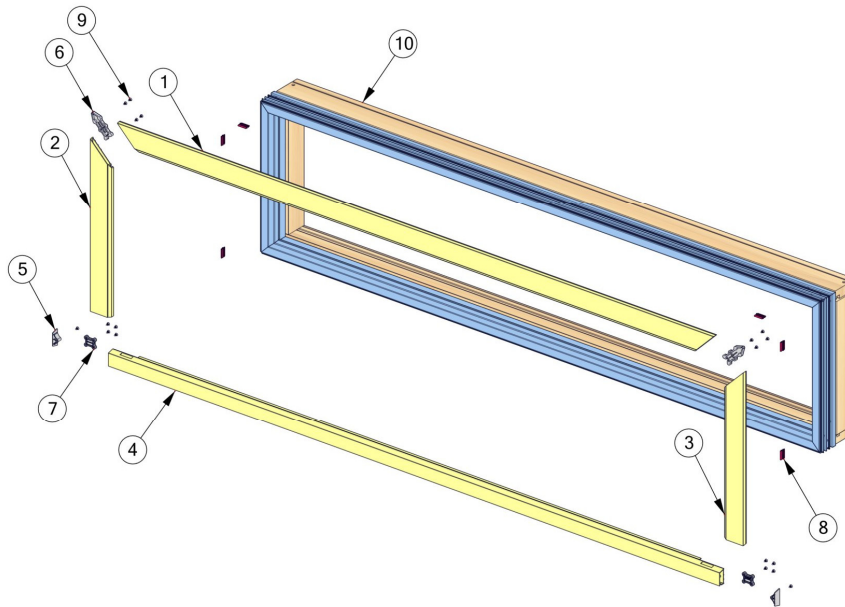
Z-Bar Proud with Sill Nose Flush (Separate Transom)



PART	DESCRIPTION	PART NUMBER
1	Z-BAR PROUD - HEADER/SILL	EX7854XX
2	Z-BAR PROUD - LEG - LEFT	EX7854XX
3	Z-BAR PROUD - LEG - RIGHT	EX7854XX
4	SILL NOSE	EX7855XX
5	SILL NOSE END CAP	IM8034XX
6	CORNER KEY - 90 DEGREE MITER	IM8033MI
7	CORNER KEY - VARIABLE	IM8032MI
8	TRIM CLIP	HA8301CPML
9	#8-3/8" FLAT HEAD SS SCREW	FA0448SS
10	(TRANSOM FRAME)	VARIES

Integral Z-Bar Proud Parts (Continued)

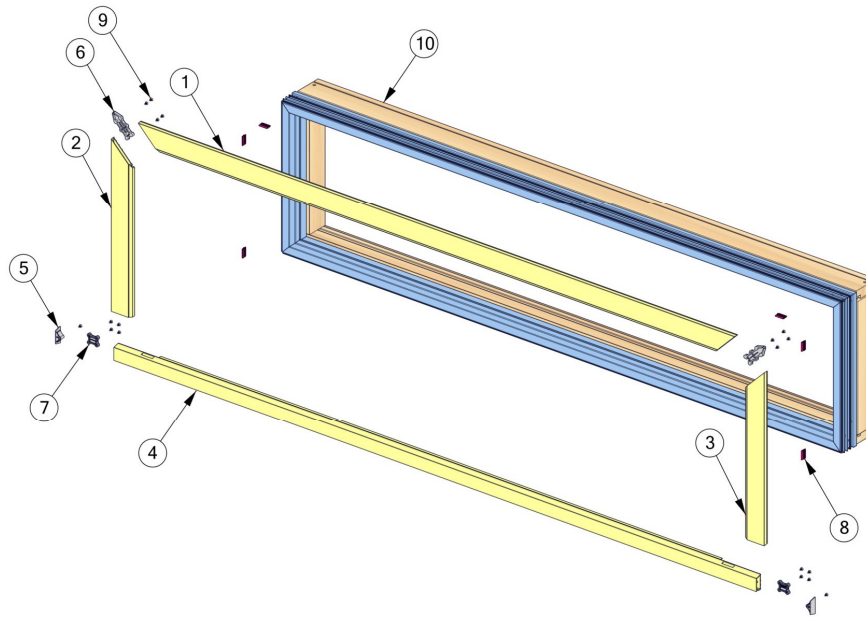
Z-Bar Proud with Sill Nose Horn (Separate Transom)



PART	DESCRIPTION	PART NUMBER
1	Z-BAR PROUD - HEADER/SILL	EX7854XX
2	Z-BAR PROUD - LEG - LEFT	EX7854XX
3	Z-BAR PROUD - LEG - RIGHT	EX7854XX
4	SILL NOSE	EX7855XX
5	SILL NOSE END CAP	IM8034XX
6	CORNER KEY - 90 DEGREE MITER	IM8033MI
7	CORNER KEY - VARIABLE	IM8032MI
8	TRIM CLIP	HA8301CPML
9	#8-3/8" FLAT HEAD SS SCREW	FA0448SS
10	(TRANSOM FRAME)	VARIES

Integral Z-Bar Proud Parts (Continued)

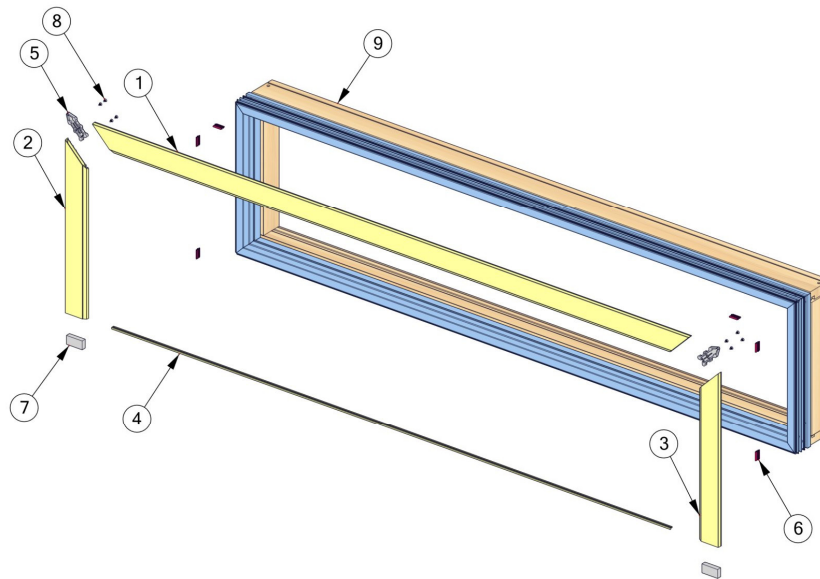
Z-Bar Proud with Sill Nose Variable Horn (Separate Transom)



PART	DESCRIPTION	PART NUMBER
1	Z-BAR PROUD - HEADER/SILL	EX7854XX
2	Z-BAR PROUD - LEG - LEFT	EX7854XX
3	Z-BAR PROUD - LEG - RIGHT	EX7854XX
4	SILL NOSE	EX7855XX
5	SILL NOSE END CAP	IM8034XX
6	CORNER KEY - 90 DEGREE MITER	IM8033MI
7	CORNER KEY - VARIABLE	IM8032MI
8	TRIM CLIP	HA8301CPML
9	#8-3/8" FLAT HEAD SS SCREW	FA0448SS
10	(TRANSOM FRAME)	VARIES

Integral Z-Bar Proud Parts (Continued)

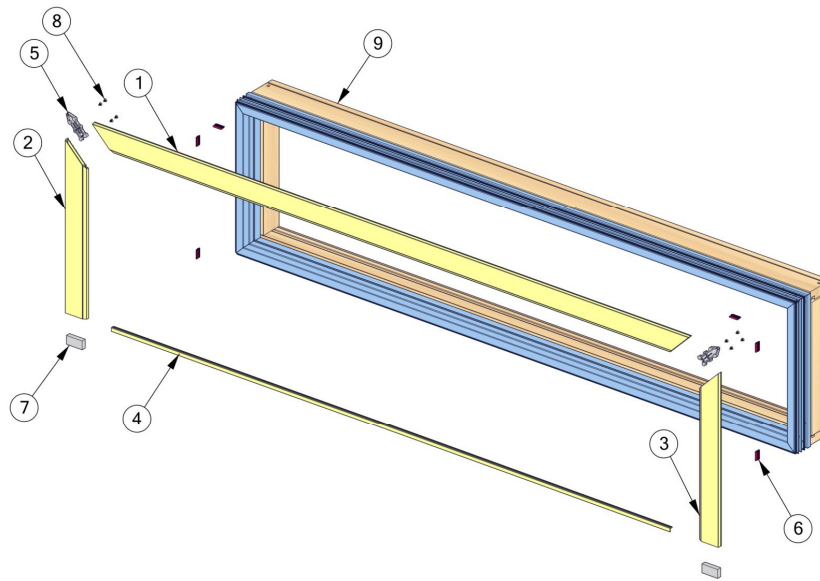
Z-Bar Proud with Groove Filler (Separate Transom)



PART	DESCRIPTION	PART NUMBER
1	Z-BAR PROUD - HEADER	EX7854XX
2	Z-BAR PROUD - LEG - LEFT	EX7854XX
3	Z-BAR PROUD - LEG - RIGHT	EX7854XX
4	GROOVE FILLER	EX7852XX
5	CORNER KEY - 90 DEGREE MITER	IM8033MI
6	TRIM CLIP	HA8301CPML
7	FOAM PLUG	MI7550WH
8	#8-3/8" FLAT HEAD SS SCREW	FA0448SS
9	(TRANSOM FRAME)	VARIABLES

Integral Z-Bar Proud Parts (Continued)

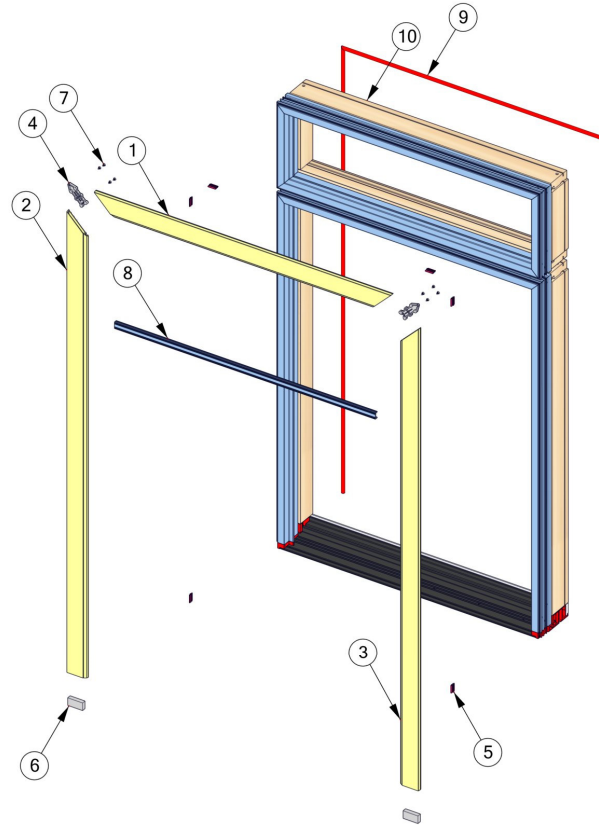
Z-Bar Proud with Stucco Key (Separate Transom)



PART	DESCRIPTION	PART NUMBER
1	Z-BAR PROUD - HEADER	EX7854XX
2	Z-BAR PROUD - LEG - LEFT	EX7854XX
3	Z-BAR PROUD - LEG - RIGHT	EX7854XX
4	STUCCO KEY	EX7812XX
5	CORNER KEY - 90 DEGREE MITER	IM8033MI
6	TRIM CLIP	HA8301CPML
7	FOAM PLUG	MI7550WH
8	#8-3/8" FLAT HEAD SS SCREW	FA0448SS
9	(TRANSOM FRAME)	VARIABLES

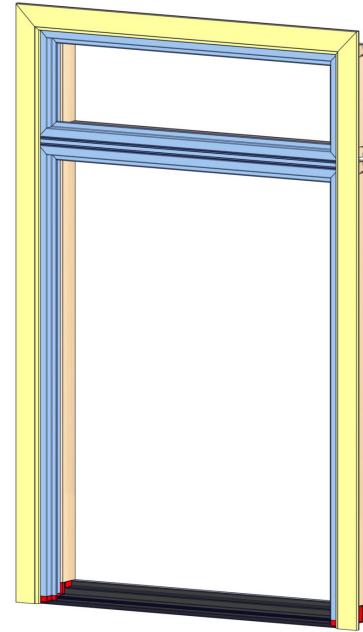
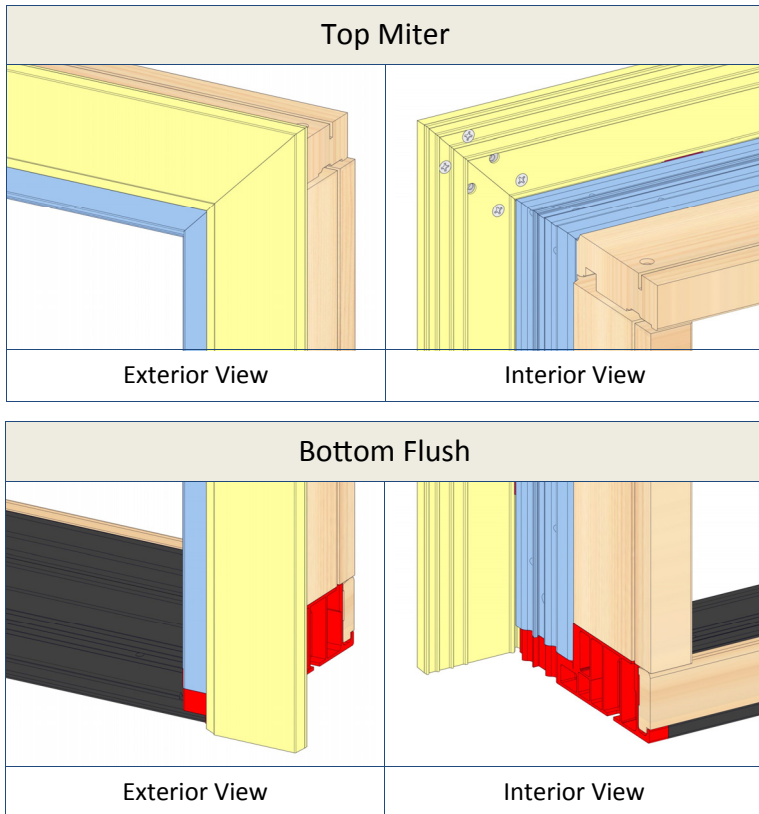
Integral Z-Bar Proud Parts (Continued)

Z-Bar Proud on Door and Transom Combination



PART	DESCRIPTION	PART NUMBER
1	Z-BAR PROUD - HEADER	EX7854XX
2	Z-BAR PROUD - LEG - LEFT	EX7854XX
3	Z-BAR PROUD - LEG - RIGHT	EX7854XX
4	CORNER KEY - 90 DEGREE MITER	IM8033MI
5	TRIM CLIP	HA8301CPML
6	FOAM PLUG	MI7550WH
7	#8-3/8" FLAT HEAD SS SCREW	FA0448SS
8	FIELD MULL COVER	EX7830XX
9	GASKET	SE7670FMGY
10	(DOOR AND TRANSOM FRAME)	VARIES

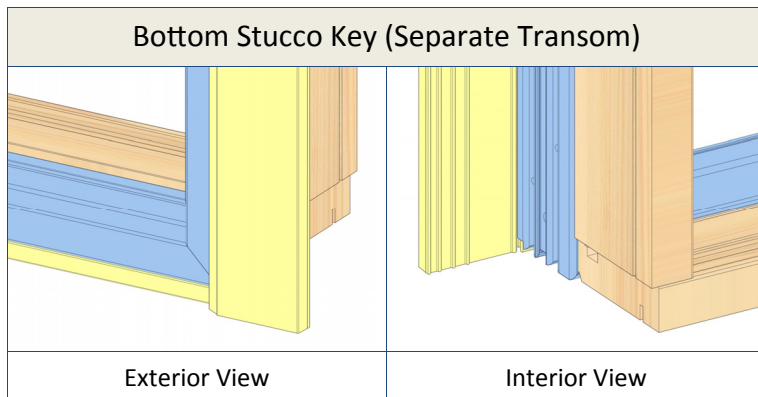
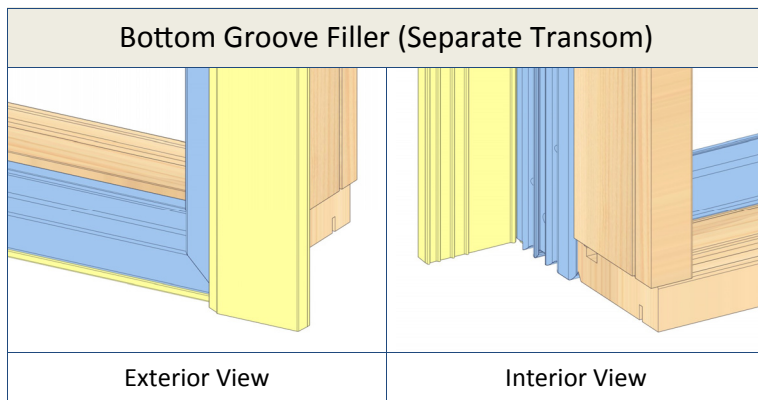
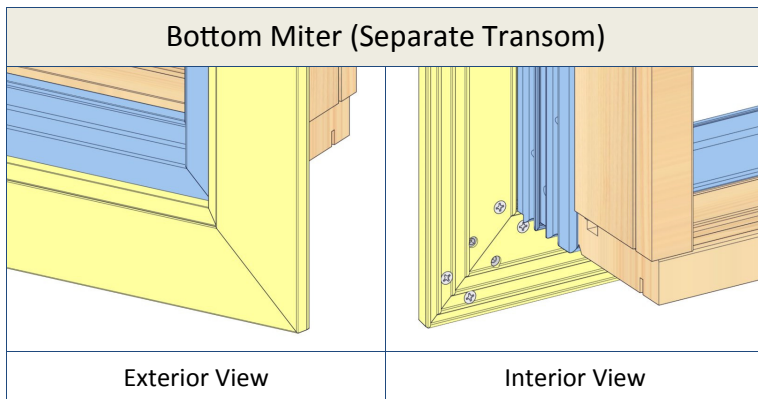
Integral Z-Bar Proud Corners



Z-Bar Proud All Sides shown

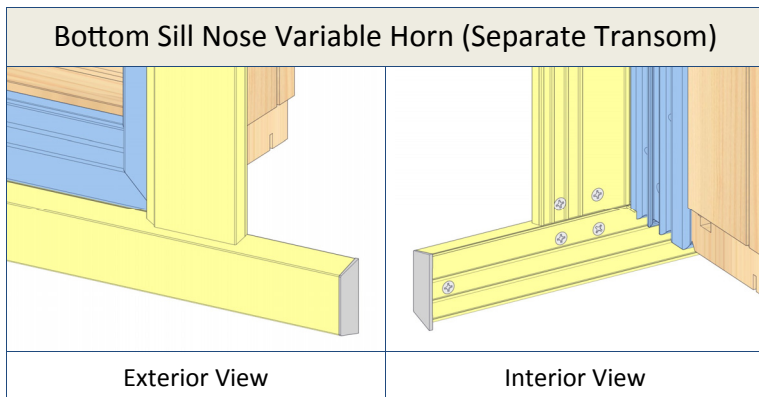
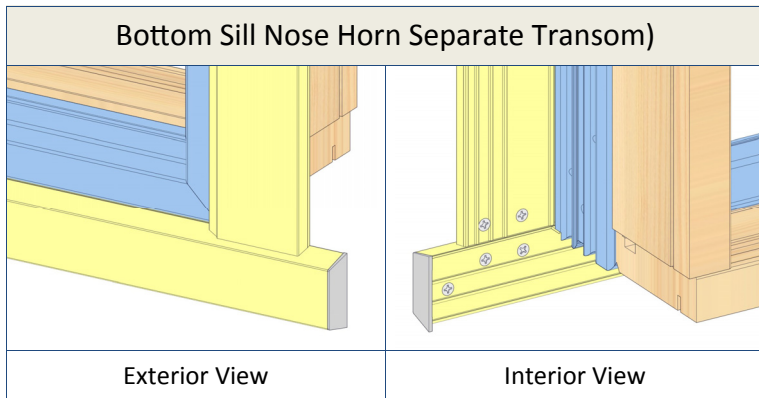
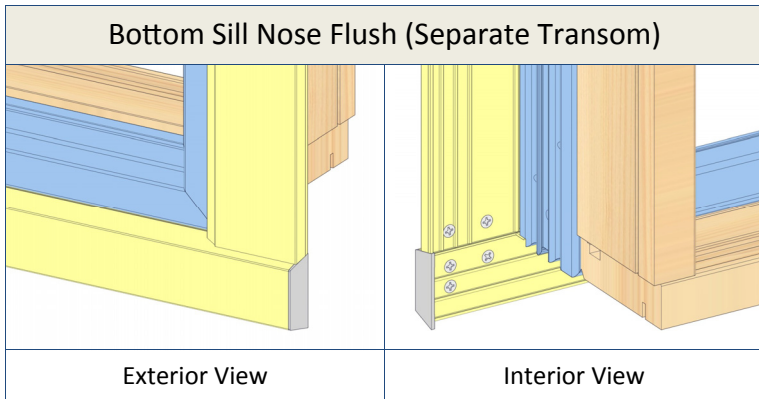
- Z-Bar Proud shown in yellow
- Door and Transom Frame shown in blue

Integral Z-Bar Proud Corners (Continued)



- Z-Bar Proud shown in yellow
- Transom Frame shown in blue

Integral Z-Bar Proud Corners (Continued)



- Z-Bar Proud shown in yellow
- Transom Frame shown in blue

Prepare Original Door

1

Fully prepare the opening.

These instructions only cover steps specific to installing Milgard Z-Bar.

For information on preparing the opening, please refer to other installation instructions.

Other installation instructions cover:

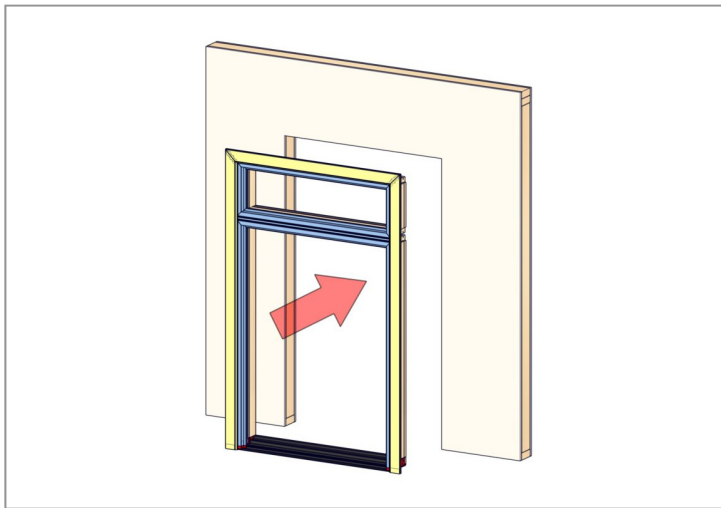
- Removing the original panels and glass.
- Removing original frame legs.
- Proper blocking and flashing of original sill
- Using shims to level sill.

Prepare Exterior Wall

2

Either measure or dry fit replacement Door within opening.

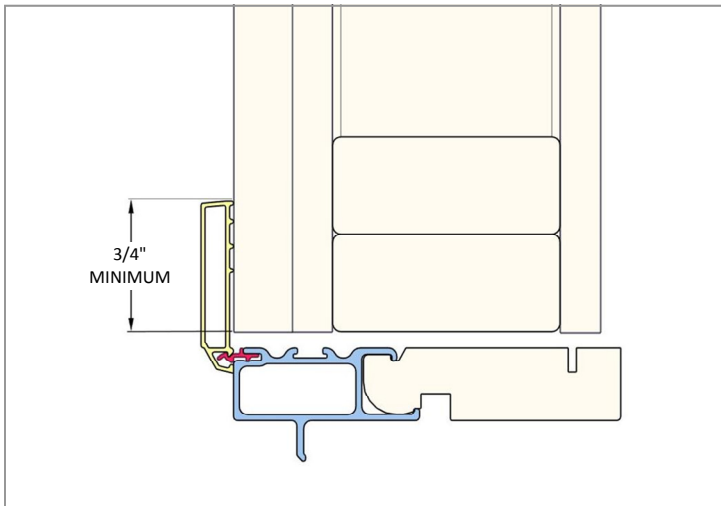
**Do not trim or scribe the Z-Bar. This Z-bar design does not allow trimming.
Trimming will void any Warranty.**



Verify Z-Bar will fully seat against exterior wall.

Remove any stucco bumps greater than 1/8" in height.

Do not attempt to remove the Z-Bar from the replacement Door. It is factory sealed to prevent water intrusion.



For best performance, make sure the Z-Bar overlaps the exterior wall at least 3/4".

Remove Original Sill Nose

Skip to Step 4 if original Transom does not include a Sill Nose.

If the Z-bar trim is on three sides only, leave the original sill in place, skip to Step 4.

3

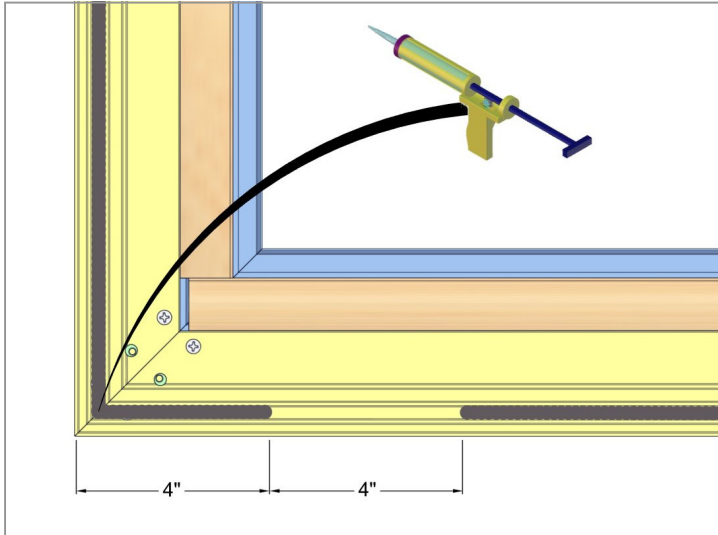
Flush original Sill Nose to same plane as exterior wall.

- Make sure original sill is flush with stucco. Full perimeter of original Transom must be flat within 1/8".
- Remove any rot and reseal original sill.

Sealing Surfaces

4

Apply sealant on back side of Z-Bar Proud.

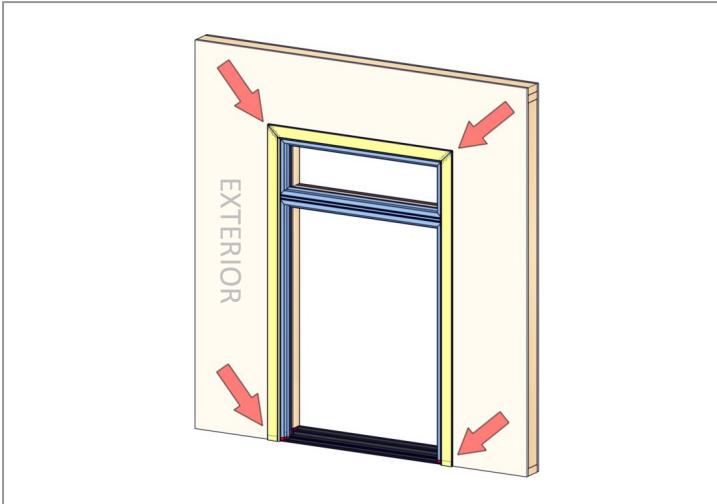


Leave 4" sealant gaps 4" from each Sill Corner.

Note: If the original Door Frame has weeps, leave sealant gaps at each weep.

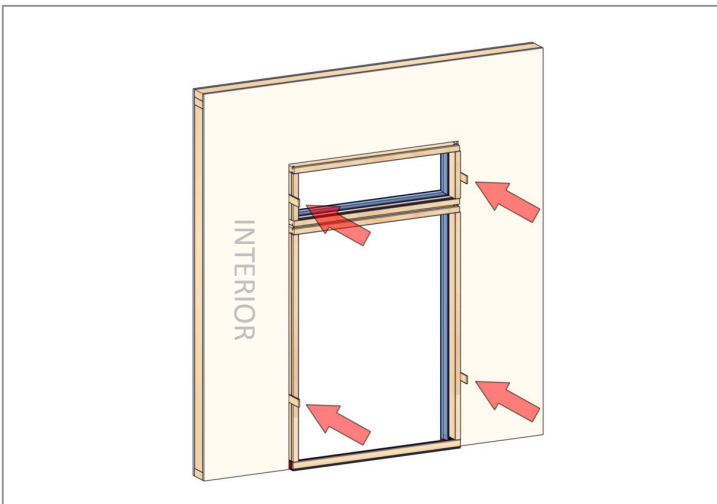
Shimming

5 Set Door into opening. Center Door between the original Jamb.



Fully Seat Door against original Door Frame.

6 Shim next to each "Through the Jamb" hole.

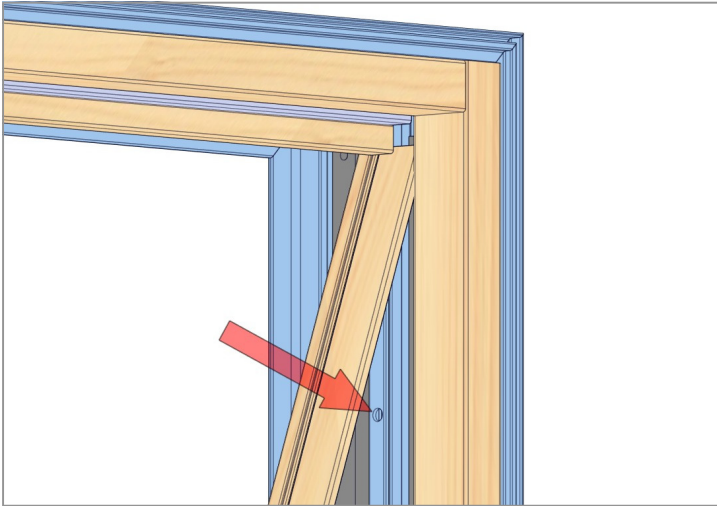


Check and correct Door for plum, square, and cross leg.

Installation Screws

7

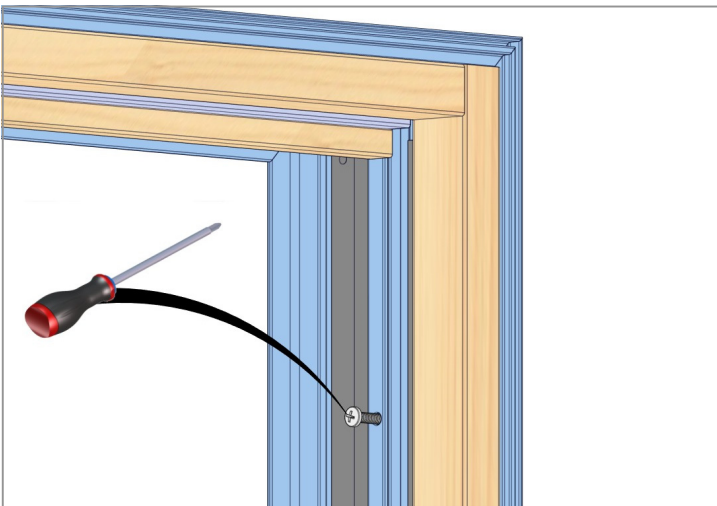
Remove indicated Jamb material to access predrilled installation holes.



Note: Some Doors may have predrilled holes through the Jamb material.

8

Install provided screws through predrilled holes. Fully seat screws.



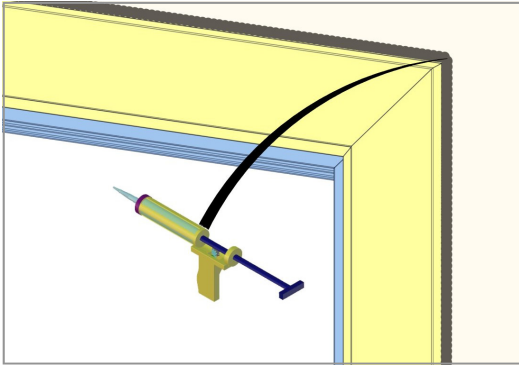
9

Replace Wood.

Exterior Sealing

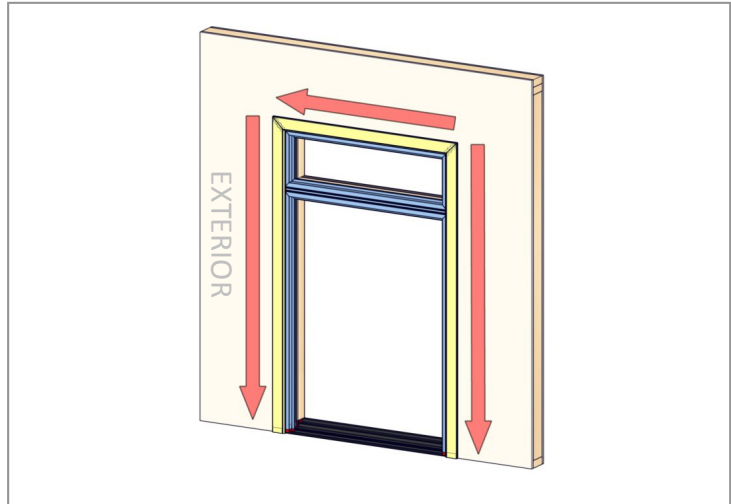
10

Run a bead of sealant where the Z-Bar edge meets the stucco.



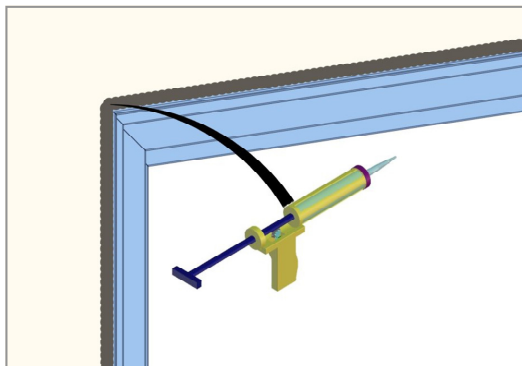
Put a bead around the full perimeter of the Door.

Note: Leave a gap of at least 2" at each original weep hole location.



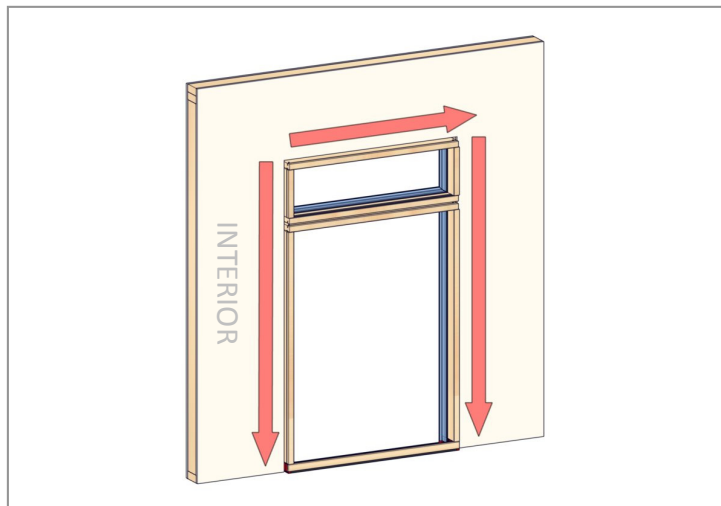
Interior Sealing

11 Seal between original and new Door Frames.



Do not seal between original frame and Jamb Extensions if present.

Apply sealant over any shims to ensure a continuous seal.



Clean Up

- Wipe up any excess sealant.
- Clean up scuff marks with soap and water.

TiteBond® WeatherMaster Sealant Compatible Colors		
Milgard Palette Color	Titebond® WeatherMaster™ Color Reference	Milgard Part Number
Bark	44061	SE7673AR
Black Bean	44031	SE7673BL
Bronze	45841	SE7673ZB
Cinnamon	45521	SE7673CI
Classic Brown	44211	SE7673LW
Espresso	45661	SE7673EX
Evening Sky	45531	SE7673ES
Fern	45651	SE7673FN
Fog	46681	SE7673FO
Frost	44001	SE7673FS
Harmony	44641	SE7673HR
Ivory	45511	SE7673IV
Pea Pod	49211	SE7673PP
Sand	46041	SE7673SD
Tweed	44691	SE7673TE
Twilight	44031	SE7673BL

REVISIONS					
REV	ECN	DESCRIPTION	DATE	DRAWN	APPD.
A	4019ECNEG	RELEASE	08/25/2015	NDS	VM