

Cross Section Drawing

TIE Aluminum Sliding Door 1 1/8" Nailfin Setback Frame



Clearly the best.™

CAD File Scale
NTS

View
Horizontal & Vertical

File Name
Aluminum_TIE_420_SGD_AP_1125in

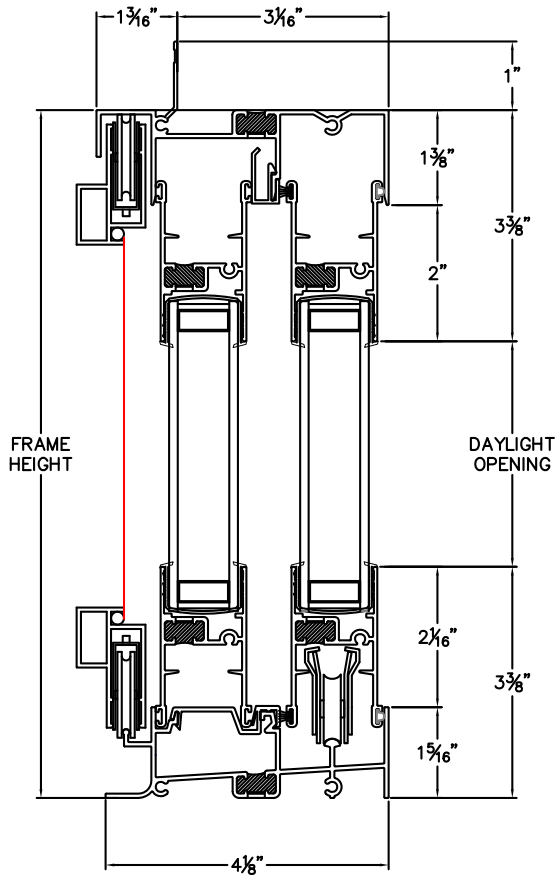
Units
Inch

More Technical Documents can be found at milgard.com/professionals

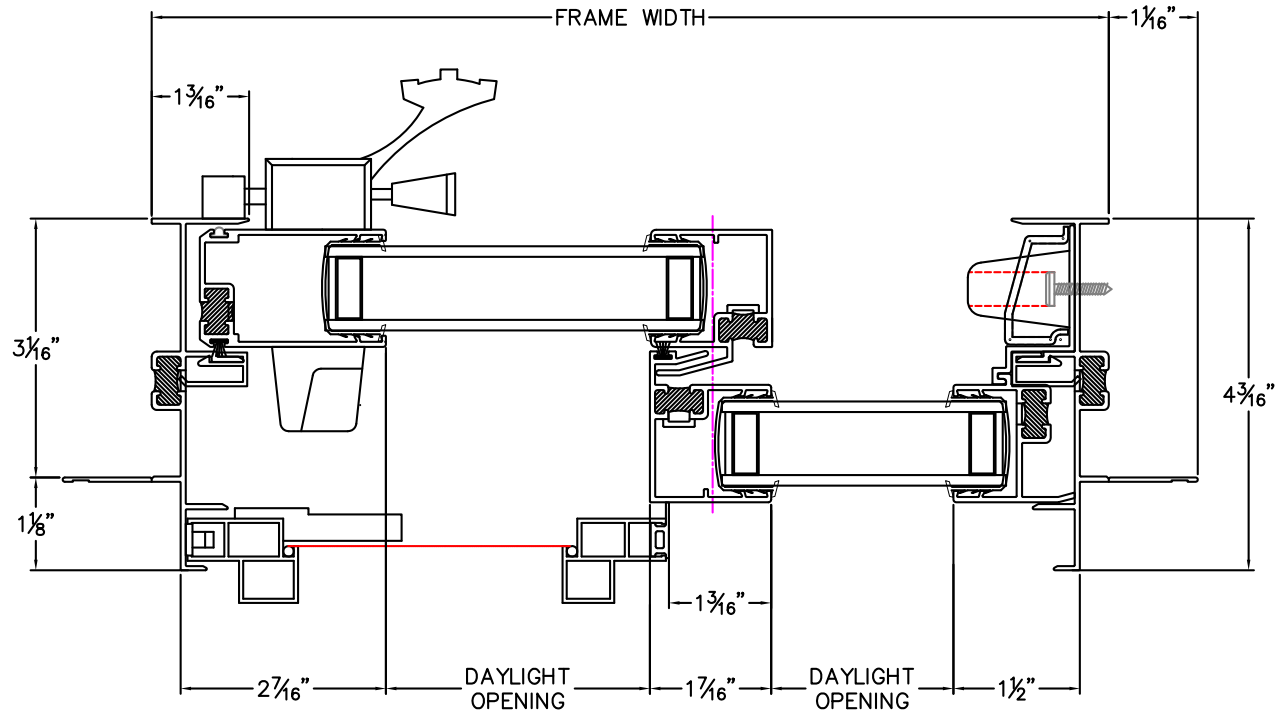
Due to continual research and development, details may be changed at any time. ©2013 Milgard Mfg.

SLIDING DOOR SERIES 420

XO CONFIGURATION SHOWN
OX CONFIGURATION ALSO AVAILABLE



HEAD & SILL



JAMBS