

CROSS SECTION DRAWING

TIE Aluminum Sliding Door - 3 Panel XOO

1 1/8" Nailfin Setback Frame

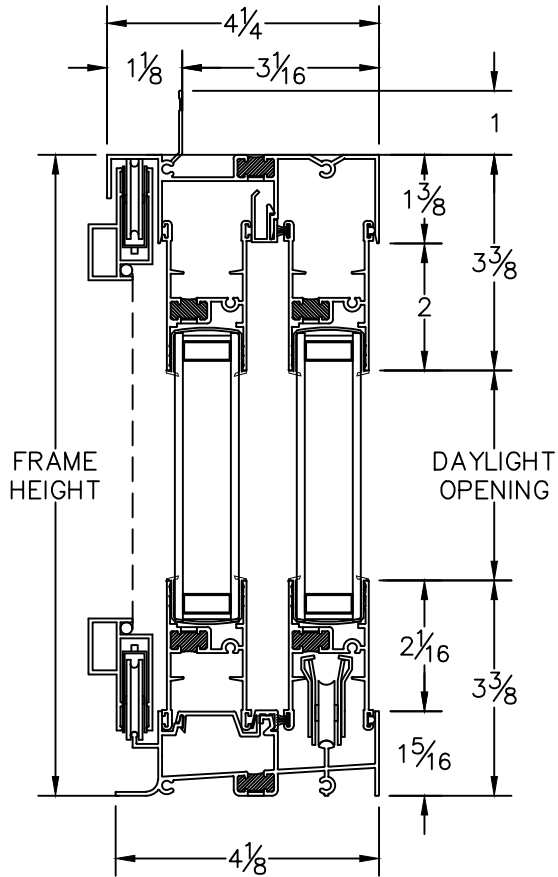
CAD FILE SCALE	VIEW	FILE NAME	UNITS	REVISION
NTS	HORIZONTAL & VERTICAL	Aluminum_TIE_420_XOO_1.125NFS	INCH	01/2017

MORE TECHNICAL DOCUMENTS CAN BE FOUND AT MILGARD.COM/PROFESSIONALS

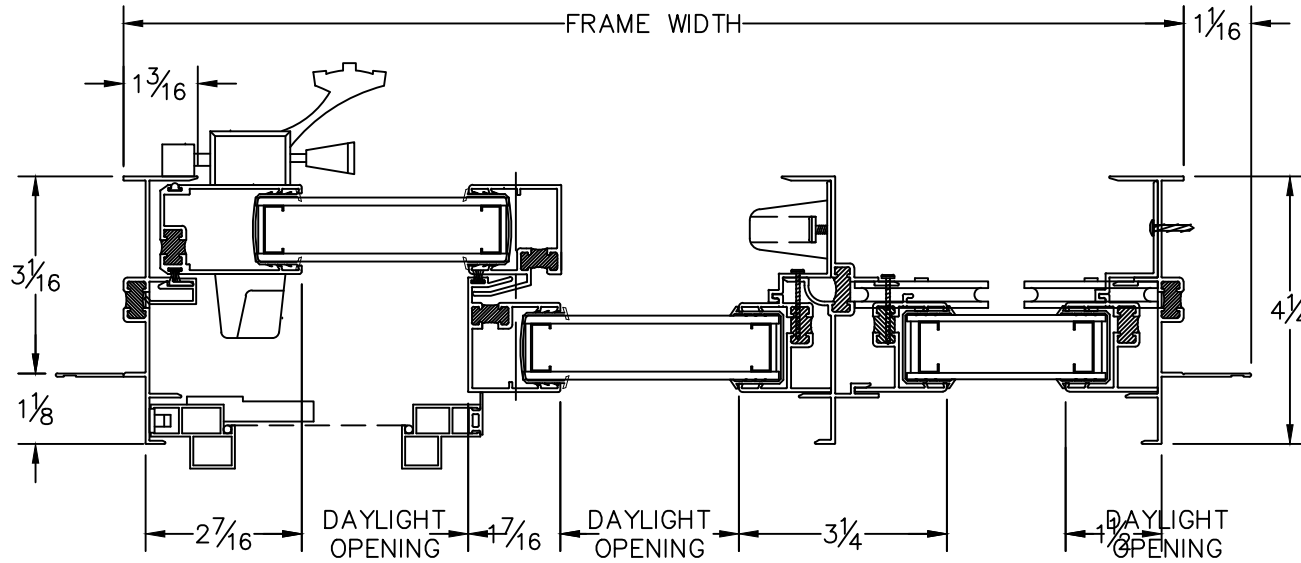
DUE TO CONTINUAL RESEARCH AND DEVELOPMENT, DETAILS MAY BE CHANGED AT ANY TIME. © 2016 MILGARD MFG.

SLIDING DOOR

SERIES 420



HEAD & SILL



JAMBS