

Cross Section Drawing
TIE Aluminum Awning
Block Frame



Clearly the best.™

CAD File Scale
 NTS

View
 Horizontal & Vertical

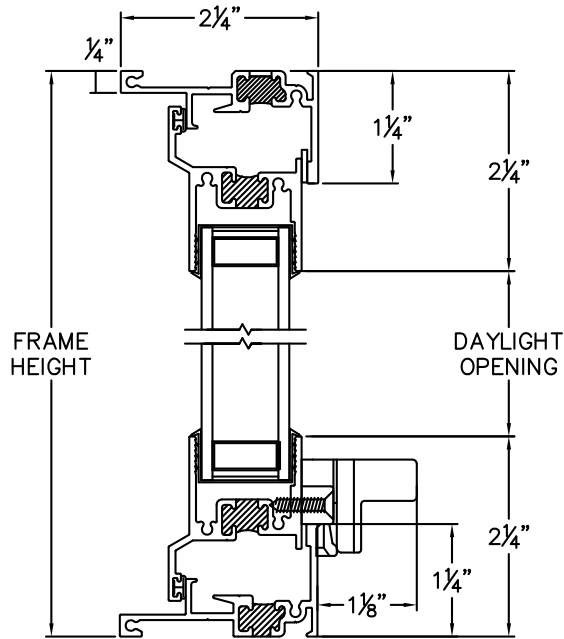
File Name
 Aluminum_TIE_920_FA_Block

Units
 Inch

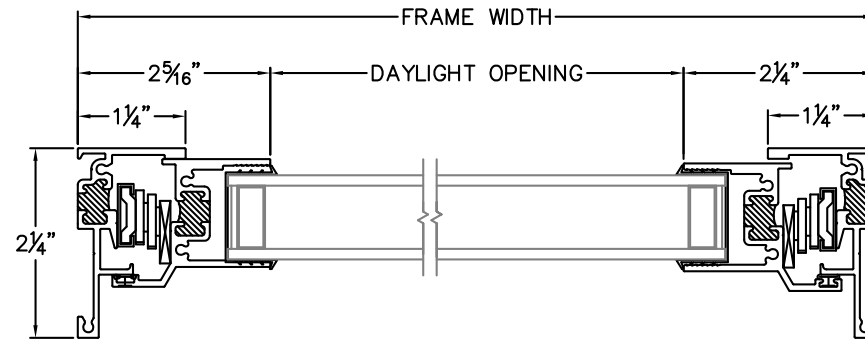
More Technical Documents can be found at milgard.com/professionals

Due to continual research and development, details may be changed at any time. ©2013 Milgard Mfg.

AWNING
SERIES 920



HEAD & SILL



JAMBS