

Cross Section Drawing

Ultra French InSwing Door, 4 Panel Fixed/Passive/Active/Fixed 1" Nailfin Setback



CAD File Scale
NTS

View
Horizontal & Vertical

File Name
Ultra_3642U_IS_OPAO_1inNFS

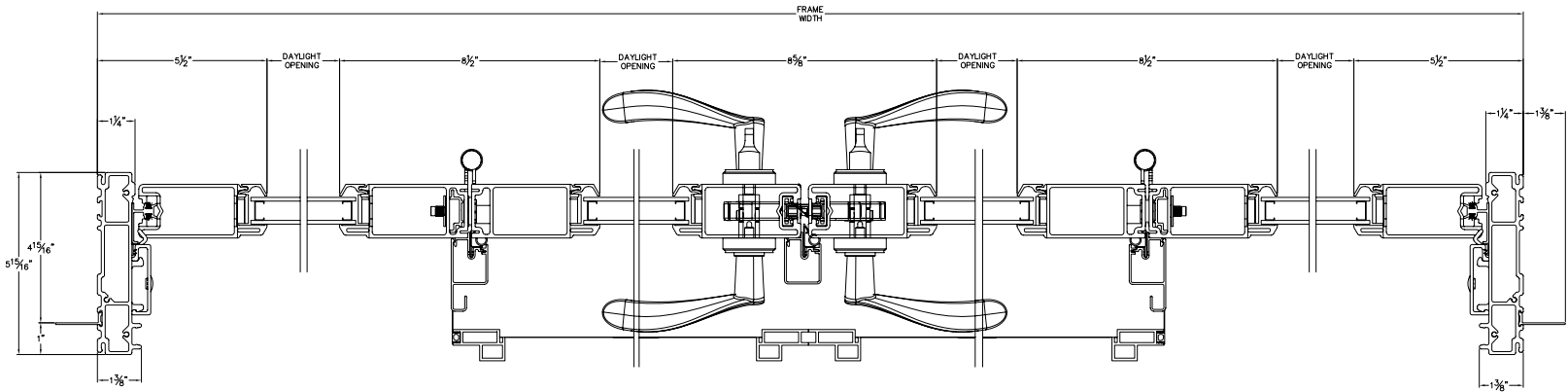
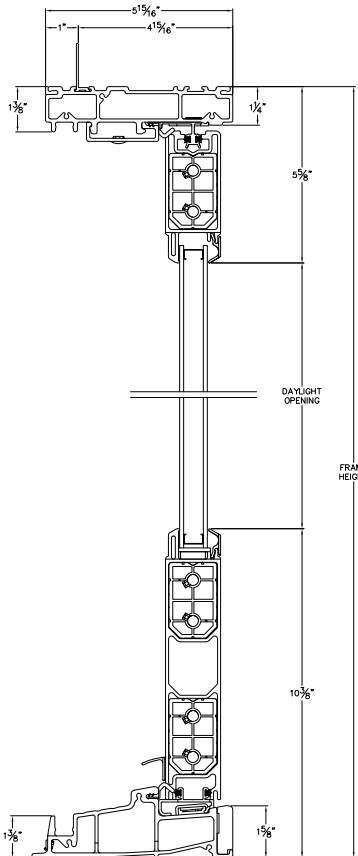
Units
Inch

Revision
-

More Technical Documents can be found at milgard.com/professionals

Due to continual research and development, details may be changed at any time. ©2013 Milgard Mfg.

INSWING SERIES 3642



HEAD & SILL

JAMBS