

Cross Section Drawing

**Ultra Low Sill Outswing Door, AP/PA Configuration
1" Nailfin Setback**



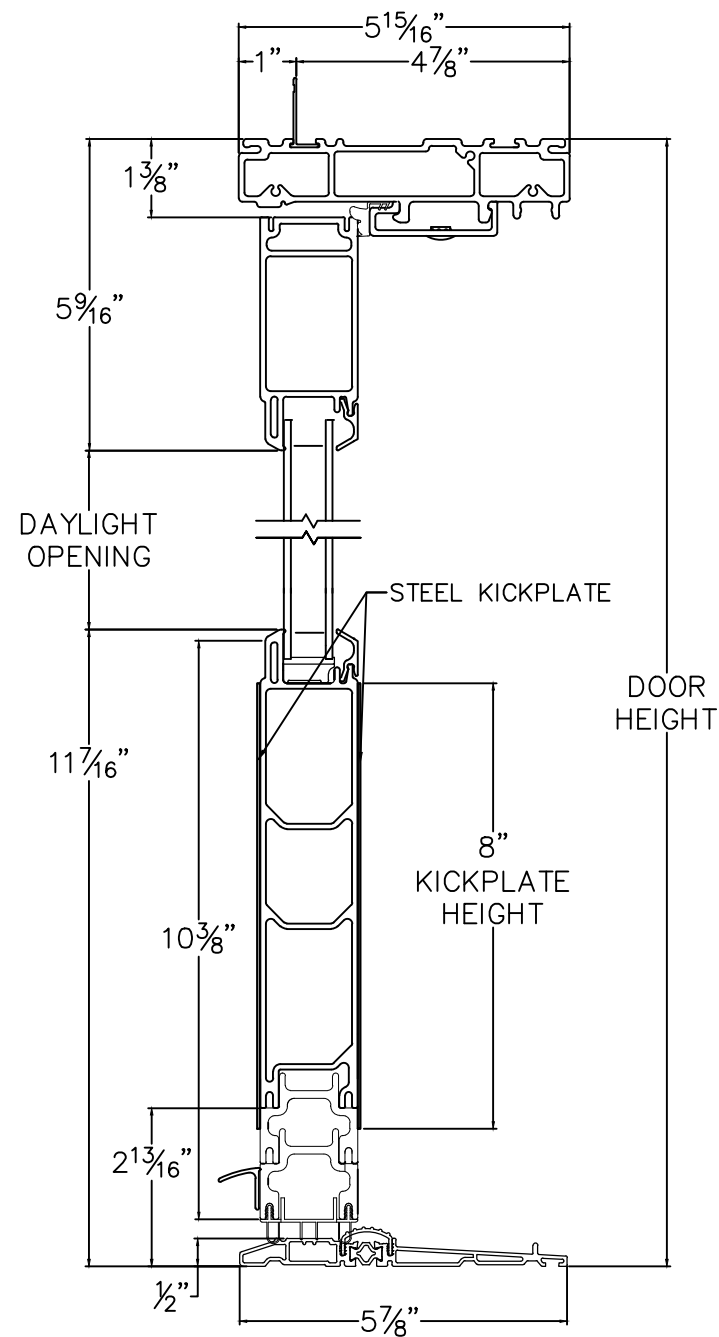
Clearly the best.™

CAD File Scale	View	File Name	Units	Revision
NTS	Horizontal & Vertical	Ultra_3945U_OS_low_sill_ADA_AP_1in	Inch	12/2020

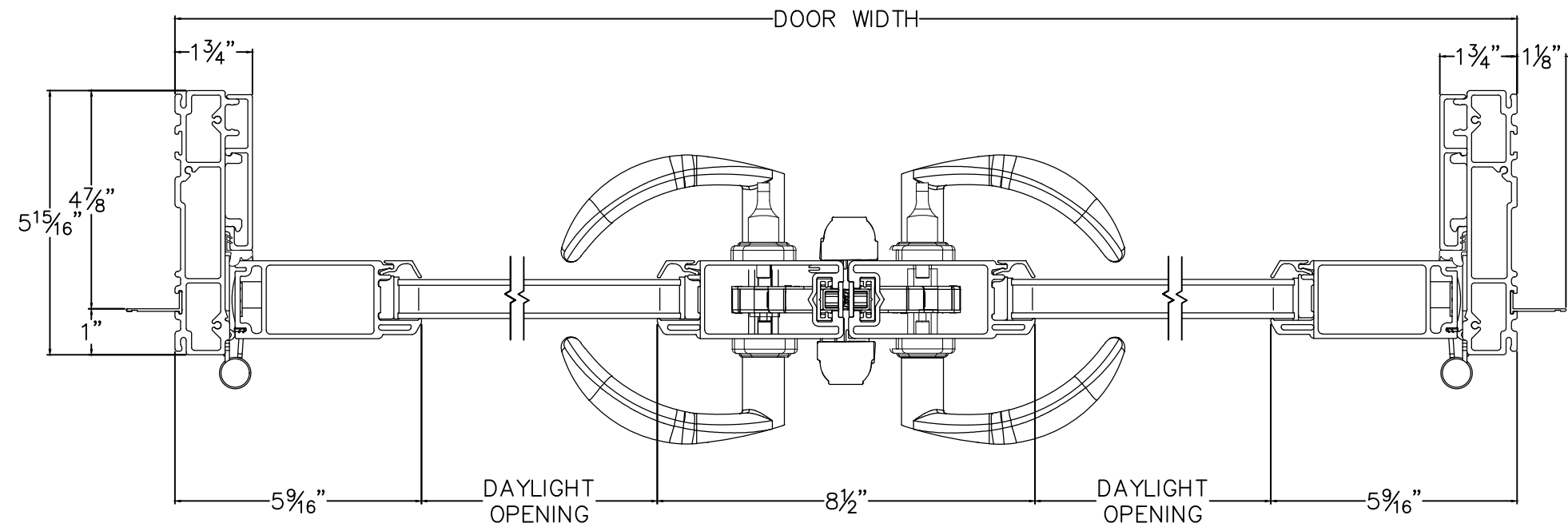
More Technical Documents can be found at milgard.com/professionals
Due to continual research and development, details may be changed at any time. ©2020Milgard Mfg.

**OUTSWING DOOR
SERIES 3945U**

Shown with ADA Compliant Handle



HEAD & SILL



JAMBS