

Cross Section Drawing

Tuscany Single Hung Window, with Sloped Sill Adapter Block Frame



Clearly the best.™

CAD File Scale
NTS

View
Horizontal & Vertical

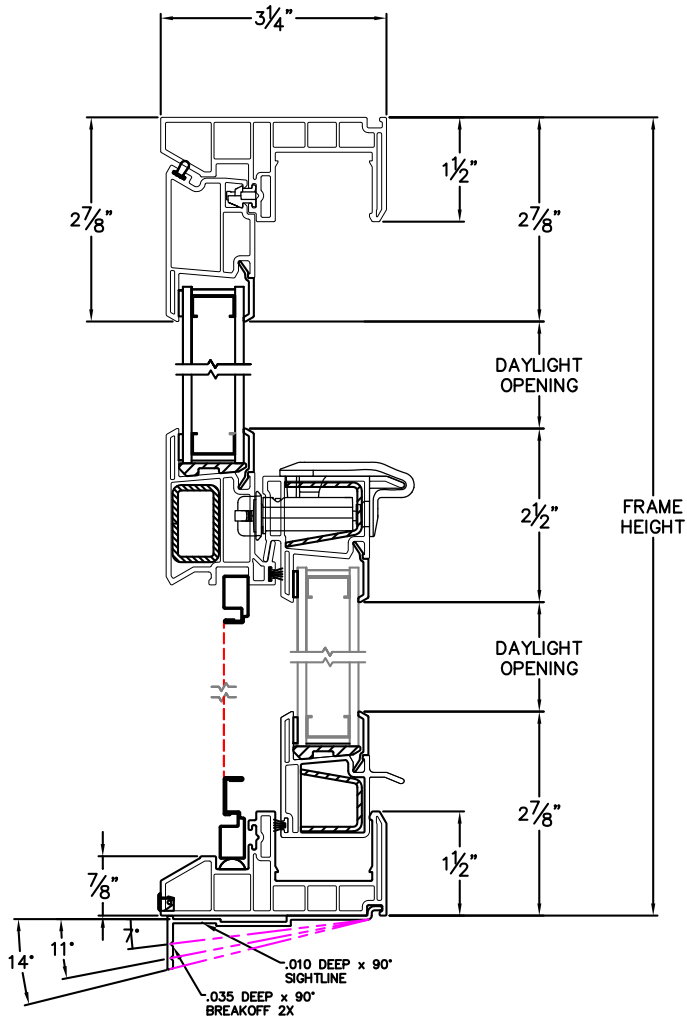
File Name
Tuscany_8220T_SH_slope-sill-adapter

Units
Inch

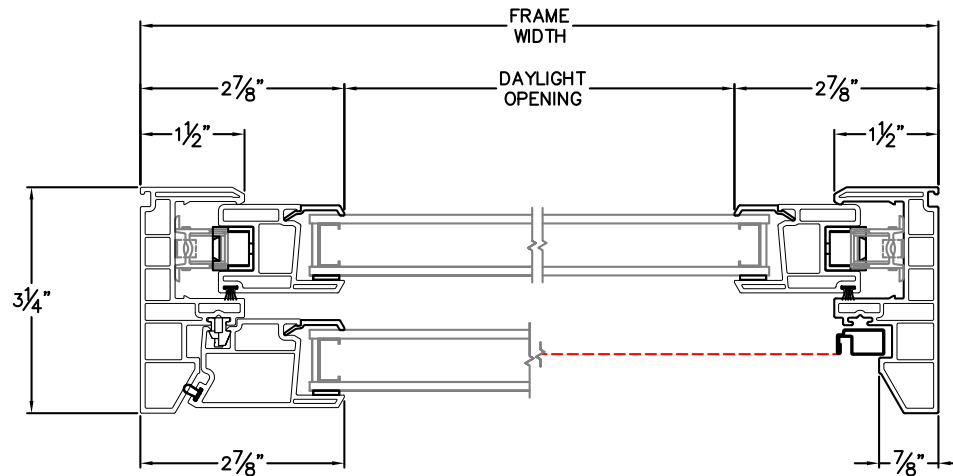
More Technical Documents can be found at milgard.com/professionals

Due to continual research and development, details may be changed at any time. ©2013 Milgard Mfg.

SINGLE HUNG SERIES 8220



HEAD & SILL



JAMBS