

**Cross Section Drawing**  
**V150 Picture Window, Slider Frame**  
**Block Frame**

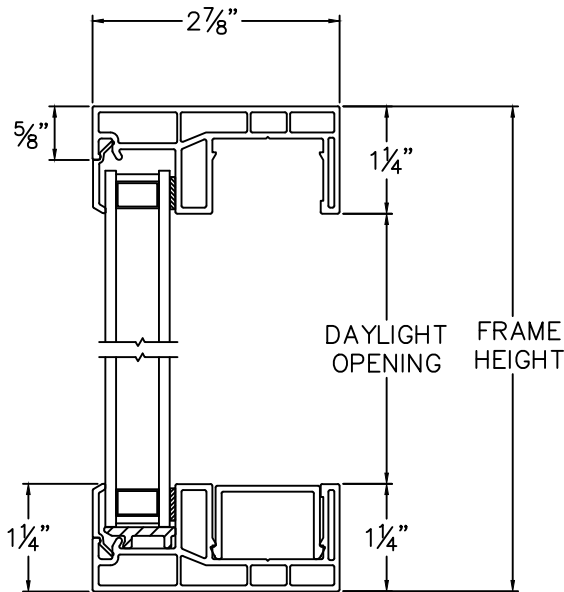


*Clearly the best.™*

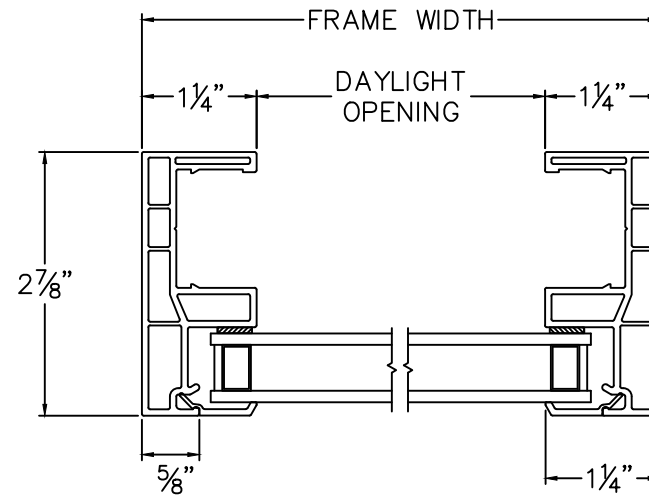
CAD File Scale	View	File Name	Units	Revision
NTS	Horizontal & Vertical	V150_6310B_PWR_Block	Inch	7/2021

More Technical Documents can be found at [milgard.com/professionals](http://milgard.com/professionals)  
 Due to continual research and development, details may be changed at any time. ©2021 Milgard Mfg.

**PICTURE WINDOW**  
**SERIES 6310B**



**HEAD & SILL**



**JAMBS**