

**Cross Section Drawing**

**Ultra Low Sill Outswing Door, ADA compliant, AP/PA Configuration  
1.375" Nailfin Setback**



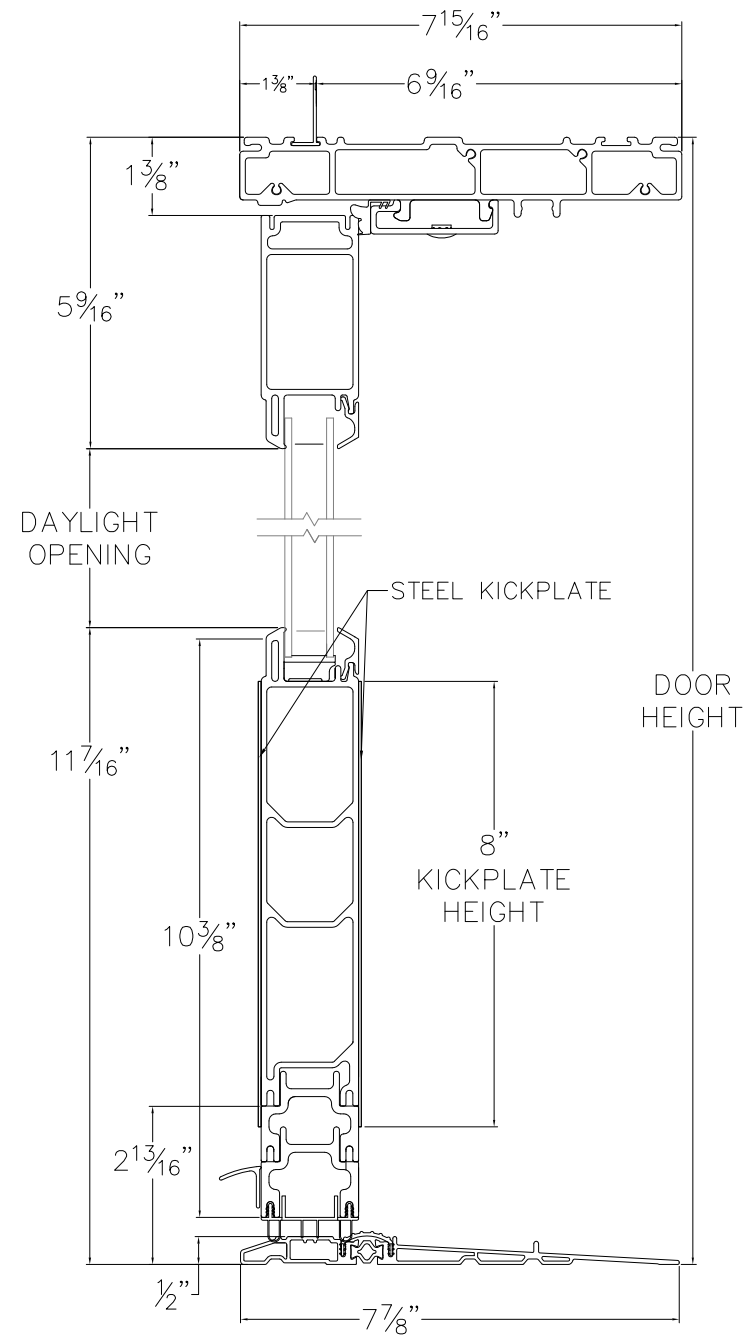
*Clearly the best.™*

CAD File Scale	View	File Name	Units	Revision
NTS	Horizontal & Vertical	Ultra_3965U_OS_low_sill_ADA_AP_1.375in	Inch	-

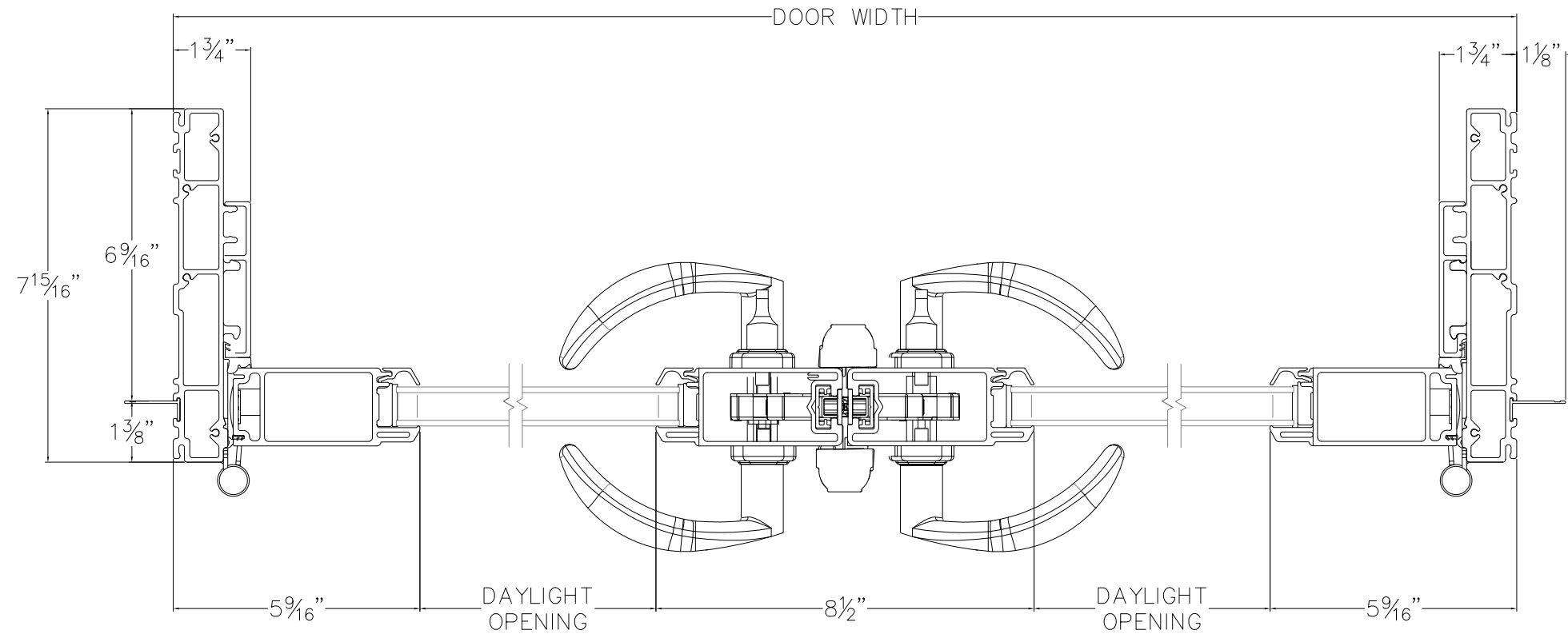
More Technical Documents can be found at [milgard.com/professionals](http://milgard.com/professionals)  
Due to continual research and development, details may be changed at any time. ©2013 Milgard Mfg.

**OUTSWING DOOR  
SERIES 3965U**

Shown with ADA Compliant Handle



**HEAD & SILL**



**JAMBS**