

Cross Section Drawing

Ultra French InSwing Door, Single Panel 1 3/8" Nailfin Setback, 6 9/16" wall condition



CAD File Scale
NTS

View
Horizontal & Vertical

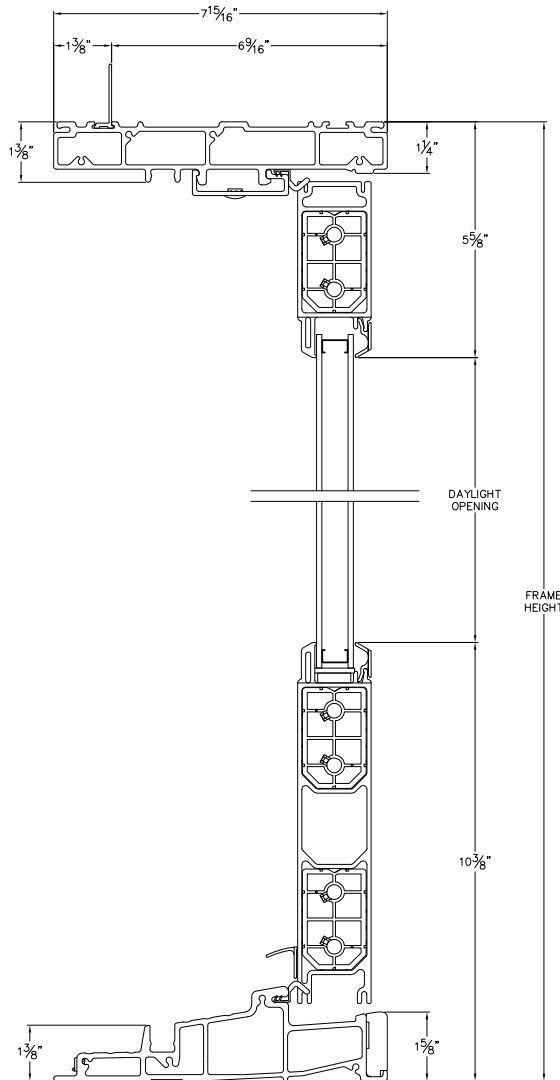
File Name
Ultra_3662U_IS_L_1.375in_6.563in-wall

Units
Inch

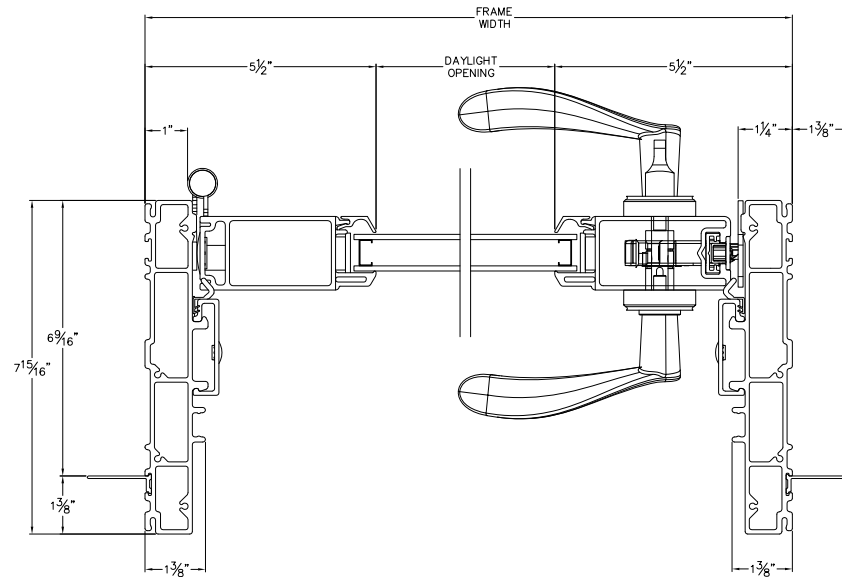
Revision
-

More Technical Documents can be found at milgard.com/professionals
Due to continual research and development, details may be changed at any time. ©2013 Milgard Mfg.

INSWING SERIES 3662



HEAD & SILL



JAMBS