

## Cross Section Drawing

# StyleLine Horizontal Slider Window 1 " Fin Set Back w/ "J" Channel



*Clearly the best.™*

CAD File Scale  
NTS

View  
Horizontal & Vertical

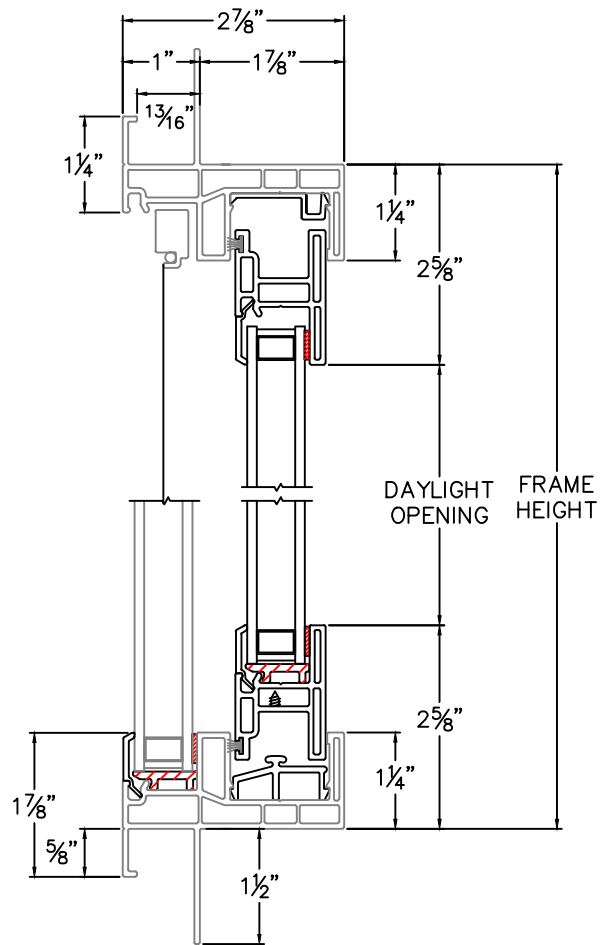
File Name  
6130J-01HS

Units  
Inch

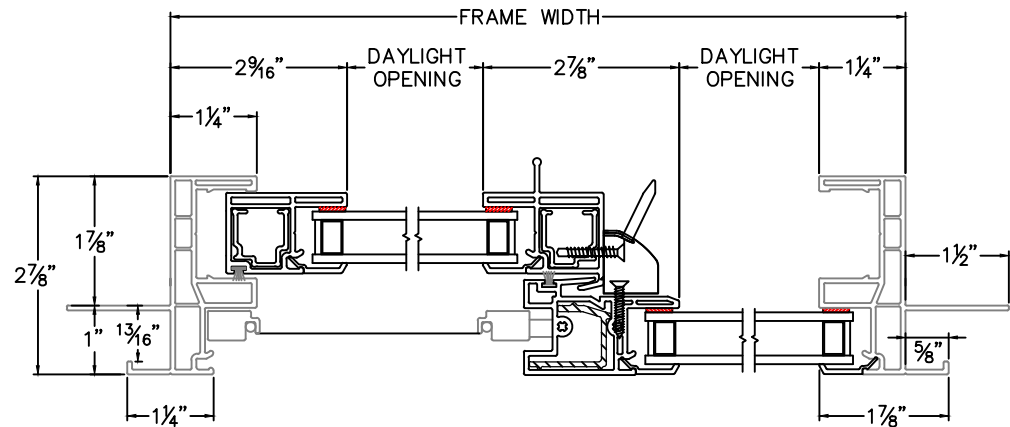
More Technical Documents can be found at [milgard.com/professionals](http://milgard.com/professionals)

Due to continual research and development, details may be changed at any time. ©2013 Milgard Mfg.

## HORIZONTAL SLIDER SERIES 6130J



HEAD & SILL



JAMBS