

## Cross Section Drawing

# StyleLine Horizontal Slider Window 1 1/2" Contour Z-Bar



Clearly the best.™

CAD File Scale  
NTS

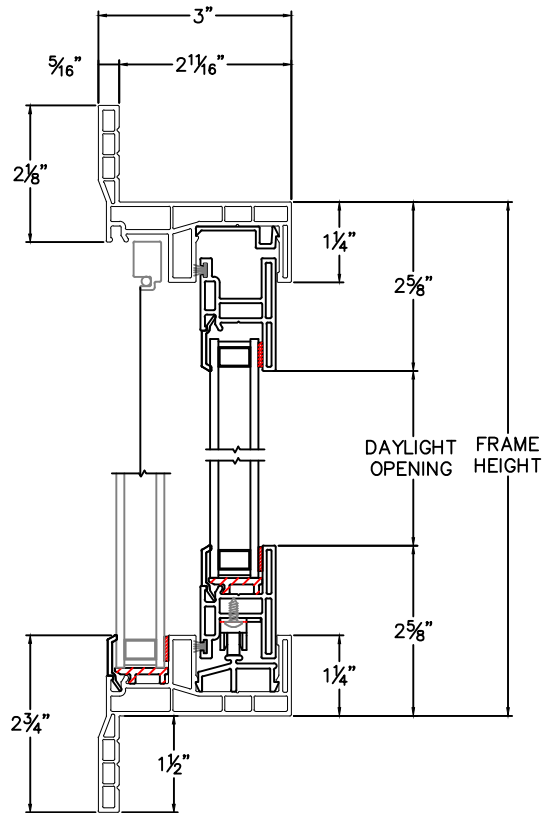
View  
Horizontal & Vertical

File Name  
6170-01HS

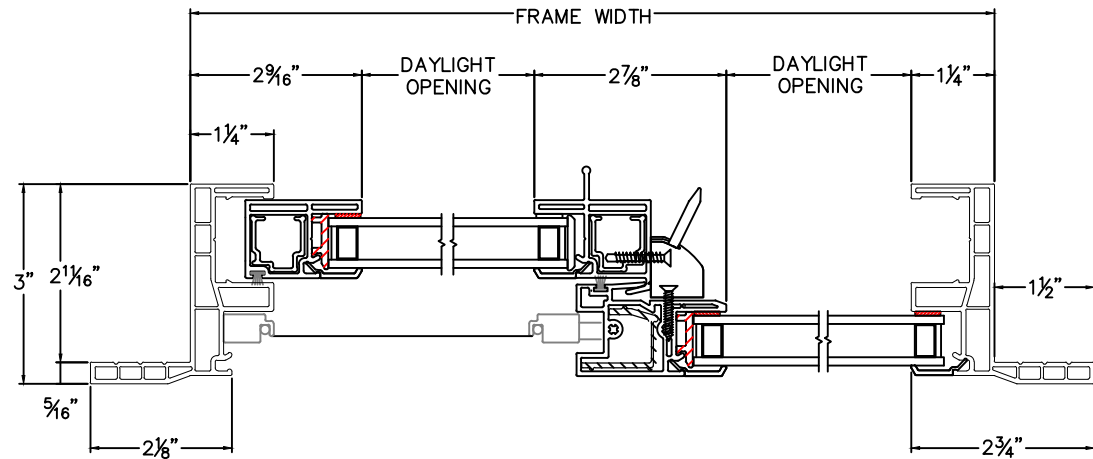
Units  
Inch

More Technical Documents can be found at [milgard.com/professionals](http://milgard.com/professionals)  
Due to continual research and development, details may be changed at any time. ©2013 Milgard Mfg.

## HORIZONTAL SLIDER SERIES 6170



HEAD & SILL



JAMBS