

Cross Section Drawing

StyleLine Picture Window, Step Frame 1 3/8" Fin Set Back



Clearly the best.™

CAD File Scale
NTS

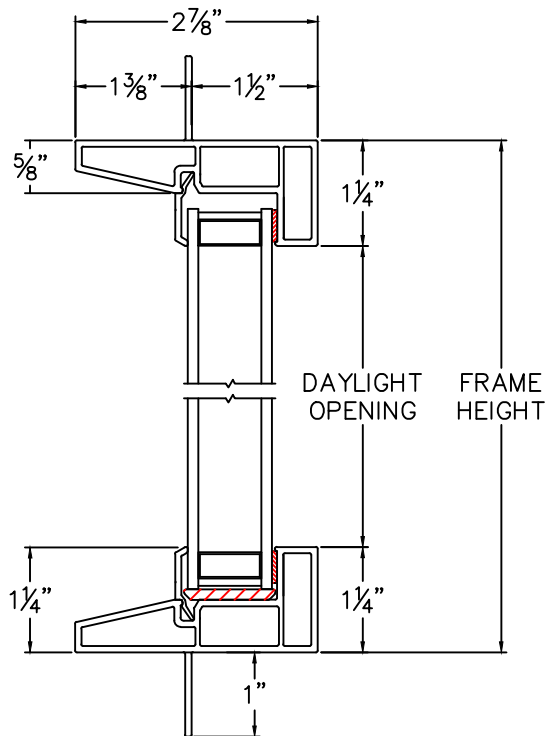
View
Horizontal & Vertical

File Name
6340-01

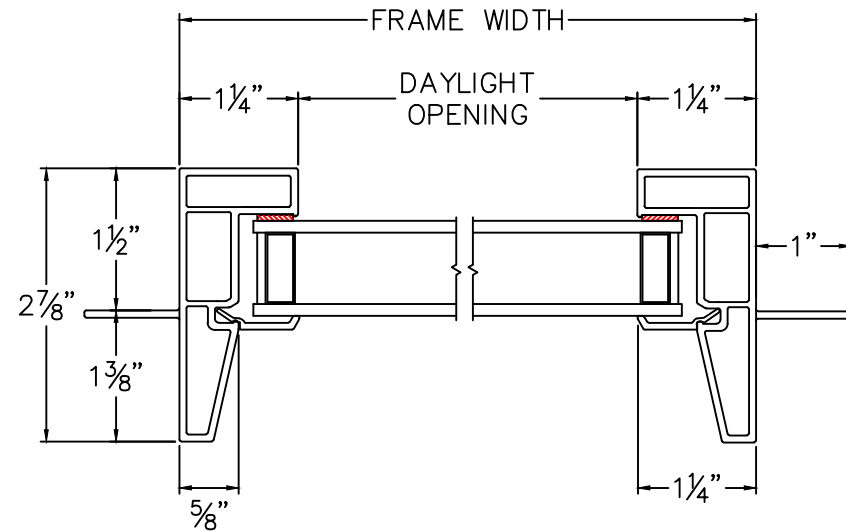
Units
Inch

More Technical Documents can be found at milgard.com/professionals
Due to continual research and development, details may be changed at any time. ©2013 Milgard Mfg.

PICTURE WINDOW SERIES 6340



HEAD & SILL



JAMBS