

## Cross Section Drawing

# StyleLine Single Hung Window 1 3/8" Fin Set Back



Clearly the best.™

CAD File Scale  
NTS

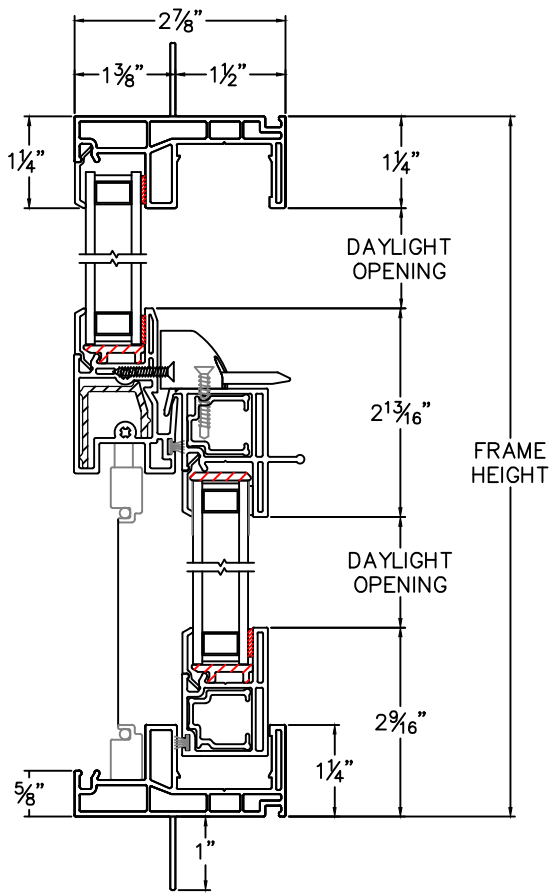
View  
Horizontal & Vertical

File Name  
6210-01SH

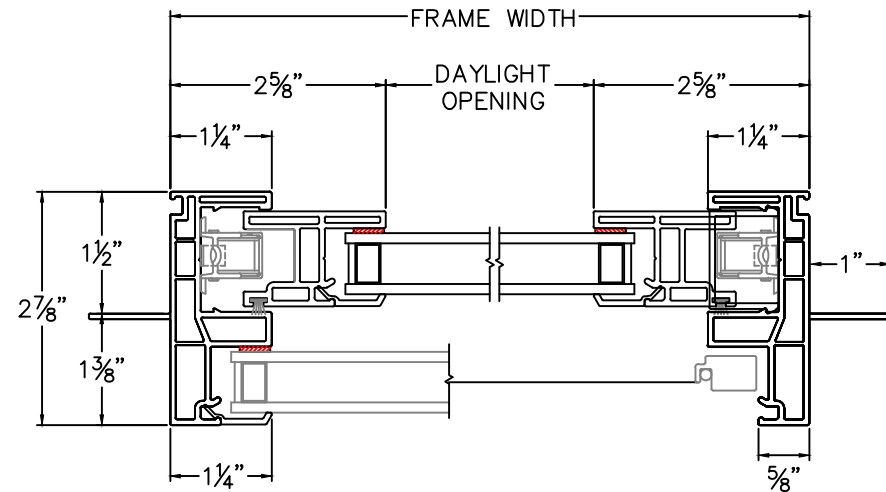
Units  
Inch

More Technical Documents can be found at [milgard.com/professionals](http://milgard.com/professionals)  
Due to continual research and development, details may be changed at any time. ©2013 Milgard Mfg.

## SINGLE HUNG SERIES 6210



HEAD & SILL



JAMBS