

Cross Section Drawing

TIE Aluminum Casement Window, Hinged Screen 1 5/16" Nailfin Setback Frame



Clearly the best.™

CAD File Scale
NTS

View
Horizontal & Vertical

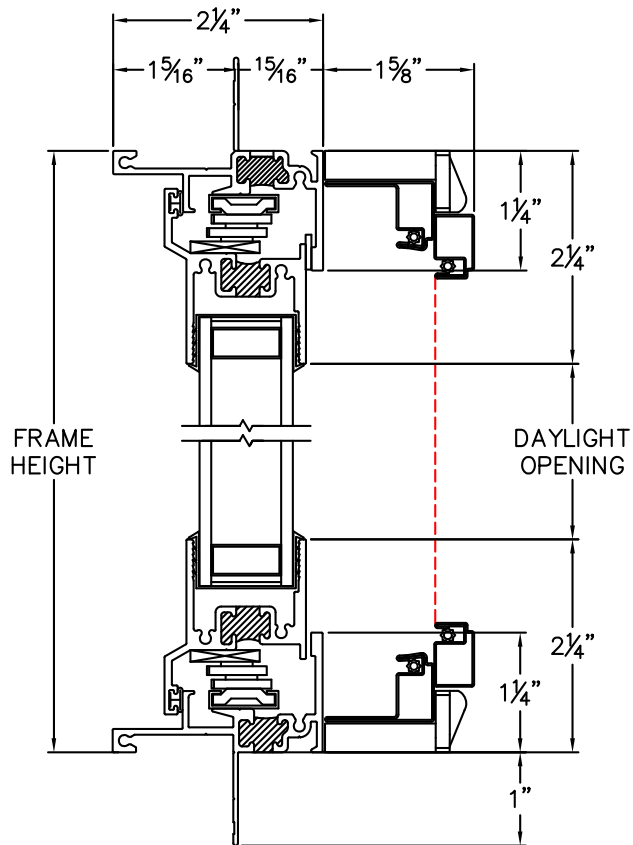
File Name
Aluminum_TIE_920_FC_1in_hinged-screen

Units
Inch

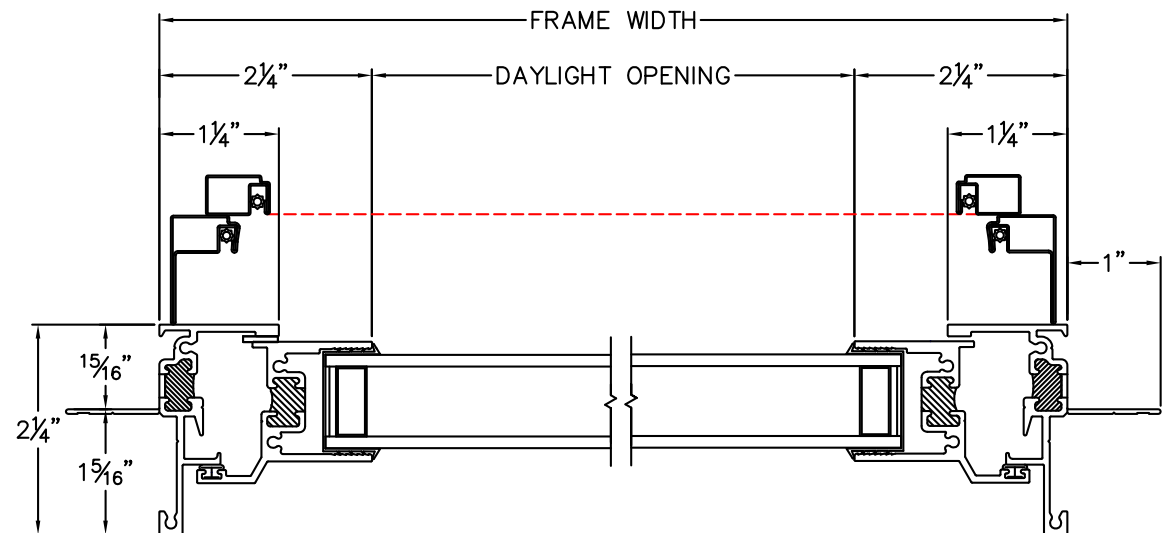
More Technical Documents can be found at milgard.com/professionals

Due to continual research and development, details may be changed at any time. ©2013 Milgard Mfg.

CASEMENT SERIES 920



HEAD & SILL



JAMBS