

**Cross Section Drawing**

**Aluminum, Thermally Improved (TIE), Muller Triple Single Hung  
1 3/8" Nailfin Setback Frame**



*Clearly the best.™*

CAD File Scale  
NTS

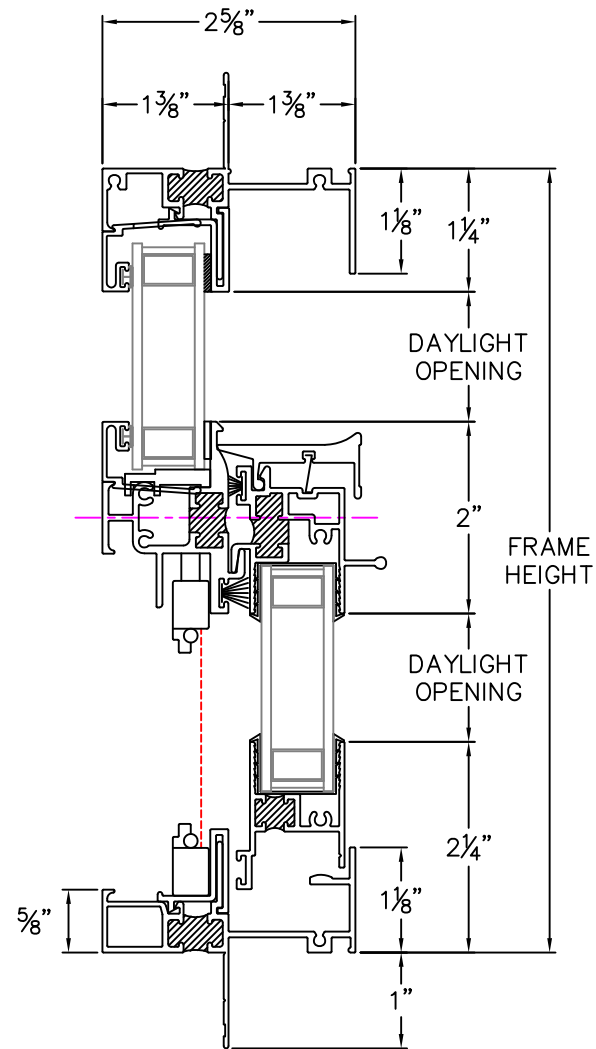
View  
Horizontal & Vertical

File Name  
Aluminum TIE 1520 Triple SH

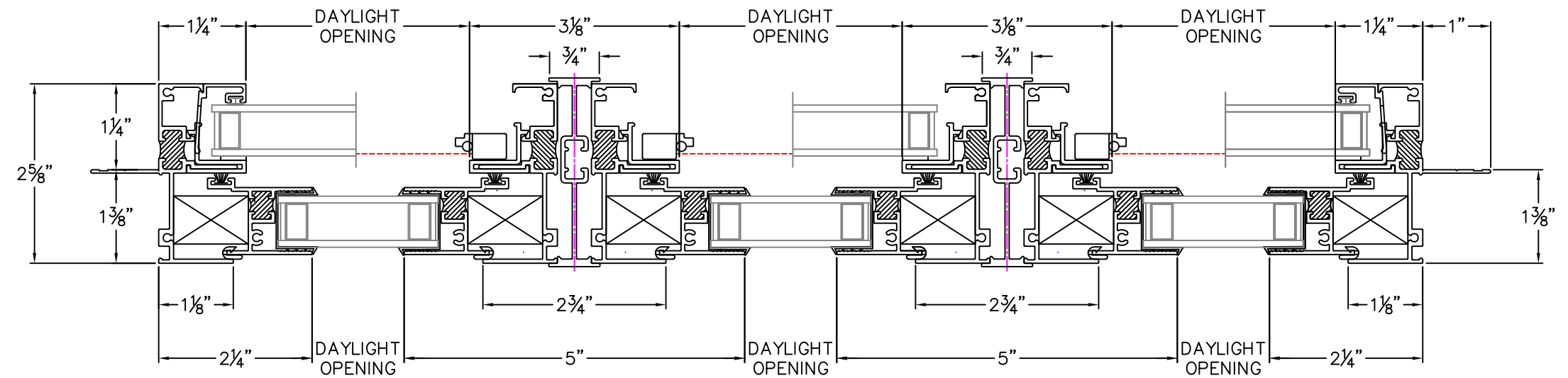
Units  
Inch

More Technical Documents can be found at [milgard.com/professionals](http://milgard.com/professionals)  
Due to continual research and development, details may be changed at any time. ©2013 Milgard Mfg.

**SINGLE HUNG  
SERIES 1520**



**HEAD & SILL**



**JAMBS**