

## Cross Section Drawing

# Tuscany Full Awning Window, Fixed Accessory Groove Frame, 2 1/8" Contour Z-Bar



Clearly the best.™

CAD File Scale  
NTS

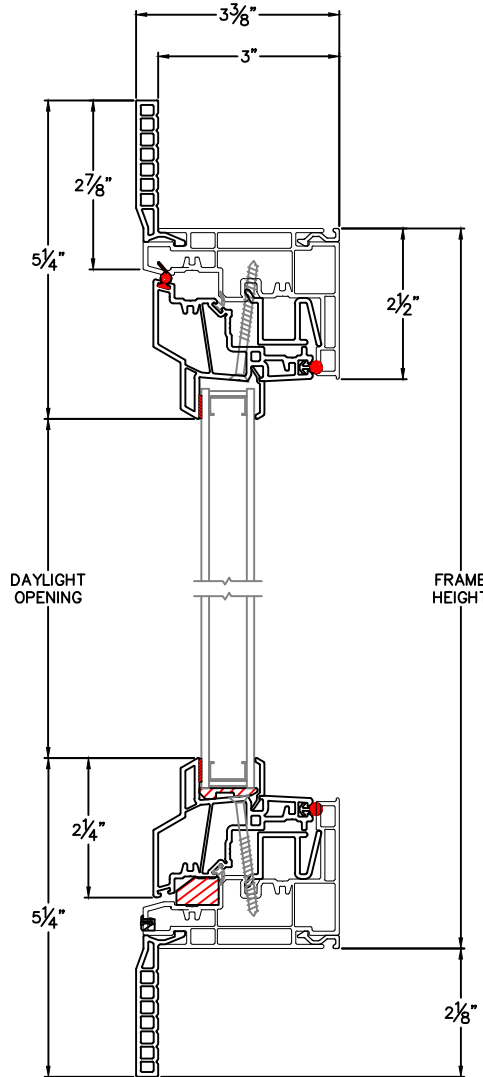
View  
Horizontal & Vertical

File Name  
8441T-02 FA

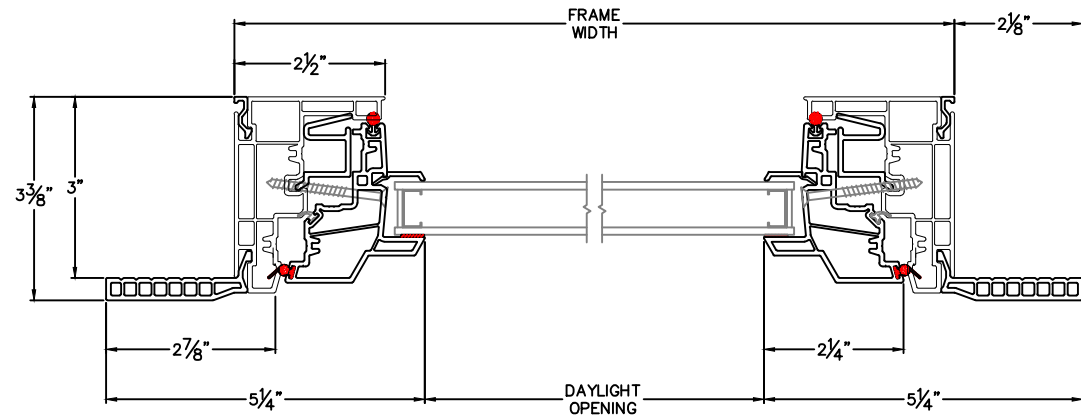
Units  
Inch

More Technical Documents can be found at [milgard.com/professionals](http://milgard.com/professionals)  
Due to continual research and development, details may be changed at any time. ©2013 Milgard Mfg.

## AWNING SERIES 8441



HEAD & SILL



JAMBS