

**Cross Section Drawing**  
**Tuscany Full Awning Window**  
**1 5/8" Contour Z-Bar**



*Clearly the best.™*

CAD File Scale  
 NTS

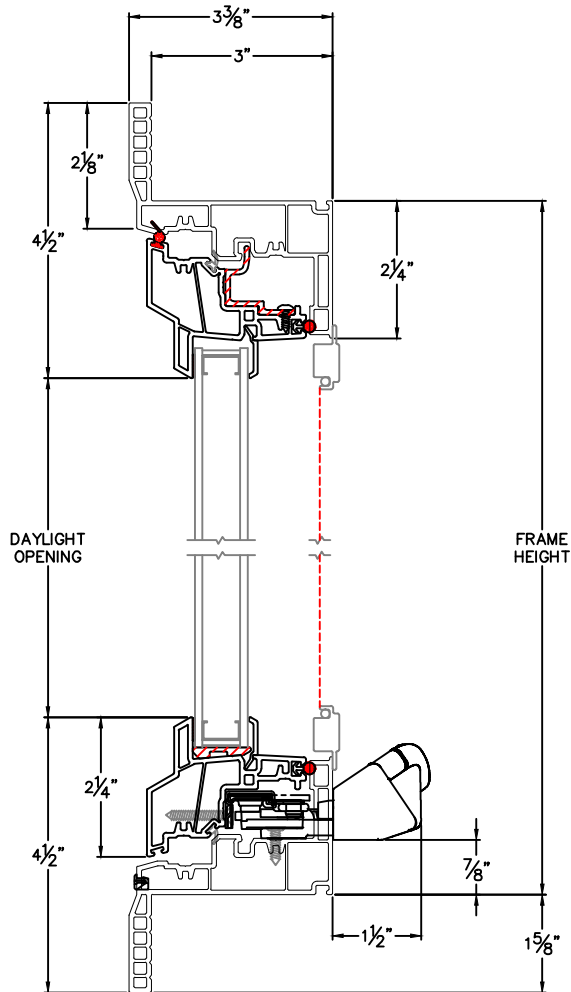
View  
 Horizontal & Vertical

File Name  
 8470T-01 FA

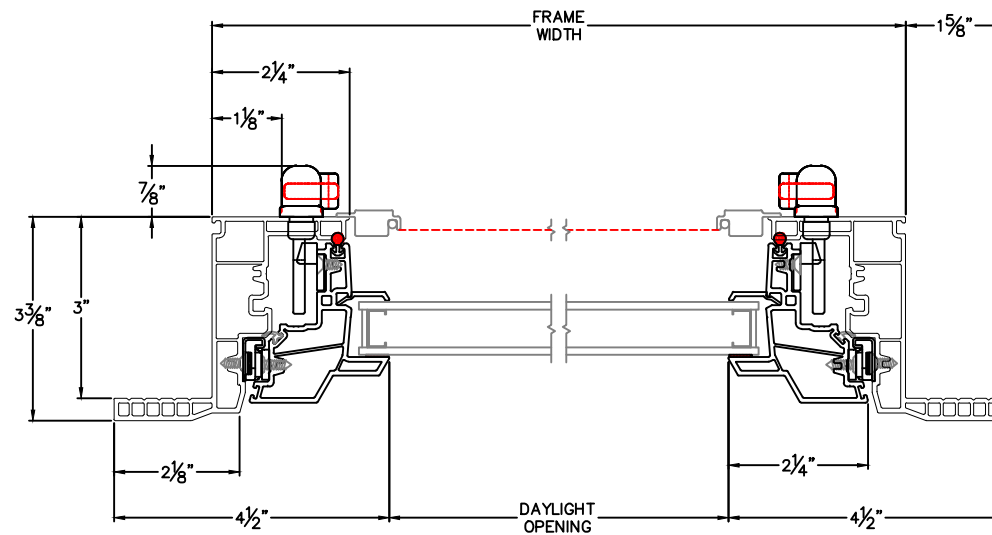
Units  
 Inch

More Technical Documents can be found at [milgard.com/professionals](http://milgard.com/professionals)  
 Due to continual research and development, details may be changed at any time. ©2013 Milgard Mfg.

**AWNING**  
**SERIES 8470**



**HEAD & SILL**



**JAMBS**