

Cross Section Drawing

Tuscany Double Top Casement, Fixed Lite Window 1 3/8" Fin Setback



CAD File Scale
NTS

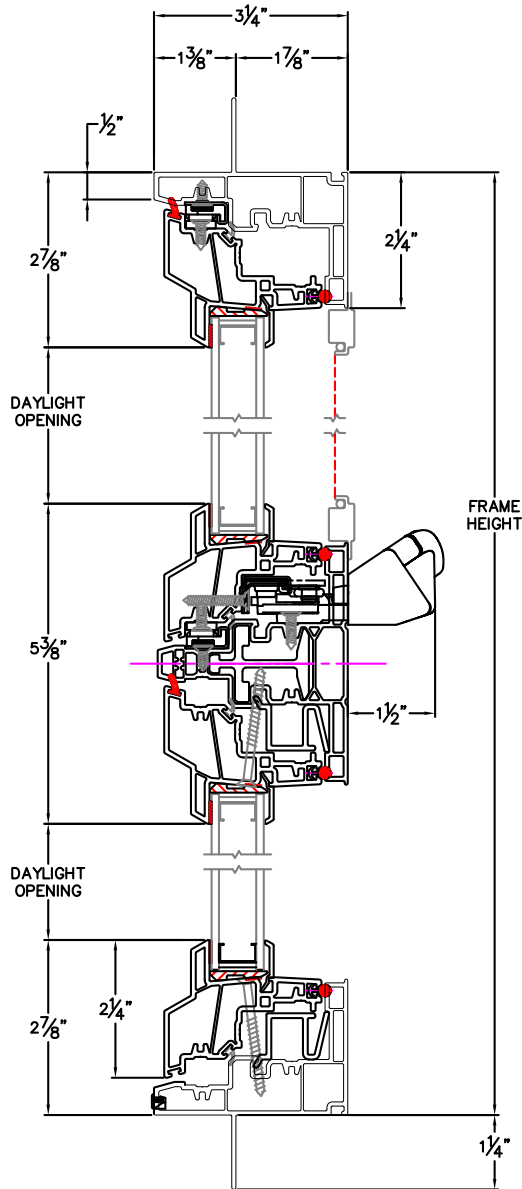
View
Horizontal & Vertical

File Name
8520T DBC2F

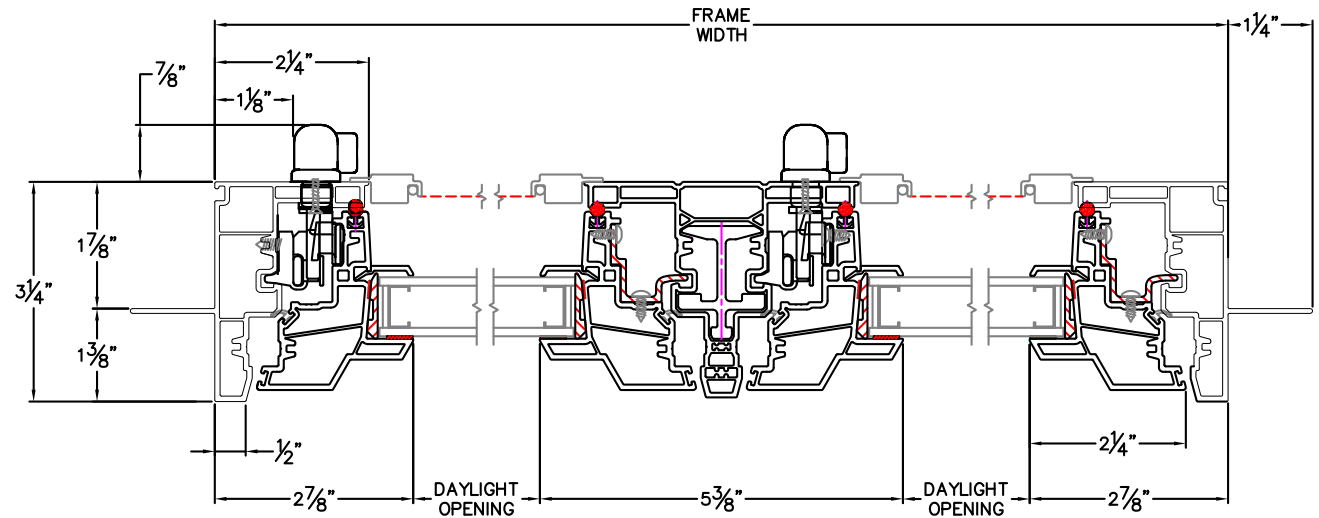
Units
Inch

More Technical Documents can be found at milgard.com/professionals
Due to continual research and development, details may be changed at any time. ©2013 Milgard Mfg.

DOUBLE TOP CASEMENT, FIXED LITE SERIES 8520



HEAD & SILL



JAMBS

