

## Cross Section Drawing

# Tuscany Double Hung Window Accessory Groove Frame, 2 1/8" Contour Z-Bar



CAD File Scale  
NTS

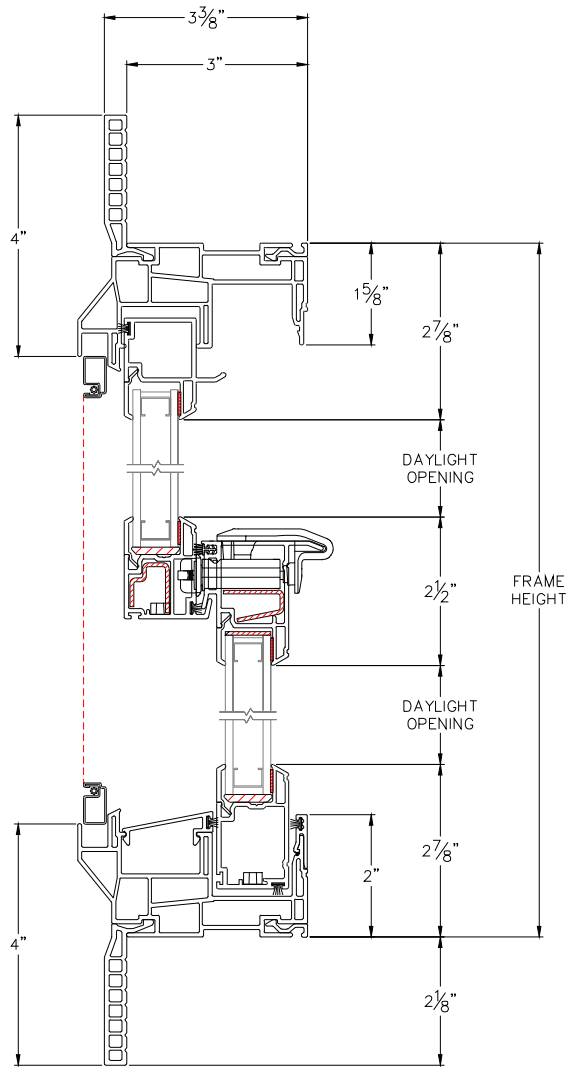
View  
Horizontal & Vertical

File Name  
8225T-02 DH

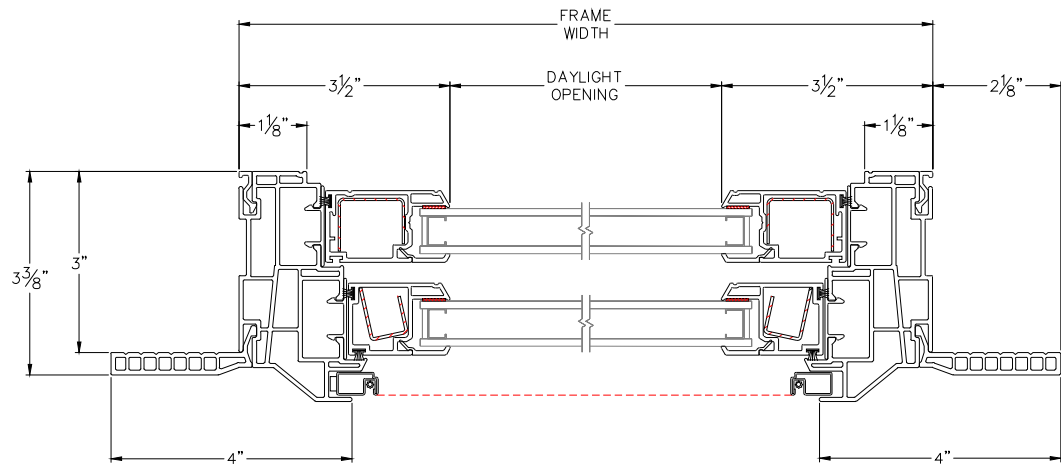
Units  
Inch

More Technical Documents can be found at [milgard.com/professionals](http://milgard.com/professionals)  
Due to continual research and development, details may be changed at any time. ©2013 Milgard Mfg.

## DOUBLE HUNG SERIES 8225



HEAD & SILL



JAMBS