

Cross Section Drawing

Tuscany Horizontal Slider Window

1 3/8" Fin Setback Accessory Groove Frame, 1" Contour J Channel



Clearly the best.™

CAD File Scale
NTS

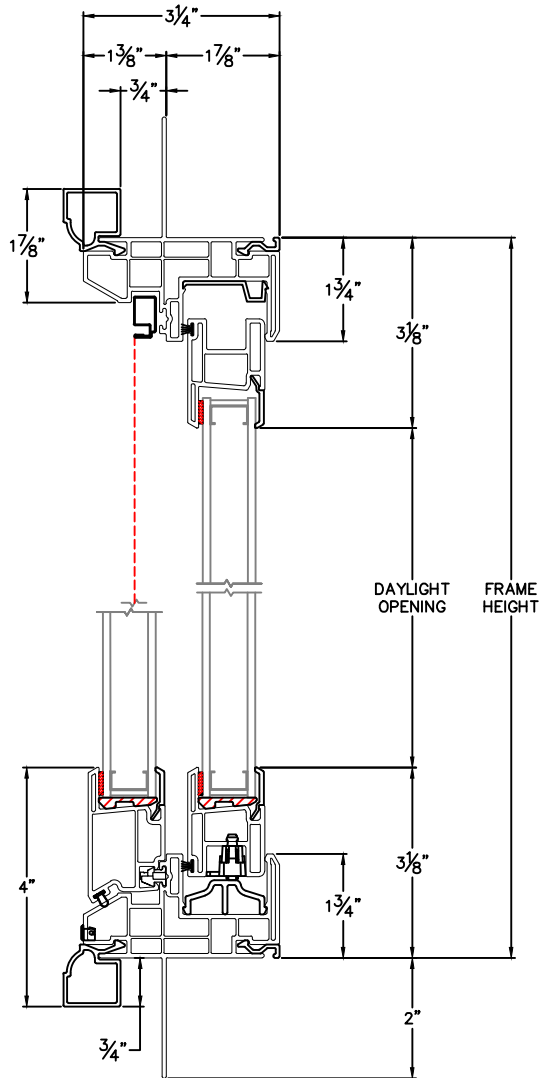
View
Horizontal & Vertical

File Name
8140T-01 HS

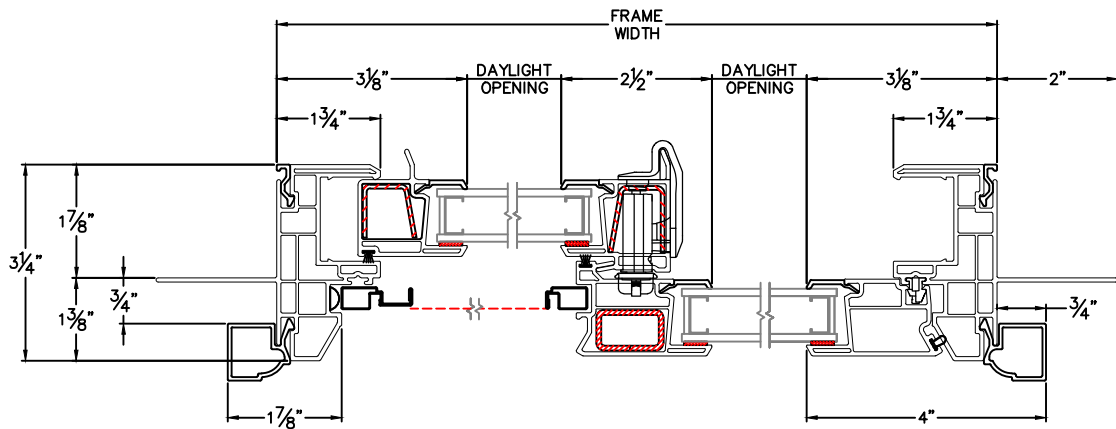
Units
Inch

More Technical Documents can be found at milgard.com/professionals
Due to continual research and development, details may be changed at any time. ©2013 Milgard Mfg.

HORIZONTAL SLIDER SERIES 8140



HEAD & SILL



JAMBS