

Cross Section Drawing

Tuscany Horizontal Slider Window 1" Fin Setback w/Stucco Key



Clearly the best.™

CAD File Scale
NTS

View
Horizontal & Vertical

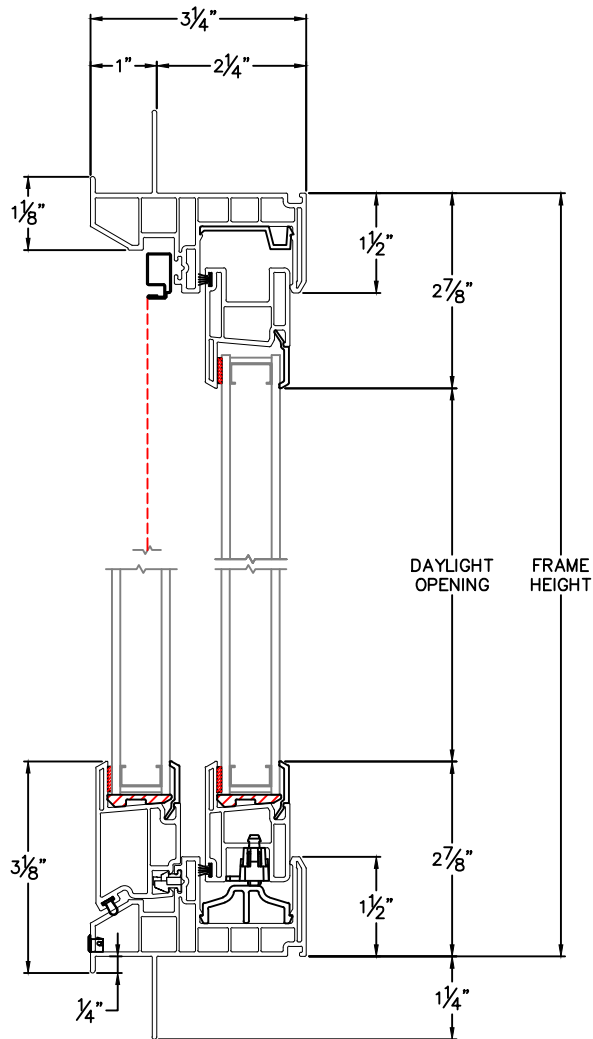
File Name
8130T-01 HS

Units
Inch

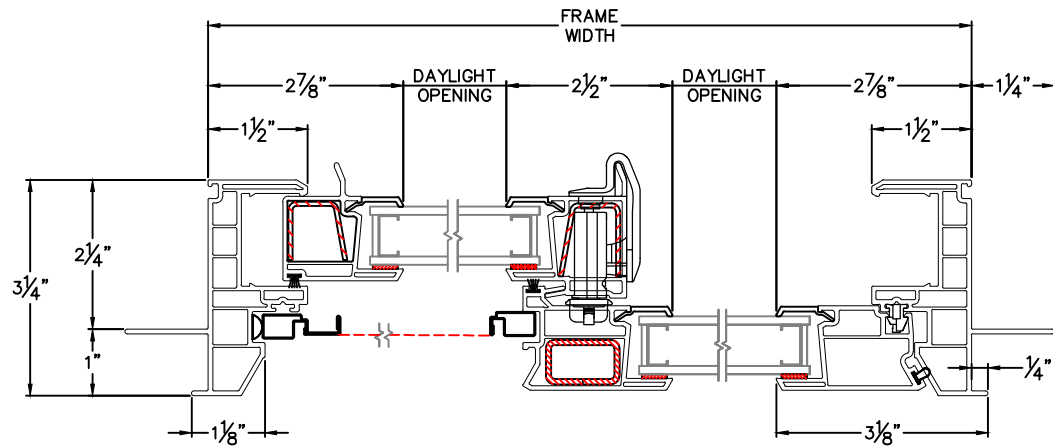
More Technical Documents can be found at milgard.com/professionals

Due to continual research and development, details may be changed at any time. ©2013 Milgard Mfg.

HORIZONTAL SLIDER SERIES 8130



HEAD & SILL



JAMBS