

# Cross Section Drawing

## Tuscany Inswing Door 1 3/8" Nailfin Setback, 6 9/16" Wall Condition



Clearly the best.™

CAD File Scale  
NTS

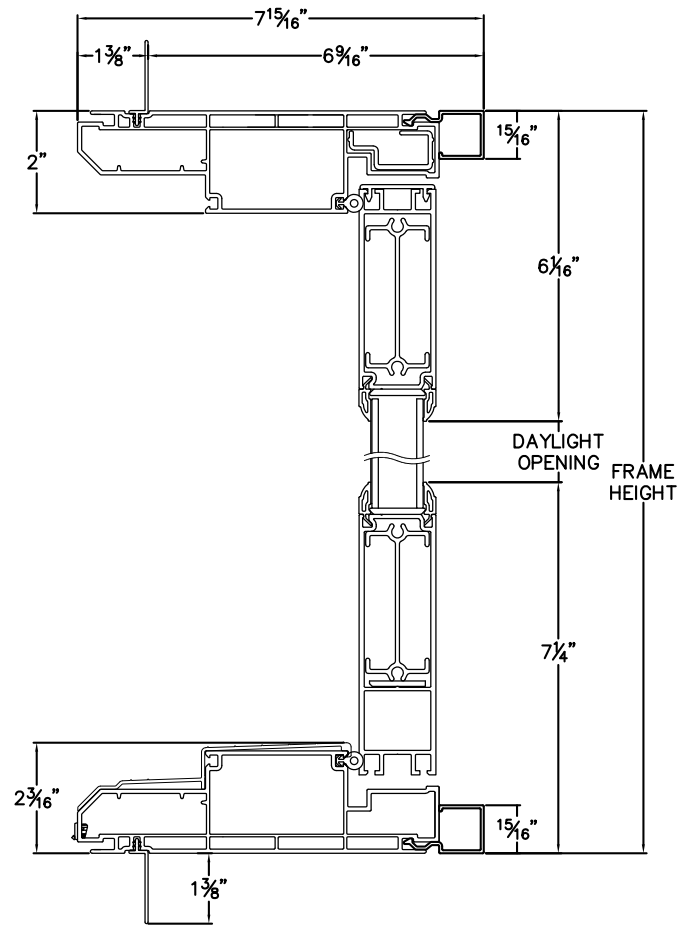
View  
Horizontal & Vertical

File Name  
8662 VIS\_X\_1375in

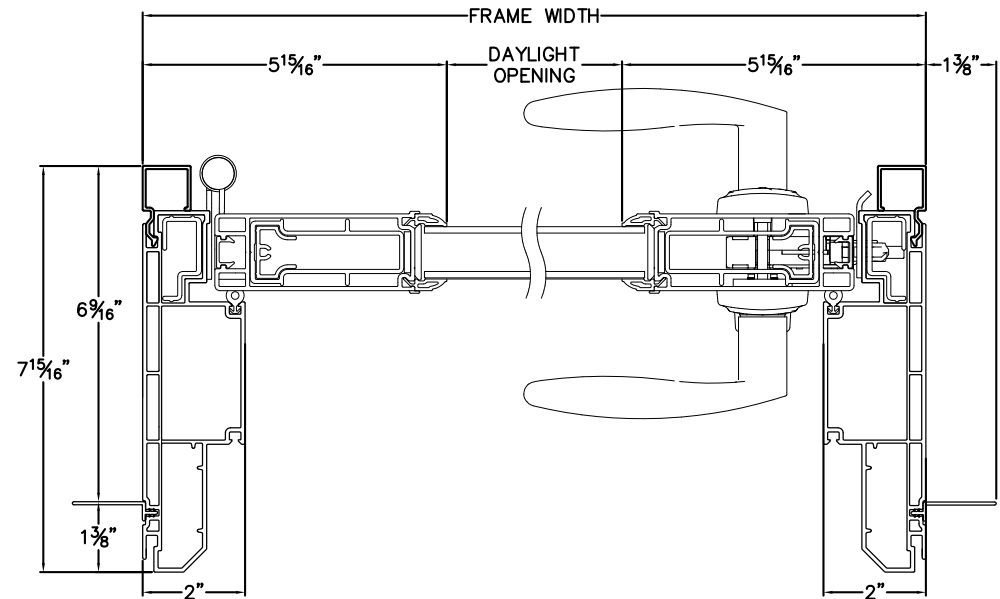
Units  
Inch

More Technical Documents can be found at [milgard.com/professionals](http://milgard.com/professionals)  
Due to continual research and development, details may be changed at any time. ©2013 Milgard Mfg.

### INSWING DOOR SERIES 8662



HEAD & SILL



JAMBS