

Cross Section Drawing
Tuscany Picture Window
1 3/8" Fin Setback

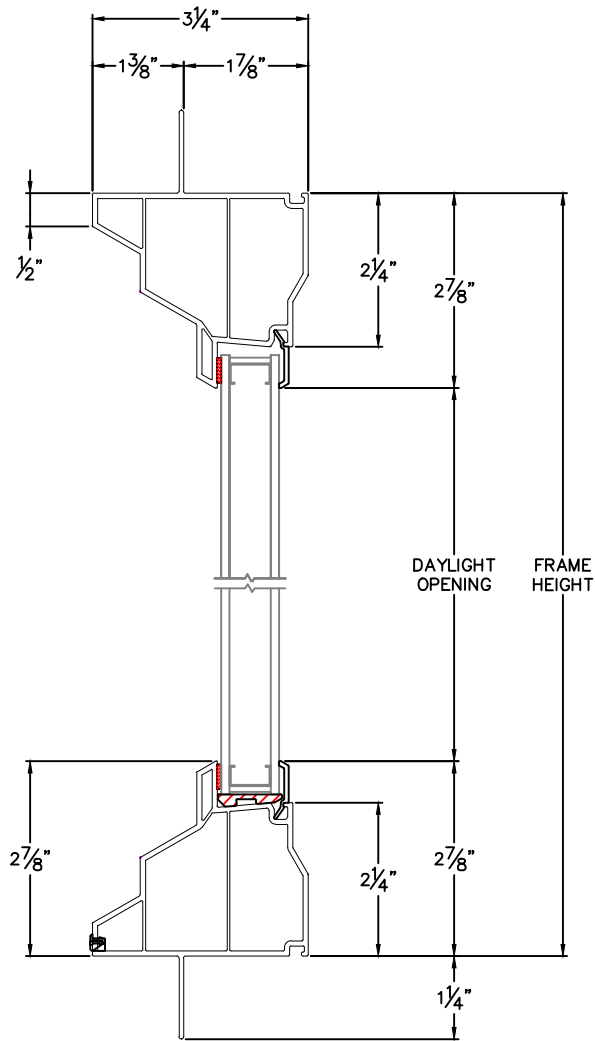


Clearly the best.™

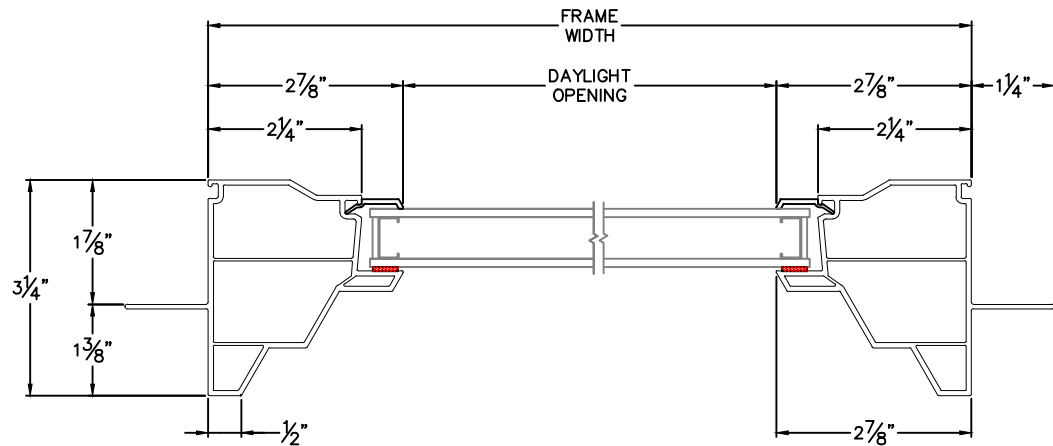
CAD File Scale NTS	View Horizontal & Vertical	File Name 8320T-01 PW	Units Inch
-----------------------	-------------------------------	--------------------------	---------------

More Technical Documents can be found at milgard.com/professionals
 Due to continual research and development, details may be changed at any time. ©2013 Milgard Mfg.

PICTURE WINDOW
SERIES 8320



HEAD & SILL



JAMBS