

Cross Section Drawing

Tuscany Picture Window

1 3/8" Fin Setback Accessory Groove Frame, 2" Brickmold



Clearly the best.™

CAD File Scale
NTS

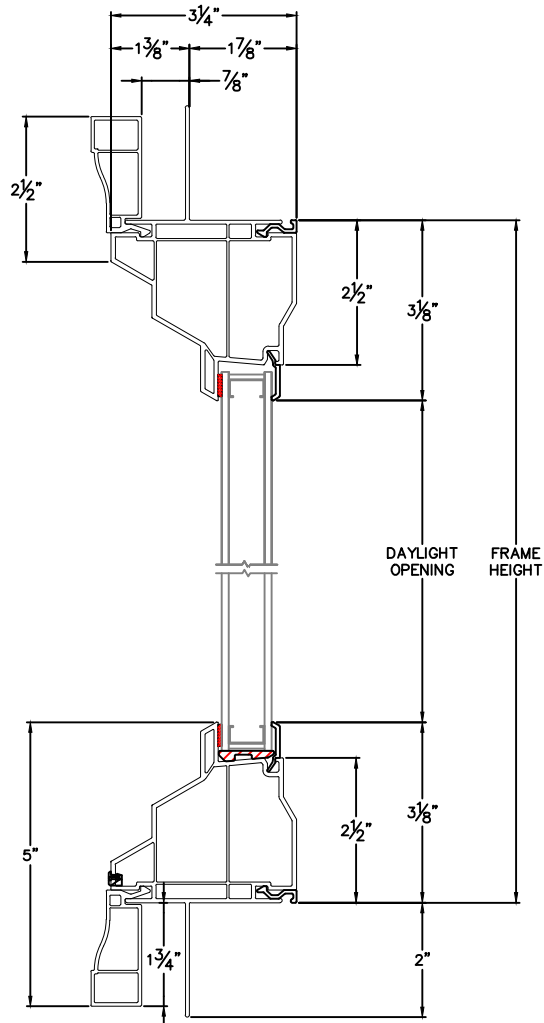
View
Horizontal & Vertical

File Name
8340T-02 PW

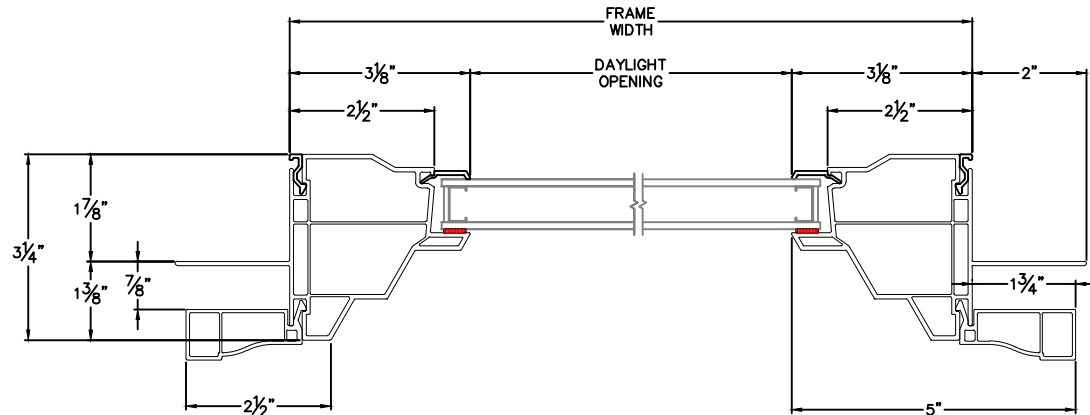
Units
Inch

More Technical Documents can be found at milgard.com/professionals
Due to continual research and development, details may be changed at any time. ©2013 Milgard Mfg.

PICTURE WINDOW SERIES 8340



HEAD & SILL



JAMBS