

# Cross Section Drawing

## Tuscany Single Hung Window

### 1" Fin Setback w/Stucco Key



CAD File Scale  
NTS

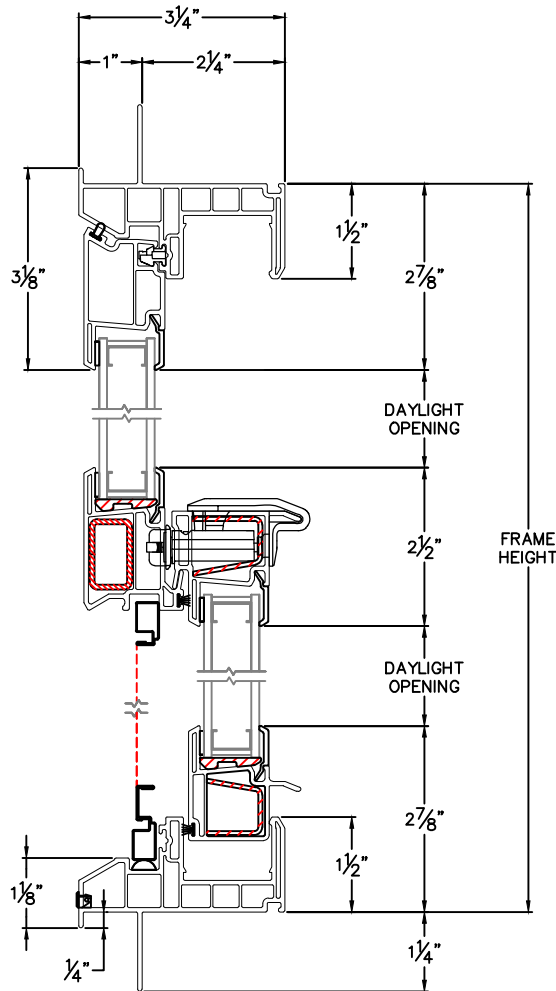
View  
Horizontal & Vertical

File Name  
8230T-01 SH

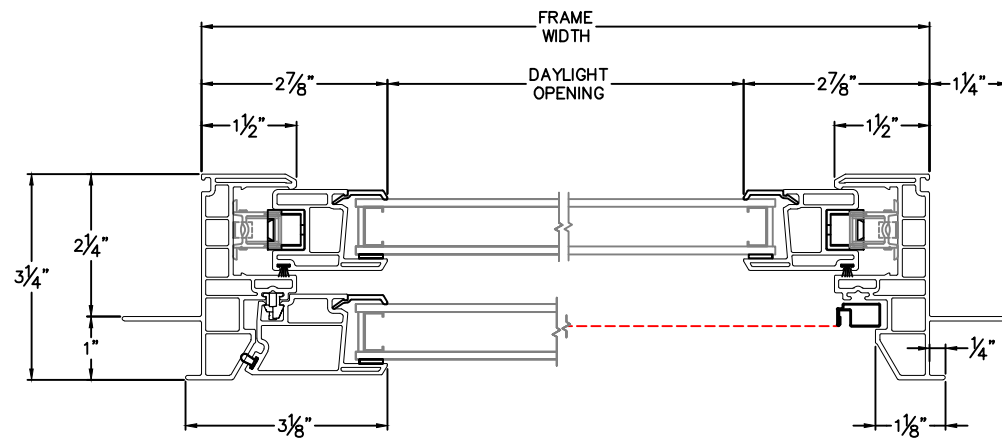
Units  
Inch

More Technical Documents can be found at [milgard.com/professionals](http://milgard.com/professionals)  
Due to continual research and development, details may be changed at any time. ©2013 Milgard Mfg.

## SINGLE HUNG SERIES 8230



HEAD & SILL



JAMBS