

**CROSS SECTION DRAWING**  
**Tuscany Inswing Door,**  
**1 7/8" Contour Z-Bar, 5 5/16" Wall Condition**



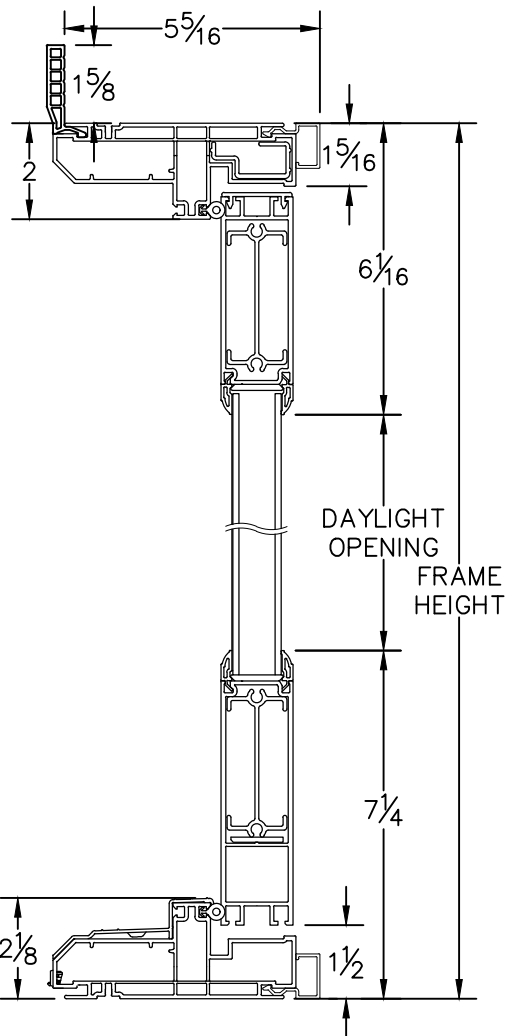
*Clearly the best.*

CAD FILE SCALE	VIEW	FILE NAME	UNITS	REVISION
NTS	HORIZONTAL & VERTICAL	Tuscany_8642_VIS_XX_5.3125in_z-bar	INCH	09/2016

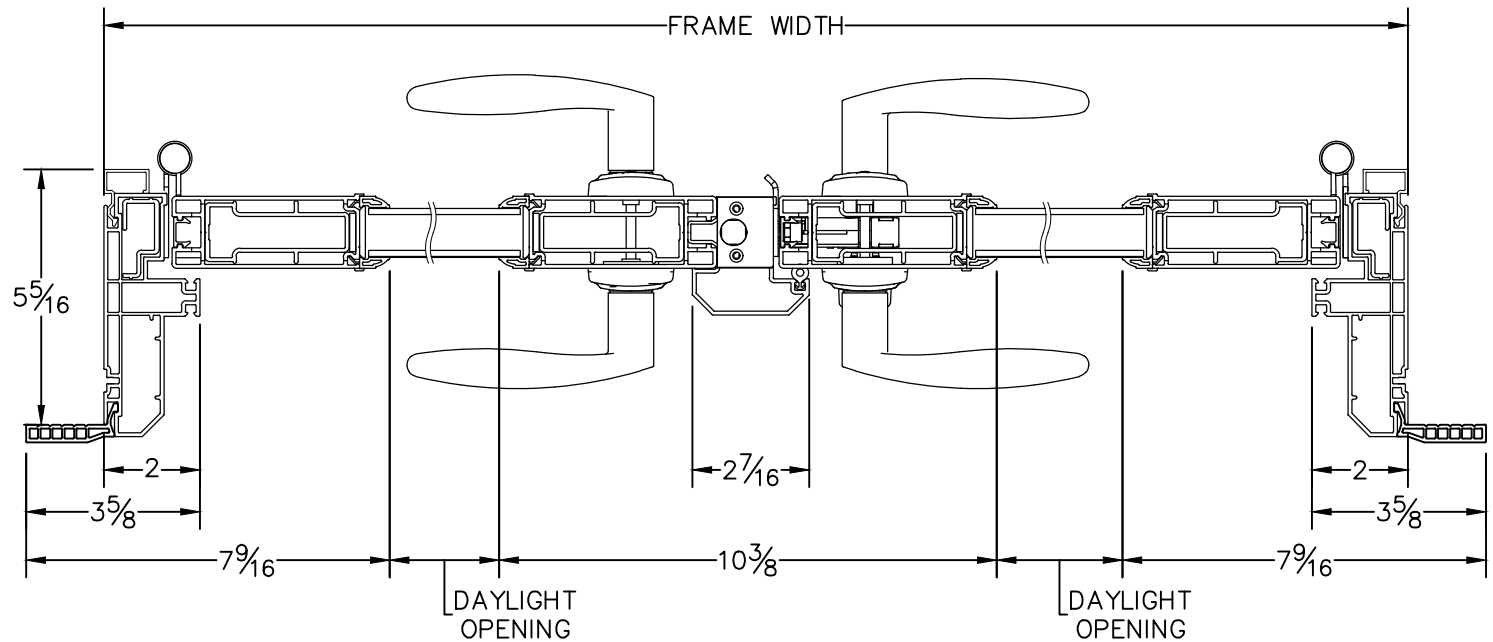
MORE TECHNICAL DOCUMENTS CAN BE FOUND AT [MILGARD.COM/PROFESSIONALS](http://MILGARD.COM/PROFESSIONALS)

DUE TO CONTINUAL RESEARCH AND DEVELOPMENT, DETAILS MAY BE CHANGED AT ANY TIME. © 2016 MILGARD MFG.

**INSWING DOOR**  
**SERIES 8642**



**HEAD & SILL**



**JAMBS**