

CROSS SECTION DRAWING
Tuscany Inswing Door with Fixed SideLites
1" Nailfin Setback, 6 1/16" Wall Condition



CAD FILE SCALE
NTS

VIEW
HORIZONTAL & VERTICAL

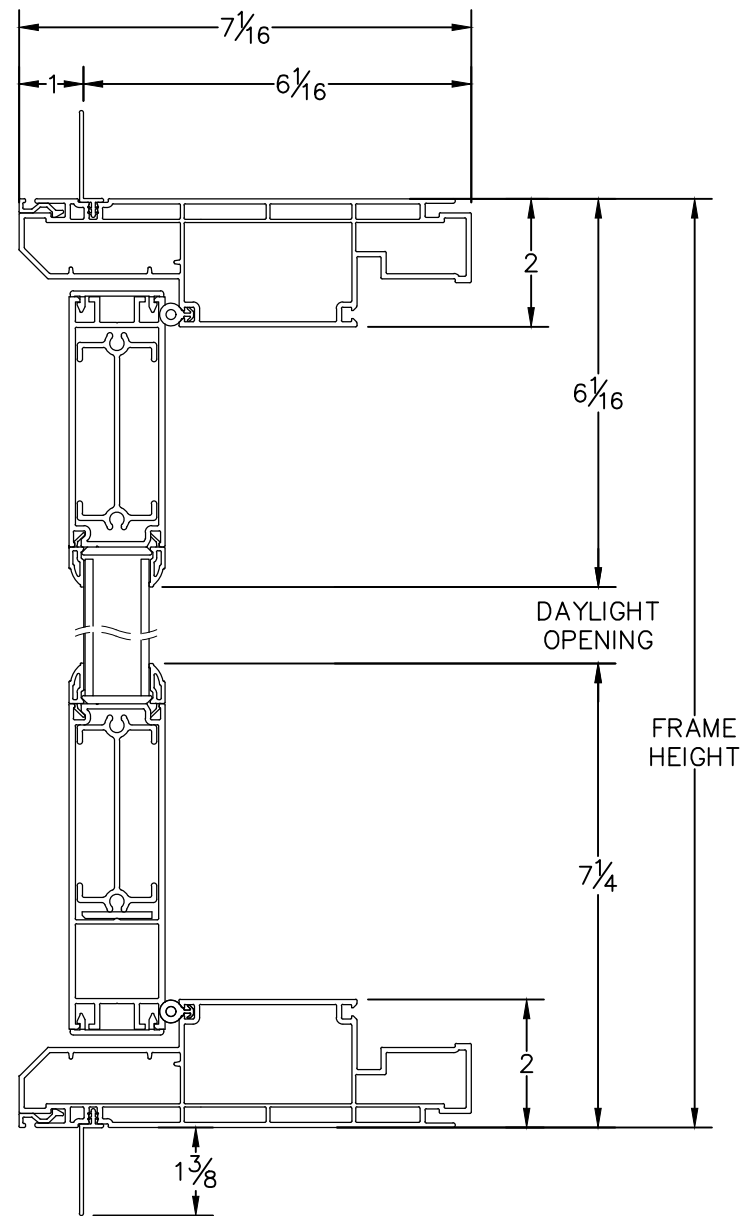
FILE NAME
Tuscany_8642T_VIS_FXXF_1in_6.0625wall

UNITS
INCH

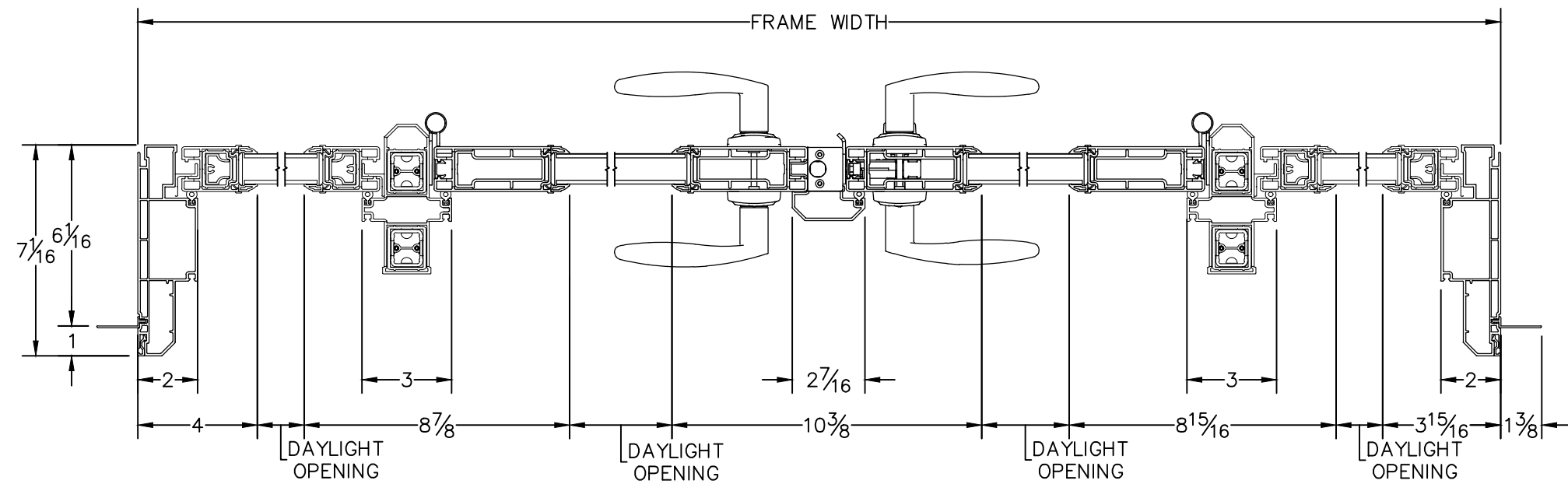
REVISION
10/2016

MORE TECHNICAL DOCUMENTS CAN BE FOUND AT MILGARD.COM/PROFESSIONALS
 DUE TO CONTINUAL RESEARCH AND DEVELOPMENT, DETAILS MAY BE CHANGED AT ANY TIME. © 2016 MILGARD MFG.

INSWING DOOR
SERIES 8642



HEAD & SILL



JAMBS