

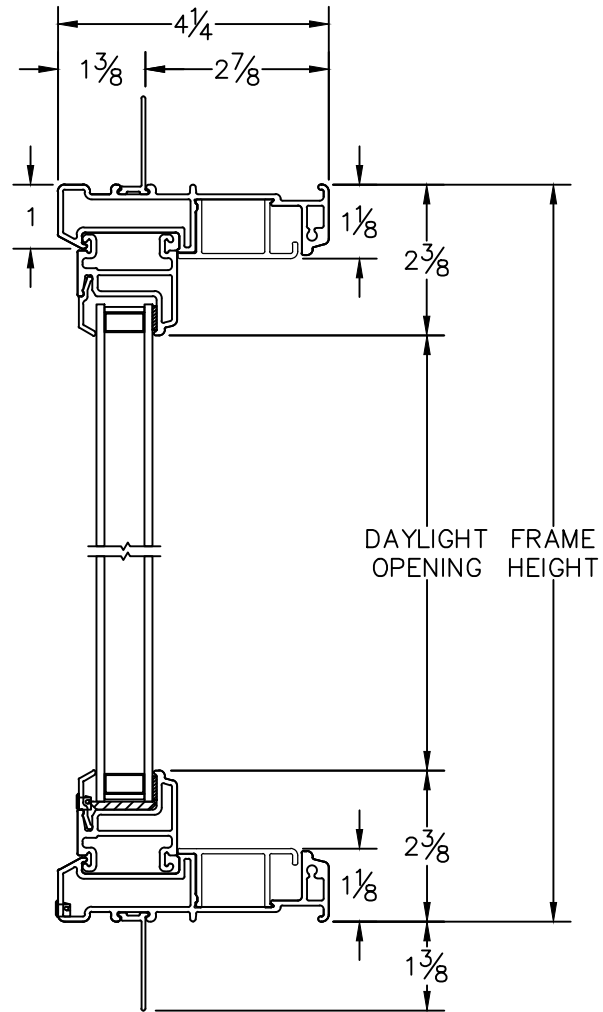
CROSS SECTION DRAWING
Ultra Picture Window Retro
1 3/8" Nailfin Setback



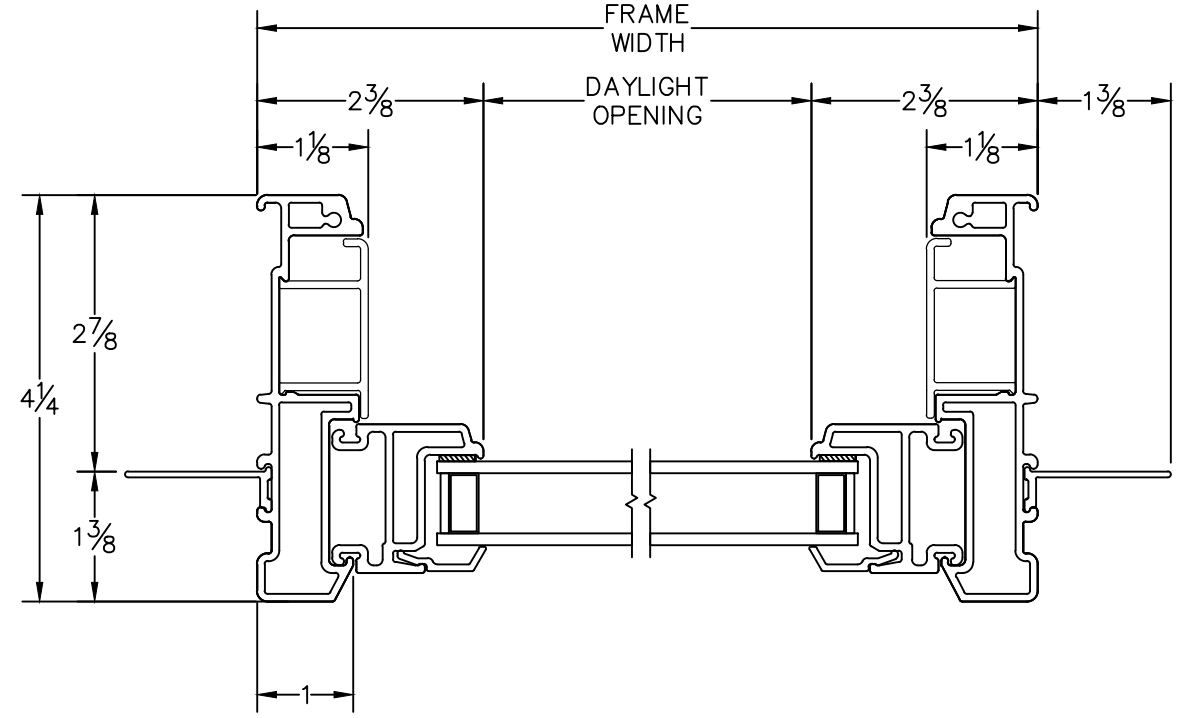
CAD FILE SCALE	VIEW	FILE NAME	UNITS	REVISION
NTS	HORIZONTAL & VERTICAL	Ultra_3371_PWR_1.375	INCH	09/2016

MORE TECHNICAL DOCUMENTS CAN BE FOUND AT MILGARD.COM/PROFESSIONALS
 DUE TO CONTINUAL RESEARCH AND DEVELOPMENT, DETAILS MAY BE CHANGED AT ANY TIME. © 2016 MILGARD MFG.

HORIZONTAL SLIDER
SERIES 3371



HEAD & SILL



JAMBS