

## Cross Section Drawing

# Ultra French Inswing Door, 2 Panel Passive / Active, Direct Glaze Transom 1 3/8" Fin Setback



*Clearly the best.*

CAD File Scale  
NTS

View  
Horizontal & Vertical

File Name  
Ultra\_3642U\_IS\_AP\_1.375in\_4.563frame\_DGT1

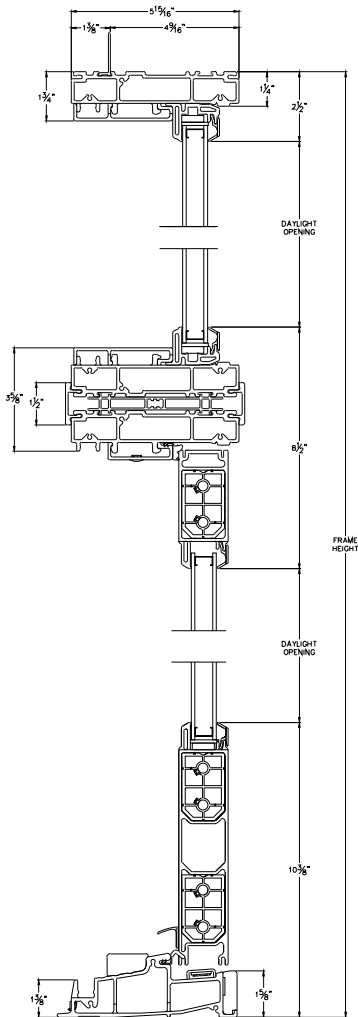
Units  
Inch

Revision  
05/2016

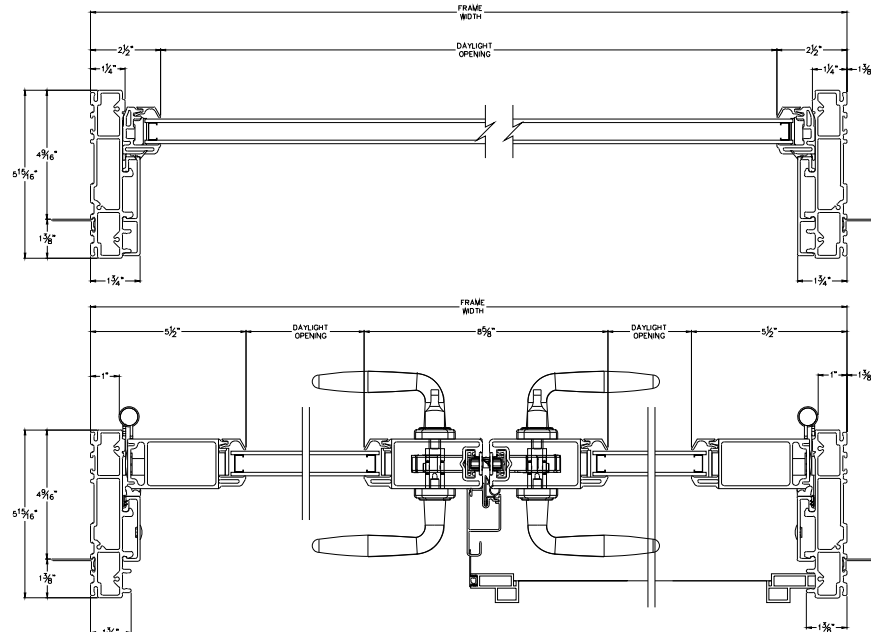
More Technical Documents can be found at [milgard.com/professionals](http://milgard.com/professionals)

Due to continual research and development, details may be changed at any time. ©2013 Milgard Mfg.

## INSWING SERIES 3642



HEAD & SILL



JAMBS